



TITAN®

OPERATION MANUAL

LAZYLINER™ PRO / ELITE

- GB -	OPERATION MANUAL	2
- D -	BETRIEBSANLEITUNG	10
- F -	MODE D'EMPLOI	18
- I -	ISTRUZIONI PER L'USO	26
- P -	INSTRUCCIONES DE USO	34
- E -	MANUAL DE PROPRIETÁRIO	42
- NL -	GEBRUIKSAANWIJZING	50
- DK -	DRIFTSVEJLENDNING	58
- S -	BRUKSANVISNING	66
- CN -	操作手册	74
- RU -	РУКОВОДСТВО ПО ЭКСПЛУАТАЦИИ	82
- RFB -	MANUAL DE OPERAÇÕES	90



Models:

Pro: 0290041H
Elite: 0290040H




Contents

Safety	2
Technical Data	3
Parts / controls identification.....	4-6
Adjustable comfort features	7
Setup	7
Operation checklist.....	7
Operation	8
Maintenance	8
Remedy in case of faults	9
Warranty	74

Safety

This manual contains information that must be read and understood before using the equipment. When you come to an area that has one of the following symbols, pay particular attention and make certain to heed the safeguard.

It is imperative that you read and heed all instructions in the operating manual for Honda motors and your Titan LazyLiner equipment.

	This symbol indicates a potential hazard that may cause serious injury or loss of life. Important safety information will follow.
	This symbol indicates a potential hazard to you or to the equipment. Important information that tells how to prevent damage to the equipment or how to avoid causes of minor injuries will follow.
	Notes give important information which should be given special attention.

Work or repairs at the electrical equipment:

These may only be carried out by a skilled electrician. No liability is assumed for incorrect installation.

Transportation and Storage

This equipment will withstand, or has been protected against, transportation and storage temperatures of -13°F (-25°C) to 131°F (+55°C) and for short periods up to 158°F (+70°C).

It has been packaged to prevent damage from the effects of normal humidity, vibration and shock.



MOVING VEHICLE HAZARD

Careless and reckless behavior causes accidents. Falling from vehicle, running into people or objects, or being struck by other vehicles may result in serious injury or death.

PREVENTION:

- When climbing onto LazyLiner, do not step on forward/reverse pedal.
- Make turns slowly and limit turns to 45° and under.
- Do not operate on slopes greater than 15°.
- Be careful when traveling on extreme declines and road pitches to prevent traction loss.
- Do not carry passengers.
- Do not tow without tow package and limit payload.
- Follow all local highway and transportation regulations.
- Do not operate the equipment without proper lighting.
- Only operate the equipment on clean and solid surfaces.



BURN HAZARD

To avoid severe burns, avoid hot equipment or fluid. Wait until equipment/fluid has cooled completely. Do not place any flammable materials (e.g. oil soaked rags) on the motor.



CARBON MONOXIDE HAZARD

Breathing carbon monoxide can cause death. Do not operate in an enclosed area.



PERSONAL PROTECTIVE EQUIPMENT

Wear appropriate protective equipment when operating or servicing equipment to help protect you from serious injury:

PREVENTION:

- Wear protective eye wear.
- Wear clothing and respirator recommended by spray material manufacturer.
- Wear steel toe shoes.
- Wear gloves.
- Wear hearing protection.



FIRE AND EXPLOSION HAZARD

Flammable fumes, such as solvent and paint fumes, in work area can ignite or explode.



PREVENTION:

- Use equipment in well ventilated area.
- Do not fill fuel tank while engine is running or hot.
- Eliminate all ignition sources when flammable fumes are present.
- Keep work area free of debris
- If there is static sparking or you feel a shock, stop operation immediately.
- Keep a fire extinguisher in work area.



STORAGE

Do not leave the LazyLiner in open air without protection, it must be stored in a dry place.



TRANSPORTATION

The LazyLiner may not be hooked up to the trailer hitch on a motor vehicle for transportation. LazyLiner may solely be transported on a flat-bed trailer or other transportation vehicle (i.e. a pickup truck) after it has been securely fastened.

Danger of crushing! Several persons are needed to on or off load LazyLiner.

LazyLiner may not be transported with a crane.

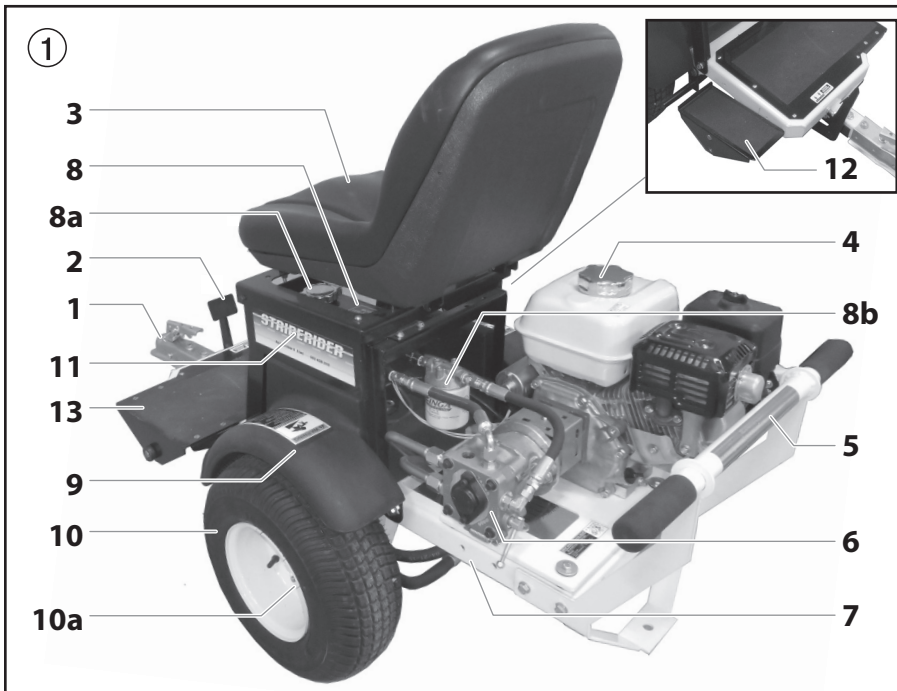


Technical Data

	LazyLiner Pro	LazyLiner Elite
Engine		
	Honda GX160, pull start	Honda GX200 electric start, 16A/200W
Engine oil type		
	SAE10-30W (0.6 l)	SAE10-30W (0.6 l)
Weight		
	118 kg	127 kg
Dimensions (L x W x H, seat in raised position)		
	145 cm x 66 cm x 107 cm	157 cm (bumper bar installed) x 74 cm x 107 cm
Maximum speed		
Forward	0-16 KM/h	0-16 KM/h
Reverse	0-11 KM/h	0-11 KM/h
Sound pressure		
	85 dB*	85 dB*
Vibration level (with attached line striping equipment)		
	< 2.5 m/s ² (right and left hand)	< 2.5 m/s ² (right and left hand)
Max. tire pressure		
	25 psi (1.7 bar)	25 psi (1.7 bar)
Construction	All steel welded construction frame and guards, engine protection bar and steel fenders with industrial powder coat	
Drive	Cast iron Hydrostatic transmission for forward and reverse operations	
	One gas pedal (forward/backward)	
	Track control drive differential	
	Double row rolling chain drive	
	Mobil 1™ 15W50 full synthetic oil (4 quarts)	
Hydraulic operating pressure		
	2700 psi (186 bar)	2700 psi (186 bar)
Operating temperature	+10°C and +40°C (+50°F and +104°F)	
Relative humidity	50%, by +40°C (+104°F) (A higher relative humidity poses no problem at lower temperatures.)	
Operating altitude	max. 3000m (9843') above sea level	
Parking brake	Manual parking brake	
Hitch	For installation on Titan and Graco line striping equipment	
Seat	Deluxe, high upholstered back with adjustable comfort control and weight sensor for safety shut off	

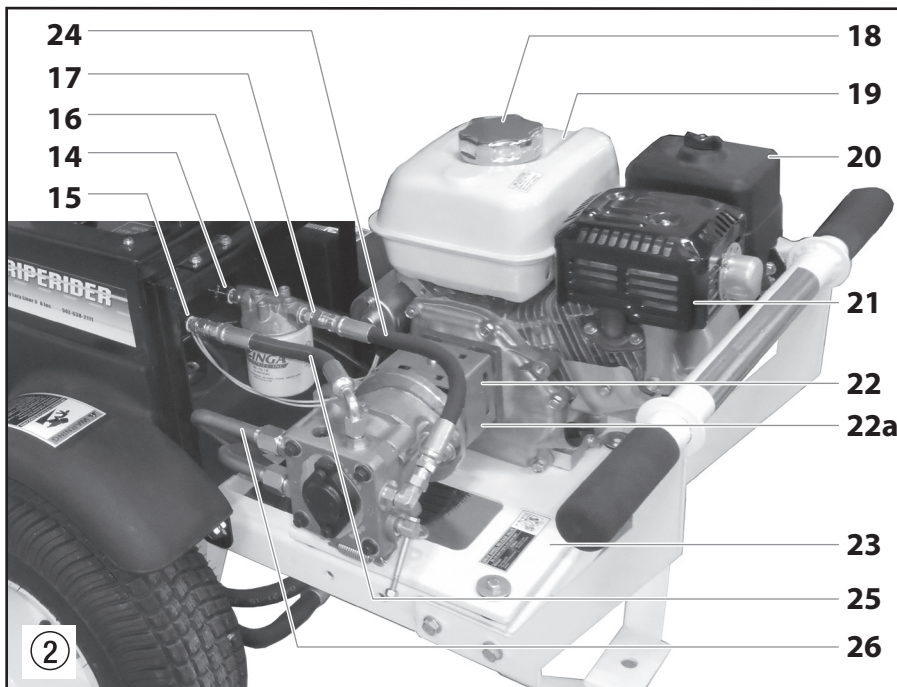
* Measured at the height of the seat position.

Parts / Control Identification



* 2413480 Carrier tray (optional accessory, not shown in photo) attaches to bumper bar above engine

#	Part #	Description	
1	290647	Coupler bracket	
2	290648	Manual brake lever	
3	290675	Seat	
	290173	Seat safety switch (not shown)	
4	0537547A	Engine (GX200, electric start shown, Elite)	
	980-331A	Engine (GX160, Pro only)	
5	2423493	Bumper bar, Honda engine (Pro only)	
	0290646Z	Bumper bar, Subaru engine (Pro only)	
6	290649	Hydraulic BDP pump	
7	290650	Main Frame	
8	290652	Hydraulic tank, 4 qt.	
	a	290678	Hydraulic tank cap
	b	290679	Hydraulic filter
9	-----	Fender	
10	290676	Wheel assembly, Elite (2)	
	290677	Wheel assembly, Pro (2)	
a	290682	Lug nuts (4 per wheel)	
11	290653	Seat frame	
12	-----	Foot pedal	
13	290656	Toe-board	

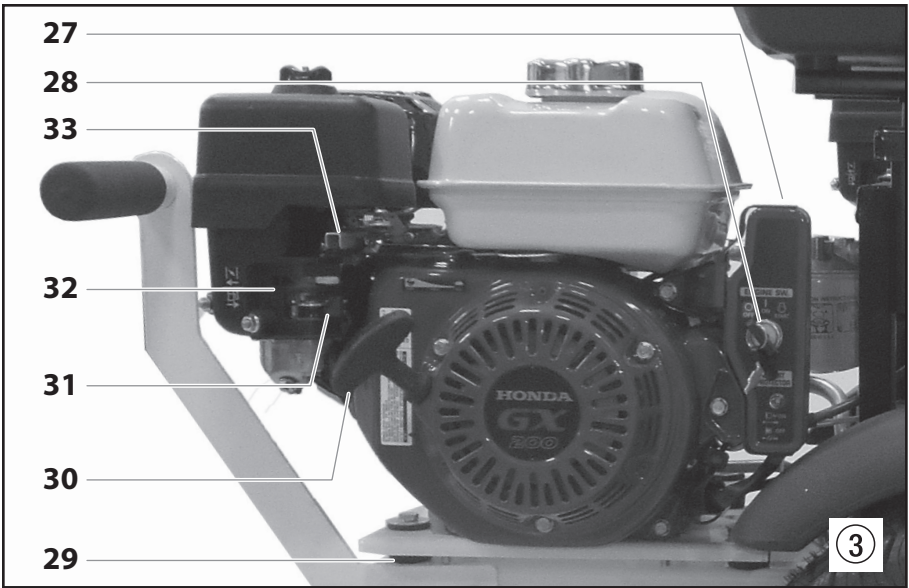


#	Part #	Description
14	290394	Nipple, 1/4" NPT male
15	290396	Elbow, 90°
16	290657	Oil filter and spin on housing
17	290395	Elbow, 90°
18	-----	Vented gas cap
19	-----	Gas tank
20	-----	Air filter
21	-----	Muffler assembly
22	290658	Aluminum pump mount housing
	a	290659
23	290660	Engine to frame mount, with 8 rubber vibration isolator bushings
24	290655	Pressure hydraulic line from filter to pump
25	290661	Return hydraulic line from BDP pump to tank
26	290662	Steel hard lines connecting wheel motor hoses to pump

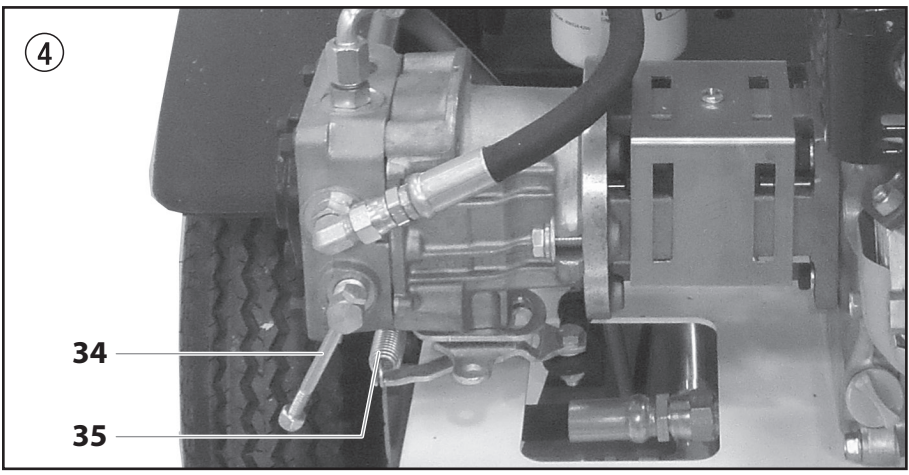


All of the listed Honda engine service parts are available only from the Honda service center.

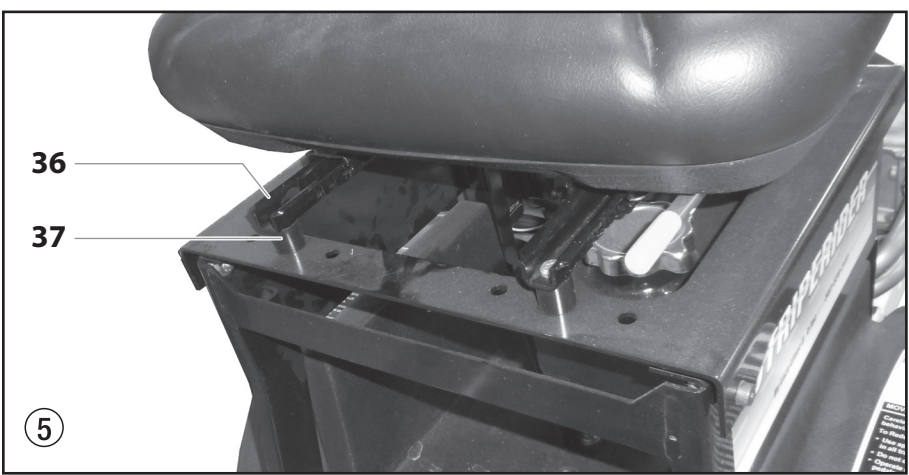
Parts / Control Identification



#	Part #	Description
27	-----	Rectifier for magneto, (Elite only). See engine manual
28	-----	Key switch for Elite (7 hp) unit
29	290663	Rubber isolator bushings for engine plate to frame
30	-----	Recoil pull start (Pro and Elite units)
31	-----	Fuel shut-off
32	-----	Choke lever
33	-----	Engine throttle, (Pro and Elite units)

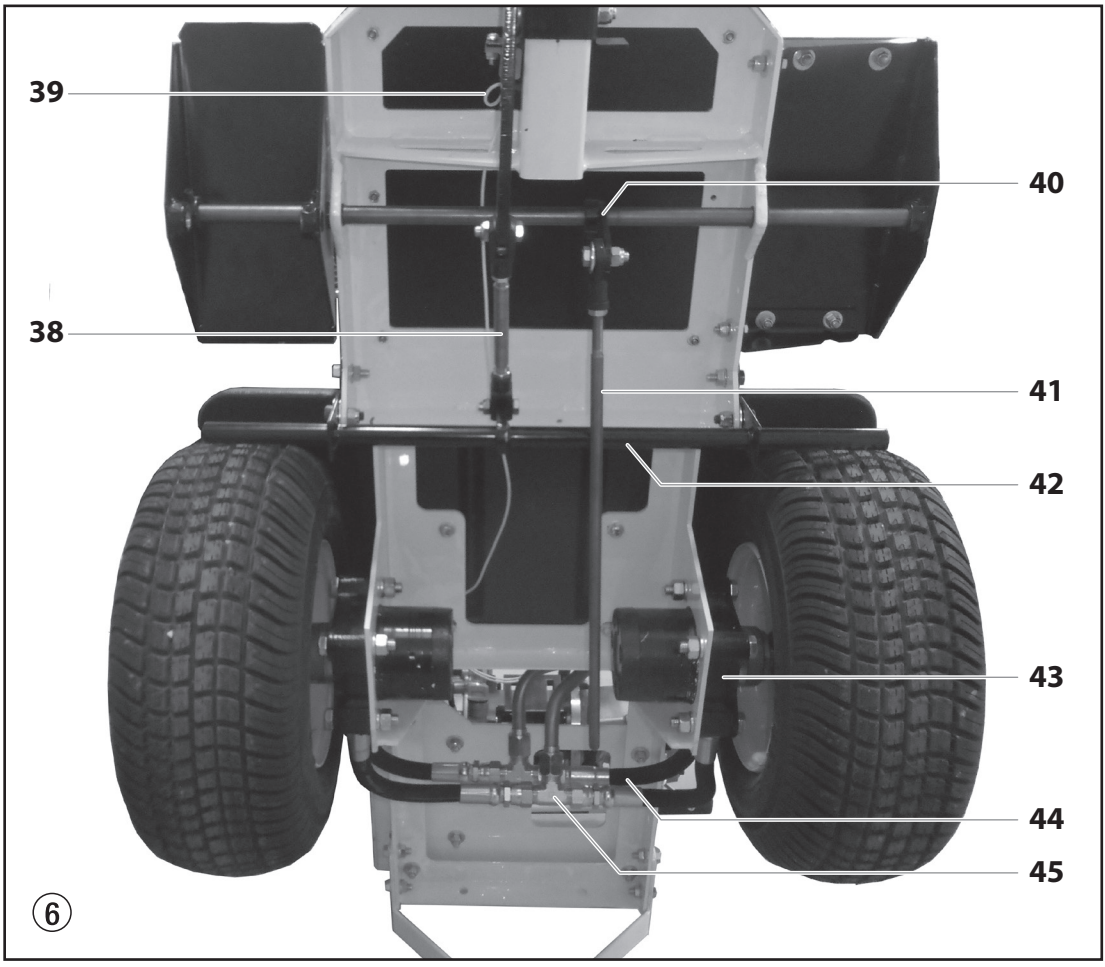


#	Part #	Description
34	-----	Hydraulic release valve, bypass. Turn clockwise to engage hydraulics to drive; loosen (counterclockwise 1/2 - 1 turn) to disengage, neutral
35	290665	RTN (return to neutral) spring and mechanism, connects to pedal linkage under frame



#	Part #	Description
36	290391	Seat adjustment bracket (2)
37	290392	Spacer (4)

Parts / Control Identification



#	Part #	Description
38	-----	Manually operated parking brake system, lower portion of item #2 which engages this system
39	290680	Wire harness, engine stop
40	290393	Connecting rod end
41	290670	Linkage rod, connects pedal shaft to RTN on BDP pump, (7/16ths OD)
42	290671	Parking brake locking bar

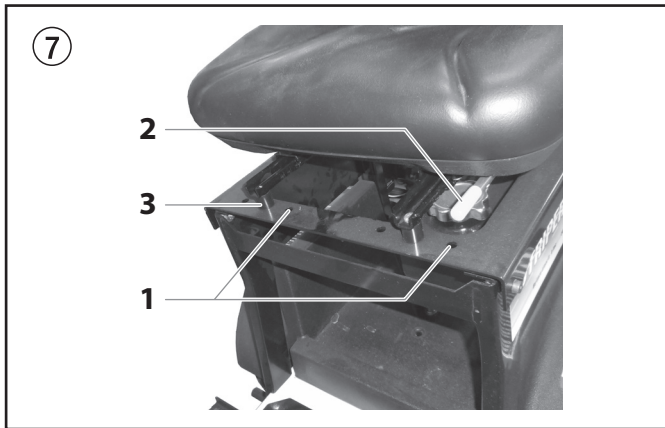
#	Part #	Description
43	290672	Dual hydraulic drive wheel motors
44	290673	Hydraulic lines connecting wheel motors to steel hard lines on pump, 4 total, two per wheel motor
45	290674	3 way male, "T" fittings to connect wheel motor lines to steel hard lines from pump
	290681	Battery cables, positive and negative (Elite only, not shown).

Adjustable comfort features

Adjustable Seat

The seat on your LazyLiner unit can be adjusted or fitted and positioned to provide you with a better comfort level for your daily operation if needed. Figure 7 shows the seat in a right side offset position.

1. For changing the left/right position of the seat, remove the nuts below the seat tracks, and align the seat tracks with a different set of holes (Fig. 7, item 1) in the seat frame. The seat can be positioned right or left side offset, or in the middle of the seat frame.
2. The seat can be adjusted back-to-front with the hand lever (2) underneath the left side of the seat. Pull the lever and adjust the seat backwards or forwards to desired position.
3. The spacers (3) can be installed or removed to adjust the seat up or down.

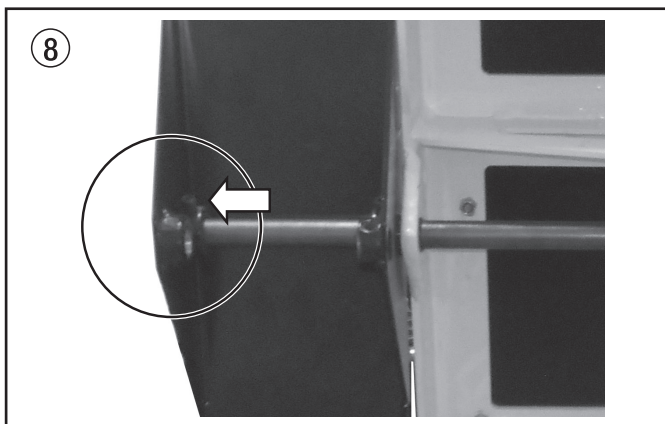


Adjustable Pedal

The gas pedal (the right pedal) on the LazyLiner can be adjusted to multiple angles as well as adjusted to an upper or lower position. Using these features can help reduce foot and ankle fatigue, or provide a little more legroom or height to help reach the pedal better.

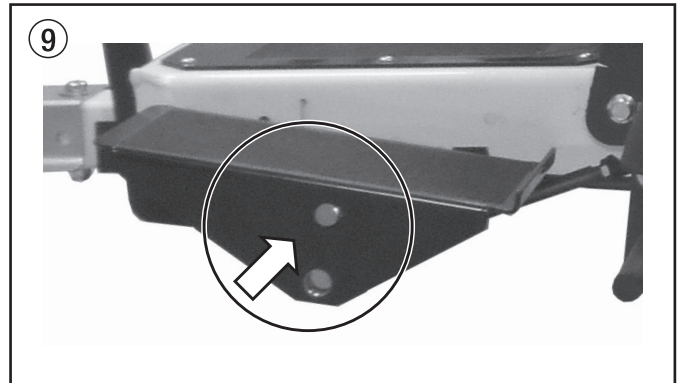
The LazyLiner is shipped with the pedal in the DOWN position. Follow these steps to adjust the position of the gas pedal.

1. Locate the two set screws underneath the pedal that attach the pedal to the shaft. Loosen these set screws using a hex wrench.



i If you plan to change the height of the pedal, completely remove the set screws. If you are just adjusting the angle of the pedal but not the height, the set screws do not need to be completely removed, just loosened.

2. While set screws are loosened/removed, reposition the pedal to desired height and angle. To put the pedal in the UP position, run the pedal shaft through the bottom hole in the pedal.



3. Replace and/or tighten the set screws to secure the pedal.



If the set screws are not sufficiently tightened, the pedals will not engage the pedal shaft, and the throttle will not operate correctly.

Setup

Install the battery (Elite only)

The LazyLiner Elite does not include a battery. One must be purchased separately prior to use in order for the electric start to work.

1. Refer to the Honda engine manual included with the LazyLiner for the appropriate battery specifications.
2. In the compartment under the adjustable seat, loosen the bolt that secures the battery bracket to the frame.
3. Install the battery and hook the battery cables to the appropriate terminals: red to positive (+) terminal; black to negative (-) terminal.
4. Secure the battery bracket to the side of the battery to hold it in place. Tighten the bracket bolt to secure.

Install the trailer hitch

1. Install the trailer hitch to the back of your line striping equipment. Follow the separate instructions included with the LazyLiner.
2. Lift the locking lever on the coupler bracket on the LazyLiner and place it over the trailer hitch. Hang the LazyLiner on the striping equipment and make sure that the hitch engages. Secure the hitch with bolt and split.

Operation Checklist

Review the pre-operation check as follows:

1. Recheck that all components are correctly installed to insure safe operation
2. Check engine oil.
3. Check transmission oil.
4. Fill fuel with non-leaded gas in tank.
5. Check tire pressure.

Operation



Prior to putting the equipment into operation, please read the instructions in the operating manual for Honda motors carefully through.

1. Check engine oil level. Refer to the supplied engine manual for recommended oil level and service. The engine normally comes pretested and filled with oil from the factory.
2. Check transmission oil level in unit by removing the fill cap on top of the hydraulic tank. Oil level should be 3/4 to 1 inch from the top of the tank.



Attention

If oil is low or if it needs to be changed, always use Mobil 1™, 15W50 full synthetic oil. Never use “hydraulic oil” in the system.

3. Remove gas cap and fill tank with regular unleaded gas, make sure fuel shut off lever is in on position. Replace the gas cap.
4. Sit on the LazyLiner or engage parking brake.
5. Start the engine:
 - a. Engage parking brake (refer to Figure 1, item 2). Push arm forward to engage the brake.
 - b. Move fuel valve to open and choke valve to closed (same on both electric start or pull start units)
 - c. Set throttle to high and engine switch to ON (if pull start unit)
 - d. Pull engine cord or engage key switch
 - e. After engine starts, move choke to run position and set throttle to desired position.



The LazyLiner unit can not be started unless the parking brake is engaged or the operator is in the seated position, If the brake is not engaged or you are not seated the Safety switch system will not allow the engine to start.

6. Grip handle bars and squeeze caster wheel release.
7. Operate pedals in either the forward motion (toe down) or in reverse (heel down) which ever is needed. Turning the units is accomplished by using the striper and releasing the caster wheel.
8. The LazyLiner will achieve desired speed (0-16 KM/h forward, 0-11 KM/h backwards) by pressing harder or lighter on the pedal assembly.

The unit will come to a complete stop (quickly) once you allow the pedals to return to center or neutral. The hydraulic pressure creates the stopping or braking feature to bring your unit to a stop.



If the LazyLiner does not move, the hydraulic release valve bypass (see Figure 4, item 34) will need to be tightened. Turn 1/2 to 1 turn clockwise until tight to engage the drive.



ALWAYS set parking brake when not operating or on LazyLiner.

Maintenance

Read below in order to know what type of maintenance should be performed on your LazyLiner at certain intervals of usage.



For detailed information about maintenance and care of the motor, please read the instructions in the operation manual for Honda motors.

Daily:

- Check engine oil level and fill as necessary.
- Check oil transmission reservoir level and fill as necessary. Oil and filter should be changed every 650-700 hours of service.
- Check and fill the gas tank with regular unleaded gas.
- Check tires and inflate to 1,7 bar (25 psi) if needed
- Wipe down equipment – Never use a water hose to wash.
- Check and clean air cleaner. Replace when necessary

After first 20 hours:

- Drain and refill engine oil with SAE 10W-30 oil. See manufacturers specs for API rating.

Weekly:

- Add a small amount of grease to ball coupler inside ball area.
- Check all hardware for integrity. Tighten any loose bolts or nuts.

Every 50 hours:

- Replace spark plug
- Inspect system for oil leakage from drive assembly.

Every 100 hours:

- Grease Axle Bearings – Moly type grease, two pumps of grease gun. Wipe excess grease off bearings.
- Drain and refill engine oil with SAE 10W-30 oil. See manufacturers specs for API rating
- Check and refill if necessary the transmission reservoir.
- Check chain tension and reset idler sprocket to tension if required. Remove transmission cover and check drive belt. Re-tension if required.
- Use air supply to remove accumulated dust inside cover.
- Rotate tires to get a more even wear and longer life span. As the tires wear, the brake assembly will need to be adjusted to ensure proper contact with the tires. Loosen the two 3/8” bolts that secure the brake assembly to the frame. Tap the brake assembly mount towards the rear of the unit 1/8 to 1/4 inch. Retighten the bolts.



Remedy in case of faults

Type of malfunction	Possible cause	Measures for eliminating the malfunction
A. Engine does not start	<ol style="list-style-type: none">1. Engine switch OFF, no gas or low oil.2. Battery empty.3. Parking brake not engaged.4. Nobody in the driver's seat, the sensor is not triggered.	<ol style="list-style-type: none">1. Consult engine manual.2. Pull the starter rope.3. Set the parking brake.4. Sit down in the driver's seat
B. Engine races to high rpm or stalls during operation	<ol style="list-style-type: none">1. Worn throttle lever, governor	<ol style="list-style-type: none">1. Consult engine manual.
C. Engine operates, LazyLiner does not move forward or reverse.	<ol style="list-style-type: none">1. Low hydraulic oil.2. The gas pedal has been incorrectly adjusted.3. The connecting rod end on the pedal cross shaft is loose.4. Parking brake is set.5. Hydraulic release valve bypass is open.	<ol style="list-style-type: none">1. Fill with hydraulic oil.2. Tighten the set screws underneath the pedals to secure to the pedal shaft.3. Make sure the connecting rod ends(see Figure 6, item 40) are secured to the dual pedal cross shaft .4. Release the parking brake.5. Close the hydraulic release valve bypass.
D. Engine operates, LazyLiner moves slowly in forward or reverse.	<ol style="list-style-type: none">1. Low hydraulic oil.2. The gas pedal has been incorrectly adjusted.3. The connecting rod ends on the dual pedal cross shaft is loose.4. Parking brake is set.5. Hydraulic release valve bypass is open.	<ol style="list-style-type: none">1. Fill with hydraulic oil.2. Tighten the set screws underneath the pedals to secure to the pedal shaft.3. Make sure the connecting rod ends (see Figure 6, item 40) are secured to the dual pedal cross shaft .4. Release the parking brake.5. Close the hydraulic release valve bypass.
E. Parking brake set, engine continues to run when operator exits LazyLiner.	<ol style="list-style-type: none">1. Defective safety switch.2. Parking brake not engaging the tires.	<ol style="list-style-type: none">1. Contact Titan Customer Service.2. Adjust parking brake per Maintenance instructions (see final bullet point, "Every 100 hours", previous page).
F. Engine misses during turns and forward and reverse changes.	<ol style="list-style-type: none">1. Engine oil low.	<ol style="list-style-type: none">1. Fill to correct oil level.
G. Engine runs for short time and stops.	<ol style="list-style-type: none">1. Fuel flow restriction.	<ol style="list-style-type: none">1. Consult engine manual.
H. LazyLiner stil moves after parking brake set.	<ol style="list-style-type: none">1. Parking brake not engaging the tires.	<ol style="list-style-type: none">1. Adjust parking brake per Maintenance instructions (see final bullet point, "Every 100 hours", previous page).

If you are still experiencing problems after having followed these steps, contact Titan Technical Service at 1-800-526-5362




Inhalt

Sicherheitsvorschriften	10
Technische Daten.....	11
Teile / Kennzeichnung von Bedienteilen.....	12-14
Einstellbare Komforteigenschaften.....	15
Installation	15
Betriebs-Checkliste	15
Betriebs.....	16
Wartung.....	17
Hilfe bei Störungen.....	17
Garantie	74

Sicherheitsvorschriften

Diese Bedienanleitung enthält Informationen, die der Benutzer vor Verwendung des Geräts gründlich durcharbeiten muss. Abschnitte, die mit den folgenden Symbolen gekennzeichnet sind, besonders sorgfältig lesen und alle Sicherheitshinweise beachten.

Lesen und beachten Sie unbedingt auch alle Anweisungen in den Betriebsanleitungen des Honda-Motors und Ihres Titan LazyLiner-Gerätes.

	Dieses Symbol verweist auf eine potenzielle Gefahr, die zum Tode oder zu schweren Verletzungen führen kann. Hier finden Sie wichtige Sicherheitsinformationen.
 Achtung	Dieses Symbol weist auf eine potenzielle Gefahr für Sie bzw. das Gerät hin. Unter diesem Symbol finden Sie wichtige Informationen, wie Sie Schäden an dem Gerät und Verletzungsgefahr vermeiden.
	Hinweise enthalten wichtige Informationen, die beachtet werden sollten.

Arbeiten oder Reparaturen an der elektrischen Ausrüstung:

Diese nur von einer Elektrofachkraft durchführen lassen. Für unsachgemäße Installation wird keine Haftung übernommen.

Transport und Aufbewahrung

Dieses Gerät hält Transport- bzw. Aufbewahrungstemperaturen von -25°C bis + 55°C, kurzzeitig auch bis zu +70°C, stand bzw. ist dagegen geschützt.

Es wurde so verpackt, dass es Beschädigungen durch die Auswirkungen von normaler Feuchtigkeit, Erschütterungen und Stößen standhält.



GEFAHR BEIM FAHREN

Sorgloses und fahrlässiges Verhalten kann zu Unfällen führen. Schwere oder tödliche Verletzungen können die Folge sein, wenn man vom Fahrzeug stürzt, Personen anfährt oder gegen andere Fahrzeuge oder Gegenstände stößt.

VORSICHTSMASSNAHMEN:

- Treten Sie nicht auf das Fahrpedal (vorwärts/rückwärts), wenn Sie auf den LazyLiner steigen.
- Nehmen Sie Kurven langsam. Fahren Sie keine Kurven über 45°.
- Setzen Sie das Gerät nicht an Hängen über 15° ein.
- Seien Sie vorsichtig bei Bergabfahrten, da die Zugkraft verloren gehen kann.
- Das Mitfahren anderer Personen ist verboten.
- Ziehen Sie keine anderen Fahrzeuge ohne Anhängerkupplung und beschränken Sie die Nutzlast.
- Beachten Sie die örtlich gültigen Straßen- und Transportvorschriften.

- Benutze Sie die Ausrüstung nicht, wenn die Beleuchtung nicht ausreichend ist.
- Das Gerät nur auf sauberen und befestigten Untergrund verwenden.



BRANDGEFAHR

Um schwere Verbrennungen zu vermeiden, darf weder heißes Material noch das Gerät berührt werden. Warten Sie, bis das Gerät bzw. das Material vollständig abgekühlt ist.

Legen Sie keine brennbaren Materialien (z.B. ölgetränkter Lappen) auf den Motor.



GEFAHR DURCH KOHLENMONOXID

Das Einatmen von Kohlenmonoxid kann zum Tod führen. Benutzen Sie daher das Gerät niemals in einem geschlossenen Raum.



SCHUTZAUSRÜSTUNG

Wenn Sie das Gerät verwenden bzw. Servicearbeiten daran durchführen, müssen Sie eine entsprechende Schutzbekleidung tragen, um sich vor schweren Verletzungen zu schützen:

VORSICHTSMASSNAHMEN:

- Schutzbrille
- Schutzkleidung und Atemschutzgerät nach den Empfehlungen des Herstellers
- Stahlkappenschuhe
- Handschuhe
- Gehörschutz



BRAND- UND EXPLOSIONSGEFAHR

Brennbare Dämpfe wie z. B. Lösungsmittel- und Lackdämpfe im Arbeitsbereich können explodieren oder sich entzünden.



VORSICHTSMASSNAHMEN:

- Das Gerät nur in gut belüfteten Bereichen einsetzen.
- Nicht bei laufendem oder heißem Motor auftanken.
- Mögliche Zündquellen beseitigen, wenn brennbare Dämpfe vorhanden sind.
- Den Arbeitsbereich frei von Abfall halten.
- Wird bei der Verwendung dieses Geräts statische Funkenbildung wahrgenommen oder ein elektrischer Schlag verspürt, ist das Gerät sofort abzuschalten.
- Im Arbeitsbereich muss immer ein Feuerlöscher griffbereit sein.



LAGERUNG

Lassen Sie den LazyLiner nicht ungeschützt im Freien stehen, sondern lagern Sie ihn an einem trockenen Ort.



TRANSPORT

LazyLiner zum Transport nicht an die Anhängerkupplung eines Kraftfahrzeuges anhängen. PowerDriver nur entsprechend gesichert auf der Ladefläche transportieren.

Quetschgefahr! LazyLiner nur mit mehreren Personen Ein- und ausladen.

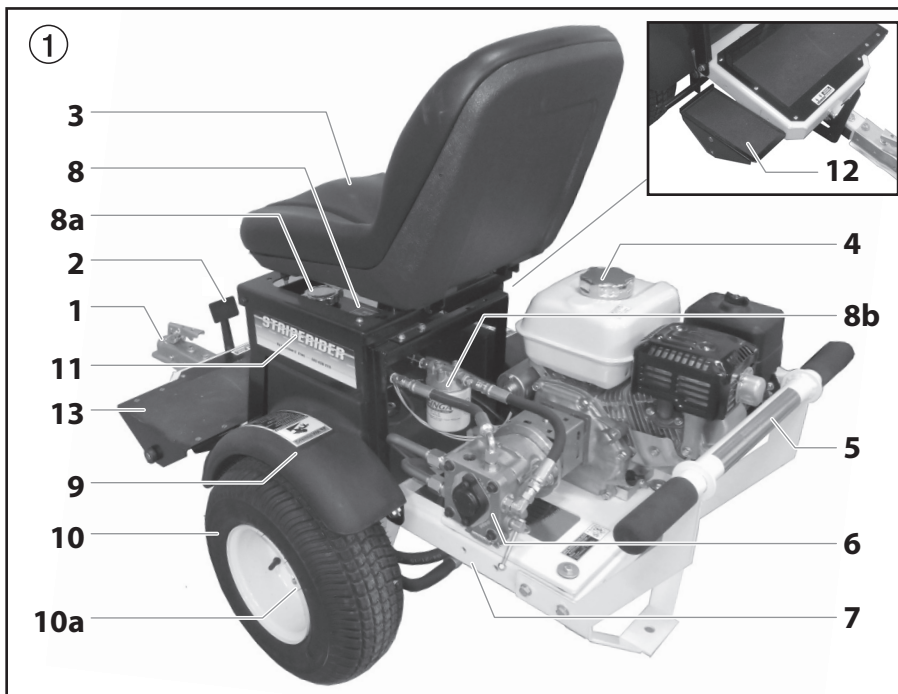
LazyLiner nicht mit einem Kran transportieren.

Technische Daten

	LazyLiner Pro	LazyLiner Elite
Motor		
	Honda, GX160, Seilzugstart	Honda, GX200, Elektrostart, 16A/200W
Motorenöltyp		
	SAE10-30W (0,6 l)	SAE10-30W (0,6 l)
Gewicht		
	118 kg	127 kg
Maße (L x B x H, Sitz in angehobener Position)		
	145 cm x 66 cm x 107 cm	157 cm (Überrollbügel montiert) x 74 cm x 107 cm
Höchstgeschwindigkeit		
Vorwärts	0-16 KM/h	0-16 KM/h
Rückwärts	0-11 KM/h	0-11 KM/h
Schalldruck		
	85 dB*	85 dB*
Vibrationswerte (mit angeschlossenem Markierungsgerät)		
	< 2,5 m/s ² (rechts und links)	< 2,5 m/s ² (rechts und links)
Max. Raddruck		
	1,7 bar	1,7 bar
Bauweise	Ganzstahl-Schweißkonstruktionsrahmen und Schutzeinrichtungen, Sturzbügel und Stahlkotflügel mit industrieller Pulverbeschichtung	
Antrieb	Hydrogetriebe aus Gusseisen für Vorwärts- und Rückwärtsfahren Ein Fahrpedal (vorwärts/rückwärts) Differenzial für Traktionskontrolle Zweireihiger Rollenkettenantrieb Mobil 1™ 15W50 vollsynthetisches Öl (4 Quarte)	
Hydraulischer Betriebsdruck		
	186 bar	186 bar
Betriebstemperatur	+10°C und +40°C (+50°F und +104°F)	
Relative Luftfeuchtigkeit	50%, bis +40°C (+104°F) (Eine höhere relative Luftfeuchtigkeit stellt bei niedrigeren Temperaturen kein Problem dar.)	
Betriebshöhe	max. 3000m über n.n.	
Feststellbremse	Manuelle Feststellbremse	
Anhängerkupplung	Für die Montage an Titan und Graco Markierungsgeräte	
Sitz	Deluxe, hoch gepolsterte Rückenlehne mit einstellbarem Komfortsteuergerät und Gewichtssensor für die Absperrung des Motors	

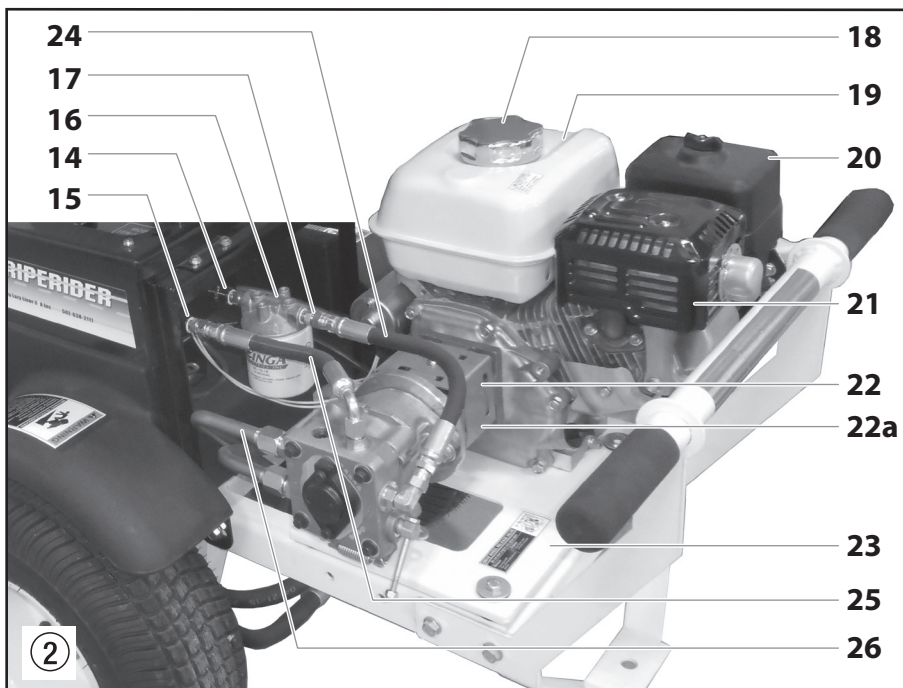
* Gemessen an der Höhe der Sitzposition.

Teile / Kennzeichnung von Bedienteilen



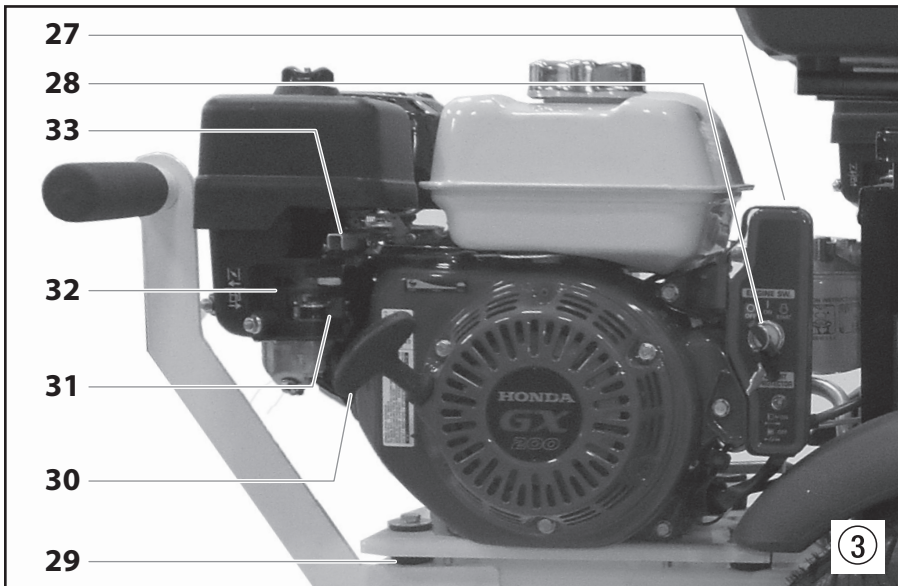
* 2413480 Die Trägerschale (optionales Zubehör, nicht im Foto dargestellt) wird an der Stoßstange über dem Motor befestigt.

#	Ord. #	Benennung	
1	290647	Kugelkopfkupplung	
2	290648	Manueller Bremshebel	
3	290675	Sitz	
	290173	Sitz safety switch	
4	0537547A	Motor (GX200, elektrischer Anlasser dargestellt, Elite)	
	980-331A	Motor (GX160, nur Pro)	
5	2423493	Überrollbügel, Honda (nur Pro)	
	0290646Z	Überrollbügel, Subaru (nur Pro)	
6	290649	Hydraulische BDP-Pumpe	
7	290650	Hauptrahmen	
8	290652	Hydraulischer Tank, 4 Qt.	
	a	290678	Hydraulischer Tankdeckel
	b	290679	Hydraulischer Filter
9	-----	Kotflügel	
10	290676	Baugruppe Rad, Elite (2)	
	290677	Baugruppe Rad, Pro (2)	
a	290682	Radmutter (4 pro Rad)	
11	290653	Sitzgestell	
12	-----	Fußpedale	
13	290656	Trittpläche	

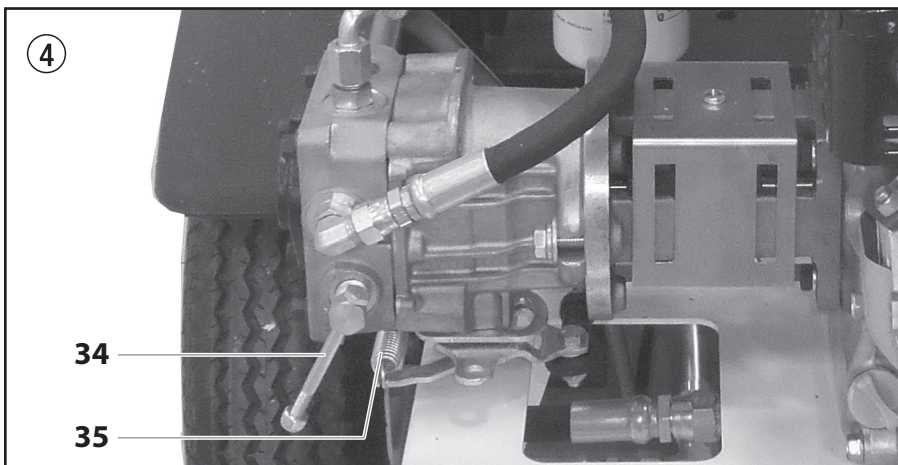


#	Ord. #	Benennung
14	290394	Stutzen, 1/4" NPT nach Außen
15	290396	Bogen, 90°
16	290657	Ölfiler und Wechselgehäuse
17	290395	Bogen, 90°
18	-----	Belüfteter Tankdeckel
19	-----	Benzintank
20	-----	Luftfilter
21	-----	Baugruppe Auspuff
22	290658	Pumpengehäuse aus Aluminium
	a	290659
23	290660	Motor am Rahmen, mit 8 Gummitüllen Schwingungsisolator
24	290655	Druckhydraulikleitung vom Filter zur Pumpe
25	290661	Rücklaufhydraulikleitung von der BDP-Pumpe zum Tank
26	290662	Stahlleitungen, die Schläuche des Radmotors mit Pumpe verbinden

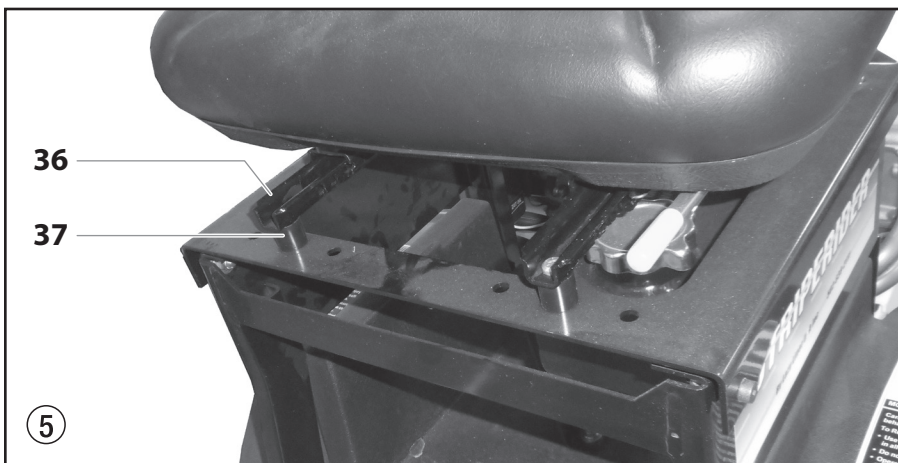
Teile / Kennzeichnung von Bedienteilen



#	Ord. #	Benennung
27	-----	Stromrichter für Zünder (nur Elite). Siehe Motorenhandbuch
28	-----	Schlüsselschalter für Elite (7 PS) Einheit
29	290663	Gummitüllen Schwingenisolator für Motorenplatte zum Rahmen
30	-----	Rückschnell-Starterzug (Pro und Elite Einheiten)
31	-----	Kraftstoff-Absperrventil
32	-----	Choke-Hebel
33	-----	Motorengashebel, (Pro und Elite Einheiten)

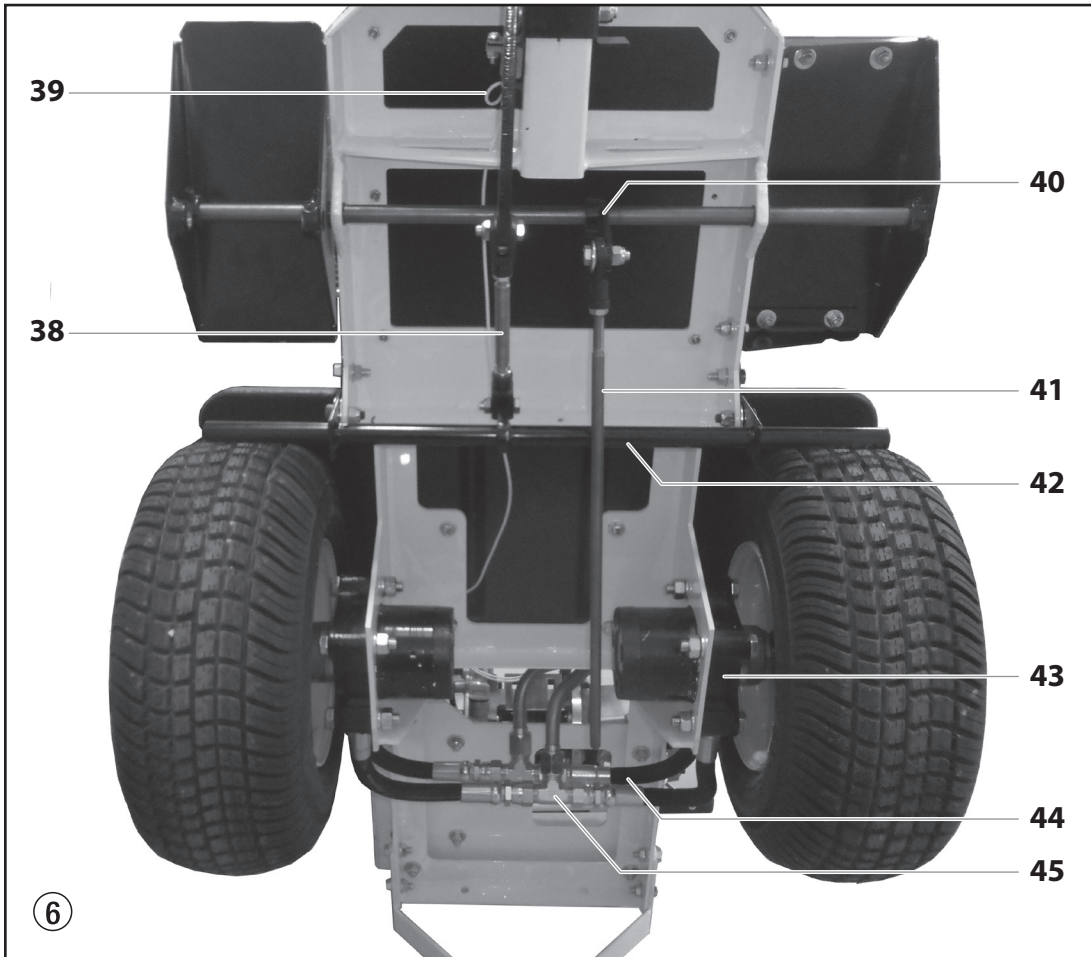


#	Ord. #	Benennung
34	-----	Hydraulisches Ablassventil, Umleitung. In Uhrzeigersinn drehen, um Hydraulik am Antrieb anzubringen; lösen, (1/2 - 1 Drehung gegen den Uhrzeigersinn) um zu trennen, neutral
35	290665	RTN (zurück zur neutralen Position) Feder und Mechanismus, Verbindung zum Untergestell des Pedalgestänges



#	Ord. #	Benennung
36	290391	Verstellbarer Bügel des Sitzes (2)
37	290392	Abstandhalter (4)

Teile / Kennzeichnung von Bedienteilen



#	Ord. #	Benennung
38	-----	Manuell betriebenes Feststellbremssystem, unterer Teil Pos. #2, das dieses System verbindet
39	290680	Kabelbaum, Maschinenstopp
40	290393	Enden der Verbindungsstange
41	290670	Verbindungsstange, verbindet Pedalwelle mit RTN an der BDP-Pumpe, (7/16ths OD)
42	290671	Verriegelungsstange Feststellbremse

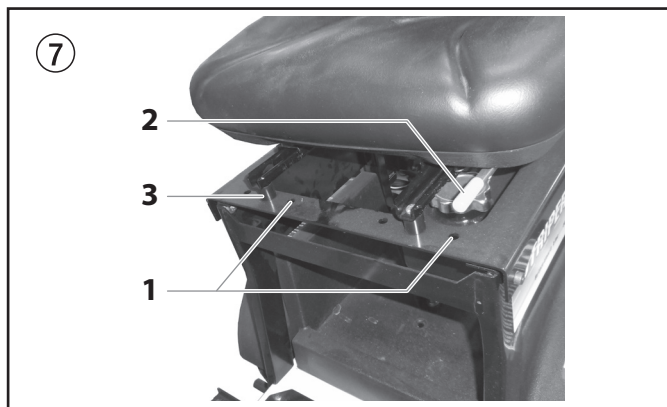
#	Ord. #	Benennung
43	290672	Duale hydraulische Fahrmotoren
44	290673	Hydraulikleitungen verbinden Radmotoren mit Stahlleitungen an der Pumpe, insgesamt 4, jeweils 2 pro Radmotor
45	290674	3-Wege-Verbindungsstifte zur Verbindung der Radmotorenleitungen zu den Stahlleitungen von der Pumpe
	290681	Batteriekabel, positiv und negativ (nur Elite, nicht dargestellt).

Einstellbare Komforteigenschaften

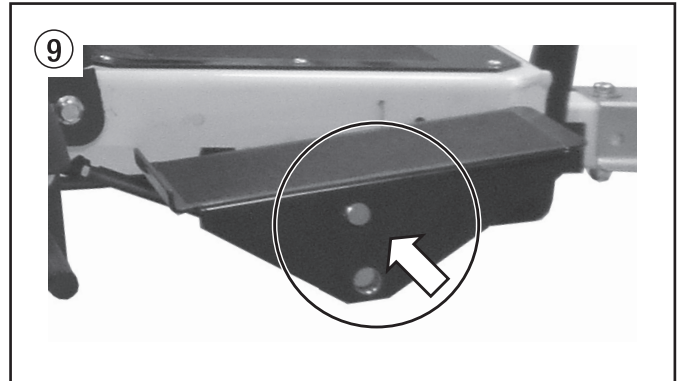
Einstellbarer Sitz

Der Sitz auf Ihrem LazyLiner kann eingestellt bzw. angepasst und so positioniert werden, dass Sie für Ihre täglich durchzuführenden Arbeiten bequemer sitzen. Abbildung 7 zeigt den Sitz in einer rechtsseitigen abgesetzten Position.

1. Um die rechte/linke Position des Sitzes zu ändern, entfernen Sie die Gewindemuttern unter den Sitzschienen und richten die Sitzschienen durch die unterschiedlichen Bohrungen (Abb. 7, Pos.1) im Sitzrahmen aus. Der Sitz kann rechts oder links in einer abgesetzten Position oder in der Mitte des Sitzrahmens ausgerichtet werden.
2. Der Sitz kann umgekehrt mit dem Handhebel (2) unter der linken Seite des Sitzes eingestellt werden. Ziehen Sie den Hebel und stellen den Sitz nach hinten oder nach vorne in die gewünschte Position ein.
3. Die Abstandhalter (3) können installiert oder entfernt werden, um den Sitz nach oben oder unten zu verstellen.



2. Lösen/entfernen Sie die Stellschrauben und stellen die Pedale in die gewünschte Höhe und den gewünschten Winkel ein. Um die Pedale in die Position NACH OBEN zu bringen, müssen Sie die Pedalwelle durch das untere Loch in der Pedale führen.



3. Bringen Sie die Stellschrauben wieder an und/oder ziehen diese fest, um die Pedale wieder zu sichern.



Wurden die Stellschrauben nicht ausreichend festgezogen, rasten die Pedalen nicht in die Pedalwelle ein und das Fahrpedal funktioniert nicht richtig.

Montage

Montage der Batterie (nur Elite)

Es wird keine Batterie mit dem LazyLiner Elite geliefert. Diese muss vor der Benutzung separat für den elektrischen Anlasser gekauft werden.

1. Bezüglich der Batteriespezifikationen siehe das Honda Motorenhandbuch, das mit dem LazyLiner mitgeliefert wird.
2. Lösen Sie den Bolzen in dem Fach unter dem verstellbaren Sitz, der die Batteriehalterung am Rahmen befestigt.
3. Montieren Sie die Batterie und verbinden Sie die Batteriekel mit den jeweiligen Klemmen: rot mit der positiven (+) Klemme; schwarz mit der negativen (-) Klemme.
4. Sichern Sie die Batteriehalterung an der Seite der Batterie, um die Batterie an der entsprechenden Stelle zu befestigen. Ziehen Sie den Bolzen der Halterung fest.

Montage der Anhängerkupplung

1. Montieren Sie Anhängerkupplung an die Rückseite Ihres Markierungsgerätes. Befolgen Sie die separaten Anweisungen, die dem LazyLiner beigelegt sind.
2. Heben Sie den Verriegelungshebel am Kupplungsbügel am LazyLiner an und bringen diesen über der Angängerkupplung an. Hängen Sie den LazyLiner an das Markierungsgerät und achten darauf, dass die Angängerkupplung einrastet. Sichern Sie die Angängerkupplung mit dem Bolzen und Splint.

Betriebs-Checkliste

Überprüfen Sie vor der Inbetriebnahme folgende Punkte:

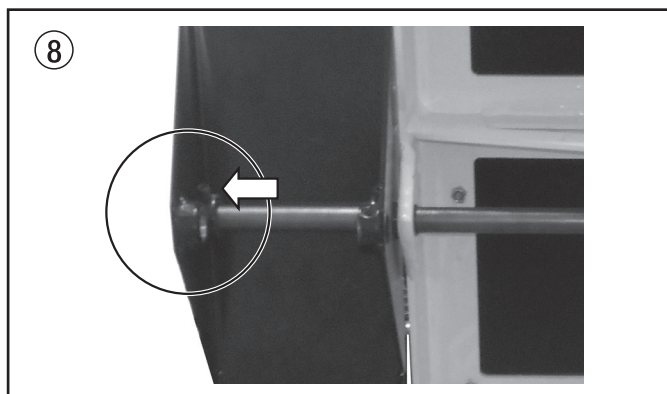
1. Überprüfen Sie, dass alle Bauteile für einen sicheren Betrieb richtig montiert sind
2. Überprüfen Sie das Motorenöl.
3. Überprüfen Sie das Getriebeöl.
4. Befüllen Sie den Tank mit bleifreiem Benzin.
5. Überprüfen Sie den Reifendruck (1,7 bar).

Verstellbare Pedale

Das Gaspedal (rechtes Pedal) am LazyLiner kann in unterschiedliche Winkel sowie in eine obere bzw. untere Stellung eingestellt werden. Mithilfe dieses Features kann eine Ermüdung des Fußes und des Knöchels verringert bzw. mehr Fußfreiheit bzw. Höhe gewährt werden, damit das Pedal besser erreicht werden kann.

Der LazyLiner wird mit dem Pedal in der UNTEREN Position geliefert. Gehen Sie wie folgt vor, um die Position des Gaspedals einzustellen.

1. Suchen Sie nach den zwei Stellschrauben unter der Pedale, die die Pedale an der Welle befestigen. Lösen Sie diese Stellschrauben mithilfe eines Sechskantschlüssels.



Wenn Sie die Höhe der Pedalen ändern möchten, müssen Sie die Stellschrauben ganz entfernen. Wenn Sie nur den Winkel der Pedale, aber nicht die Höhe einstellen möchten, müssen die Stellschrauben nicht vollständig entfernt, sondern nur gelöst werden.

Inbetriebnahme



Lesen Sie vor der Inbetriebnahme der Ausrüstung die Anweisungen im Handbuch für Honda Motoren sorgfältig durch.

1. Überprüfen Sie den Stand des Motorenöls. Bitte siehe das mitgelieferte Motorenhandbuch bezüglich des empfohlenen Ölstandes und der Wartung. Der Motor wird üblicherweise vorgetestet und mit Öl geliefert.
2. Überprüfen Sie den Getriebeölstand im Gerät, indem Sie den Einfülldeckel oben auf dem hydraulischen Tank entfernen. Der Ölstand sollte 2 cm bis 2,5 cm unterhalb des Einfülldeckels sein.



Achtung

Ist der Ölstand niedrig bzw. muss es gewechselt werden, müssen Sie stets das vollsynthetische Öl Mobil 1™, 15W50 verwenden. Verwenden Sie niemals "Hydrauliköl" im System.

3. Entfernen Sie den Tankdeckel und befüllen den Tank mit herkömmlichem bleifreiem Benzin; achten Sie darauf, dass der Absperrhahn in der entsprechenden Position ist. Tauschen Sie den Tankdeckel aus.
4. Sitzen Sie auf dem LazyLiner bzw. ziehen Sie die Feststellbremse an.
5. Lassen Sie den Motor an:
 - a. Ziehen Sie die Feststellbremse (siehe Abb. 1, Pos. 2) an. Schieben Sie den Hebel nach vorne, um die Bremse zu betätigen.
 - b. Bewegen Sie den Benzinhahn, um diesen zu öffnen und stellen das Drosselventil auf geschlossen (sowohl beim elektrischen als auch beim Seilzugstart)
 - c. Stellen Sie das Fahrpedal auf hoch ein und den Motorenschalter auf AN (wenn mit Seilzugstart)
 - d. Ziehen Sie das Motorenseil oder betätigen den Schlüsselschalter
 - e. Schieben Sie den Choke-Schalter in die Vorwärtsposition, sobald der Motor gestartet ist, und stellen Sie den Gashebel auf die gewünschte Position ein.



Der LazyLiner kann erst gestartet werden, wenn die Feststellbremse angezogen wurde bzw. der Bediener sitzt. Wenn die Bremse nicht angezogen wurde bzw. Sie nicht sitzen, lässt das Sicherheitsschaltersystem den Motor nicht starten.

6. Ergreifen Sie die Handgriffe und betätigen Sie den Hebel, um die Lenkrolle zu lösen.
7. Betätigen Sie die Pedalen, um entweder nach vorne zu fahren (Zehen nach unten) oder um rückwärtszufahren (Ferse nach unten), je nachdem, was Sie wünschen. Da Gerät kann mithilfe des Ringels und durch das Lösen der Lenkrolle gewendet werden.
8. Der LazyLiner erreicht die gewünschte Geschwindigkeit (0-16 KM/h vorwärts, 0-11 KM/h rückwärts) durch stärkeres bzw. leichteres Betätigen der Pedalen.
Das Gerät kommt vollständig zum Stillstand (schnell), sobald Sie die Pedalen in die mittlere oder neutrale Position zurücklassen. Der hydraulische Druck sorgt für das Stoppen bzw. Bremsen, um Ihr Gerät anzuhalten.



Setzt sich der LazyLiner nicht in Bewegung, muss die Umgehung des hydraulischen Ablassventils (siehe Abb. 4, Pos. 34) festgezogen werden. Drehen Sie diese um eine 1/2 bis ganze Umdrehung in Uhrzeigersinn, bis diese fest ist, um den Antrieb einzukuppeln.



Ziehen Sie IMMER die Feststellbremse an, wenn Sie den LazyLiner nicht bedienen bzw. nicht auf diesem sitzen.

Wartung

Lesen Sie hier, welche Wartungsarbeiten Sie an Ihrem LazyLiner in welchen Zeitabständen durchführen müssen.



Für detaillierte Information zur Wartung und Pflege des Motors lesen Sie bitte die Betriebsanleitung des Honda-Motors.

Täglich:

- Motorölstand überprüfen und bei Bedarf nachfüllen.
- Hydraulikölstand kontrollieren und bei Bedarf nachfüllen. Öl und Filter müssen alle 650-700 Betriebsstunden ausgewechselt werden.
- Benzintank überprüfen und mit herkömmlichen bleifreiem Benzin nachfüllen.
- Reifen überprüfen und bei Bedarf Druck auf 1,7 bar (25 psi) erhöhen.
- Maschine abwischen – Verwenden Sie niemals einen Wasserschlauch zur Reinigung.
- Luftfilter überprüfen, reinigen und bei Bedarf auswechseln.

Nach den ersten 20 Betriebsstunden:

- Motorenöl ablassen und sauberes Motorenöl des Typs SAE 10W-30 einfüllen. Siehe Herstellerhinweise bezüglich der API-Qualitätsklasse.

Wöchentlich:

- Eine kleine Menge Fett auf die Kupplungskugel und in das Innere der Kugel geben.
- Alle Beschläge auf Unversehrtheit überprüfen. Lose Bolzen oder Muttern festziehen.

Alle 50 Betriebsstunden:

- Zündkerzen auswechseln.
- System auf Öllecks im Antriebsaggregat überprüfen.

Alle 100 Betriebsstunden:

- Kette mit trockenem Motorradketten-Spray besprühen.
- Achslager schmieren - Moly Schmierfett, zwei Pumpstöße mit der Fettpresse. Überschüssiges Fett von den Lagern abwischen.
- Motoröl ablassen und sauberes Motorenöl des Typs SAE 10W-30 einfüllen. Siehe Herstellerhinweise bezüglich der API-Qualitätsklasse.
- Getriebereservoir überprüfen und bei Bedarf auffüllen.
- Kettenspannung überprüfen und Spannkettenspannrad bei Bedarf wieder nachspannen. Getriebeabdeckung entfernen und Zahnriemen überprüfen. Bei Bedarf nachspannen.
- Staub, das sich im Inneren der Abdeckung angesammelt hat ist durch die Zuführung von Luft zu beseitigen.
- Drehen Sie die Reifen, um eine gleichmäßigere Abnutzung und eine längere Lebensdauer zu erreichen. Da die Reifen sich abnutzen, müssen die Bremsen eingestellt werden, um einen guten Kontakt mit den Rädern zu haben. Lösen Sie die beiden 3/8" Bolzen, die die Bremsen am Rahmen befestigen. Kippen Sie die Halterung der Bremsen um 3-6 mm in Richtung der Rückseite des Gerätes. Ziehen Sie die Bolzen wieder fest.

Hilfe bei Störungen

Art der Störung	Mögliche Ursache	Maßnahme zur Behebung der Störung
A. Motor lässt sich nicht starten.	<ol style="list-style-type: none"> 1. Motorschalter steht auf AUS, kein Benzin im Tank oder Ölstand zu niedrig. 2. Batterie leer 3. Feststellbremse nicht angezogen. 4. Fahrersitz ist unbesetzt, Sensor nicht ausgelöst 	<ol style="list-style-type: none"> 1. Bitte im Motorenhandbuch nachschlagen. 2. Starterseil ziehen 3. Ziehe Sie die Feststellbremse an. 4. Auf den Fahrersitz steigen
B. Motor dreht sehr hoch oder stirbt beim Betrieb ab.	<ol style="list-style-type: none"> 1. Gashebel, Drehzahlregler defekt 	<ol style="list-style-type: none"> 1. Bitte im Motorenhandbuch nachschlagen.
C. Motor läuft, LazyLiner fährt aber weder vorwärts noch rückwärts.	<ol style="list-style-type: none"> 1. Hydrauliköl-Pegelstand zu niedrig. 2. Das Fahrpedal wurde falsch eingestellt. 3. Die verbindenden Stangenköpfe an der Querwelle der dualen Pedale sind locker. 4. Feststellbremse angezogen. 5. Hydraulische Ablassventilumgehung ist geöffnet. 	<ol style="list-style-type: none"> 1. Hydrauliköl nachfüllen. 2. Ziehen Sie die Schrauben unter den Pedalen fest, um die Pedalwelle zu sichern. 3. Achten Sie drauf, dass die verbindenden Stangenköpfe (siehe Abb. 6, Pos. 40) an der Querwelle der dualen Pedale festgezogen sind. 4. Lösen Sie die Feststellbremse. 5. Schließen Sie die Ablassventilumgehung.
D. Motor läuft, LazyLiner fährt aber nur langsam vorwärts und rückwärts.	<ol style="list-style-type: none"> 1. Hydrauliköl-Pegelstand zu niedrig. 2. Das Fahrpedal wurde falsch eingestellt. 3. Die verbindenden Stangenköpfe an der Querwelle der dualen Pedale sind locker. 4. Feststellbremse angezogen. 5. Hydraulische Ablassventilumgehung ist geöffnet. 	<ol style="list-style-type: none"> 1. Hydrauliköl nachfüllen. 2. Ziehen Sie die Schrauben unter den Pedalen fest, um die Pedalwelle zu sichern. 3. Achten Sie drauf, dass die verbindenden Stangenköpfe (siehe Abb. 6, Pos. 40) an der Querwelle der dualen Pedale festgezogen sind. 4. Lösen Sie die Feststellbremse. 5. Schließen Sie die Ablassventilumgehung.
E. Wurde die Feststellbremse angezogen, läuft der Motor weiter, wenn Bediener vom LazyLiner absteigt.	<ol style="list-style-type: none"> 1. Sicherheitsschalter defekt. 2. Feststellbremse greift nicht an den Reifen. 	<ol style="list-style-type: none"> 1. Titan Service kontaktieren. 2. Feststellbremse mithilfe der Wartungsanweisungen einstellen (siehe letzten Aufzählungspunkt, "Alle 100 Stunden", vorherige Seite).
F. Motor setzt in Kurven sowie beim Wechsel von Vorwärts- auf Rückwärtsfahren und umgekehrt aus.	<ol style="list-style-type: none"> 1. Niedriger Motorölstand. 	<ol style="list-style-type: none"> 1. Nachfüllen, um den Ölstand zu korrigieren.
G. Motor läuft kurze Zeit und schaltet dann ab.	<ol style="list-style-type: none"> 1. Behinderung des Kraftstoffflusses. 	<ol style="list-style-type: none"> 1. Bitte im Motorenhandbuch nachschlagen.
H. LazyLiner bewegt sich immer noch nach dem Anziehen der Feststellbremse.	<ol style="list-style-type: none"> 1. Feststellbremse greift nicht an den Reifen. 	<ol style="list-style-type: none"> 1. Feststellbremse mithilfe der Wartungsanweisungen einstellen (siehe letzten Aufzählungspunkt, "Alle 100 Stunden", vorherige Seite).

Konnte der Fehler nicht behoben werden, wenden Sie sich bitte an den Titan Service.




Contenu

Prescriptions de sécurité	18
Caractéristiques techniques.....	19
Identification des pièces/commandes	20-22
Caractéristiques de confort réglable.....	23
Montage	23
Liste de vérification pour le fonctionnement	23
Fonctionnement.....	24
Entretien	25
Dépannage	25
Garantie	74

Prescriptions de sécurité

Veillez lire et être sûr de comprendre toutes les informations contenues dans ce manuel avant d'utiliser l'appareil. Lorsque vous pénétrez dans une zone qui contient les symboles suivants, soyez particulièrement vigilant et vérifiez que les systèmes de sécurité sont bien installés.

Il est impératif de lire et de suivre toutes les directives du mode d'emploi concernant les moteurs Honda et votre équipement LazyLiner de Titan.

	Ce symbole indique un risque potentiel pouvant entraîner des blessures graves ou même mortelles. Vous trouverez ci-après d'importantes consignes de sécurité.
 Attention	Ce symbole indique un risque potentiel pour vous ou pour l'appareil. D'importantes informations sur la manière d'éviter tout dommage de l'équipement ou d'éviter des blessures légères sont indiquées ci-après.
	Les notes contiennent des informations qui doivent être consciencieusement respectées.

Travaux et réparations sur l'équipement électrique:

Faire effectuer ces interventions uniquement par un électricien. Nous déclinons toute responsabilité dans le cas d'une installation incorrecte.

Transport et entreposage

Cet équipement résistera aux températures de transport et d'entreposage entre -25°C et +55°C et jusqu'à +70°C pour des périodes courtes, ou il est protégé pour résister à ces températures.

Son emballage prévient les dommages des effets de l'humidité, de la vibration et des coups normaux.



DANGER DU VÉHICULE EN MOUVEMENT

Les comportements imprudents et dangereux causent des accidents. Tomber du véhicule, heurter des gens ou des objets ou être frappé par d'autres véhicules peut causer des blessures graves ou la mort.

PRÉVENTION :

- Lorsque vous montez sur le LazyLiner, n'appuyez pas sur la pédale de marche avant-arrière.
- Assurez-vous de tourner lentement et limiter les virages à 45 ° ou moins.
- Ne pas manœuvrer le LazyLiner sur des pentes de plus de 15 °.
- Faites attention lorsque vous vous déplacez sur des descentes extrêmes et des inclinaisons de la route afin de prévenir la perte de traction.
- Ne transportez pas de passagers.
- Ne remorquez pas sans la trousse de remorquage et limitez la charge.

- Suivez toutes les lois locales sur les autoroutes et le transport.
- Ne faites pas fonctionner l'équipement sans l'éclairage approprié.
- Manœuvrer l'équipement uniquement sur des surfaces propres et solides.



DANGER DE BRÛLURE

Afin d'éviter les brûlures graves, évitez l'équipement ou les fluides chauds. Attendez que l'équipement/les fluides se refroidissent complètement.

Ne pas placer de matériaux inflammables (p. ex. chiffons trempés d'huile) sur le moteur.



DANGER DE MONOXYDE DE CARBONE

Respirer du monoxyde de carbone peut occasionner la mort. Ne pas manœuvrer le LazyLiner dans un espace clos.



ÉQUIPEMENT DE PROTECTION INDIVIDUELLE

Portez l'équipement de protection approprié lorsque vous manipulez l'équipement ou en faites l'entretien afin de vous protéger contre des blessures graves :

PRÉVENTION :

- lunette de protection;
- vêtements et appareil respiratoire recommandés par le fabricant;
- chaussures à embout d'acier;
- gants;
- protection de l'ouïe.



DANGER D'INCENDIE OU D'EXPLOSION

Les émanations inflammables, telles que les émanations de solvant et de peinture, dans une zone de travail peuvent s'enflammer ou exploser.



PRÉVENTION :

- Servez-vous de l'équipement dans un endroit bien aéré.
- Ne faites jamais le plein lorsque le moteur est en marche ou chaud.
- Éliminez toutes les sources d'inflammation en présence d'émanations inflammables.
- Gardez la zone de travail exempt de débris
- S'il y a production d'étincelles statiques ou si vous ressentez un choc, arrêtez le fonctionnement immédiatement.
- Gardez un extincteur dans la zone de travail.



ENTREPOSAGE

Ne pas laisser le LazyLiner en plein air sans protection. Il doit être entreposé dans un endroit sec.



TRANSPORT

Il ne faut pas raccorder le LazyLiner au dispositif d'attelage de remorque sur un véhicule motorisé aux fins de transport. Le LazyLiner peut uniquement être transporté par un transporteur de marchandises à fond plat en s'assurant qu'il est bien attaché.

Risque d'écrasement! Il faut plusieurs personnes pour charger ou décharger le LazyLiner.

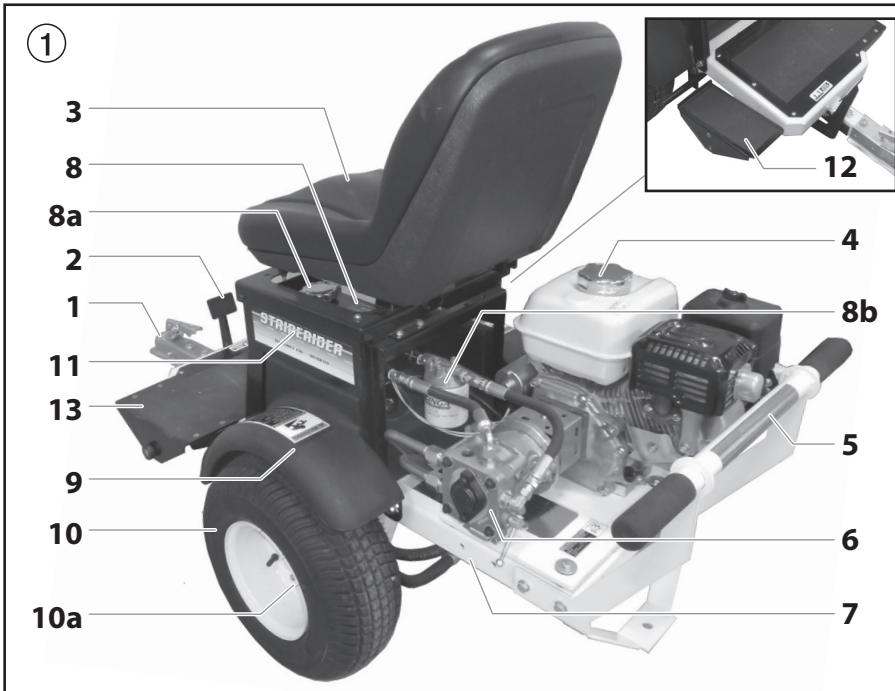
Le LazyLiner ne doit pas être transporté par une grue.

Caractéristiques techniques

	LazyLiner Pro	LazyLiner Elite
Moteur	Honda GX160, cordon de démarrage	Honda GX200, démarreur électrique, 16 A/200 W
Type d'huile de moteur	SAE10-30W (0,6 l)	SAE10-30W (0,6 l)
Poids	118 kg	127 kg
Dimensions (long. x larg. x haut., siège en position relevé)	145 cm x 66 cm x 107 cm	157 cm (parechoc installé) x 74 cm x 107 cm
Vitesse maximum		
Marche avant	0-16 km/h	0-16 km/h
Marche arrière	0-11 km/h	0-11 km/h
Pression acoustique	85 dB*	85 dB*
Niveau de vibration (avec l'équipement pour peindre les lignes)	< 2,5 m/s ² (main droite et gauche)	< 2,5 m/s ² (main droite et gauche)
Pression de pneu maximum	1,7 bar	1,7 bar
Construction	Châssis et dispositifs de sécurité en acier soudé, barre de protection du moteur et garde-boues en acier avec un revêtement en poudre industrielle	
Entraînement	Transmission hydrostatique en fonte pour la marche avant et arrière	
	Accélérateur (marche avant/arrière)	
	Différentiel du mécanisme de commande d'entraînement de la piste	
	Chaîne à galets d'entraînement double	
	Pétrole synthétique 15W50 Mobil 1™ (4 pintes)	
Pression de service hydraulique	186 bar	186 bar
Température de fonctionnement	+10 °C et +40 °C (+50 °F et +104 °F)	
Humidité relative	50 % à +40 °C (+104 °F) (une humidité plus élevée ne pose pas de difficultés à des températures plus basses.)	
Altitude de fonctionnement	3000 m (9843 pi) max. au-dessus du niveau de la mer	
Frein à main	Frein à main manuel	
Accouplement	À installer sur l'équipement Titan et Graco pour peindre des lignes	
Siège	Siège rembourré de luxe à dossier haut avec commande de confort réglable et arrêt de sécurité en fonction du capteur de poids	

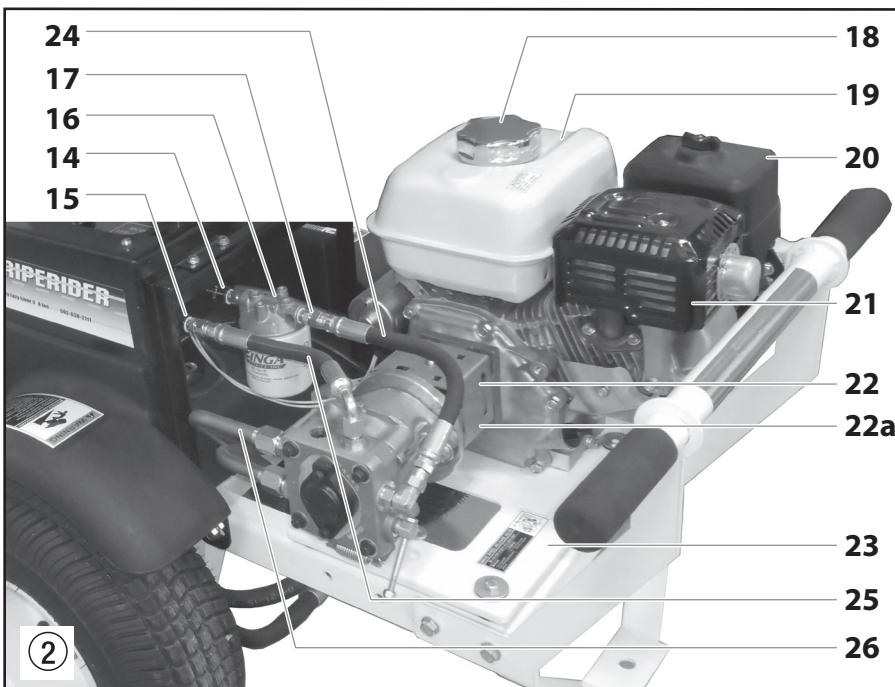
* Mesuré à la hauteur du siège.

Identification des pièces/commandes



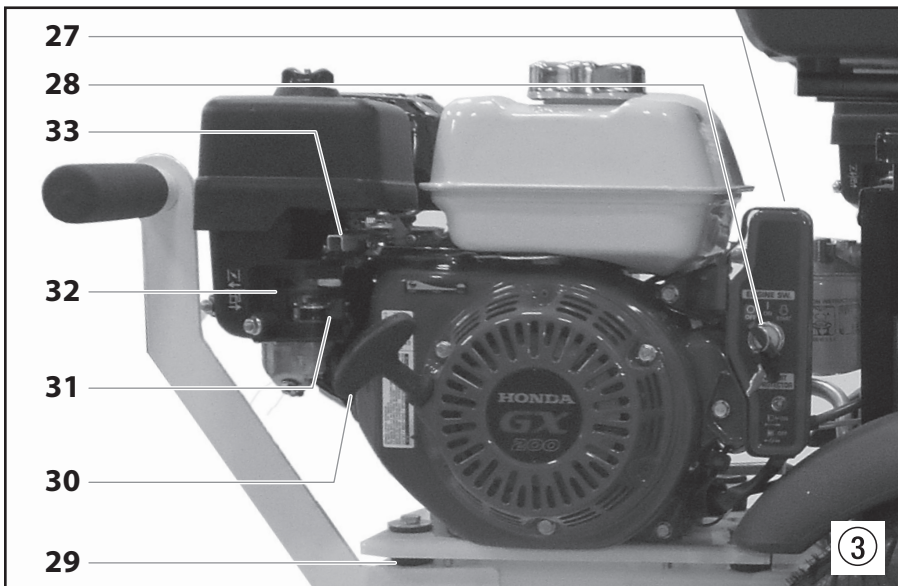
* 2413480 Le plateau de transport (accessoire en option, non illustré sur la photo) se fixe à la barre de pare-chocs au-dessus du moteur.

#	N° de pièce	Description	
1	290647	Support du coupleur	
2	290648	Levier de frein manuel	
3	290675	Siège	
	290173	Siège safety switch	
4	0537547A	Moteur (GX200, démarreur électrique illustré, Elite)	
	980-331A	Moteur (GX160, modèle Pro uniquement)	
5	2423493	Pare-choc , Honda (modèle Pro uniquement)	
	0290646Z	Pare-choc , Subaru (modèle Pro uniquement)	
6	290649	Pompe BDP hydraulique	
7	290650	Châssis principal	
8	290652	Réservoir hydraulique, 4 pintes	
	a	290678	Couvercle du réservoir hydraulique
	b	290679	Filtre hydraulique
9	-----	Défense	
10	290676	Ensemble de roues, modèle Elite (2)	
	290677	Ensemble de roues, modèle Pro (2)	
a	290682	Écrous de roue (4 par roue)	
11	290653	Châssis de siège	
12	-----	Pédale	
13	290656	Planche de pied	

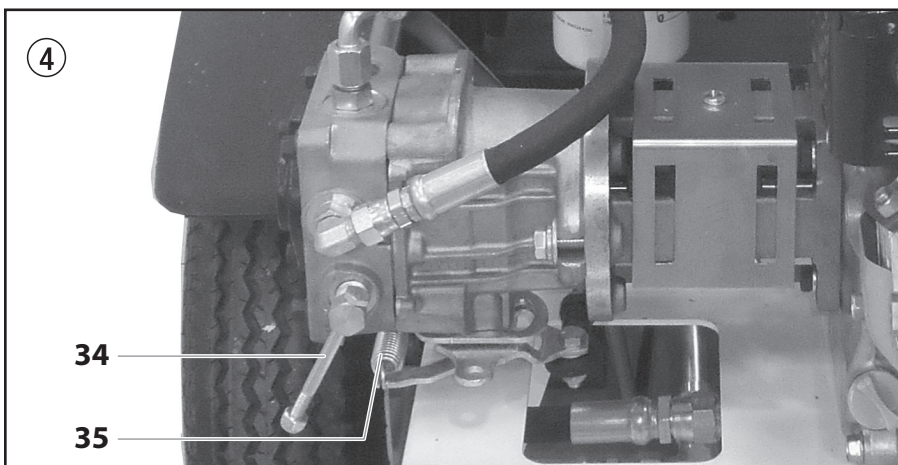


#	N° de pièce	Description
14	290394	Raccord fileté mâle, PNT de 0,625 cm
15	290396	Coude, 90°
16	290657	Filtre à huile et corps à visser
17	290395	Coude, 90°
18	-----	Bouchon de réservoir à essence ventilé
19	-----	Réservoir d'essence
20	-----	Filtre à air
21	-----	Ensemble de silencieux
22	290658	Logement du support de pompe en aluminium
	a	290659
23	290660	Montage du moteur au châssis, avec huit bagues antivibrateurs en caoutchouc
24	290655	Conduite hydraulique de pression du filtre à la pompe
25	290661	Conduite hydraulique de retour de pompe BDP au réservoir
26	290662	Lignes dures en acier raccordant les tuyaux du moteur-roue à la pompe

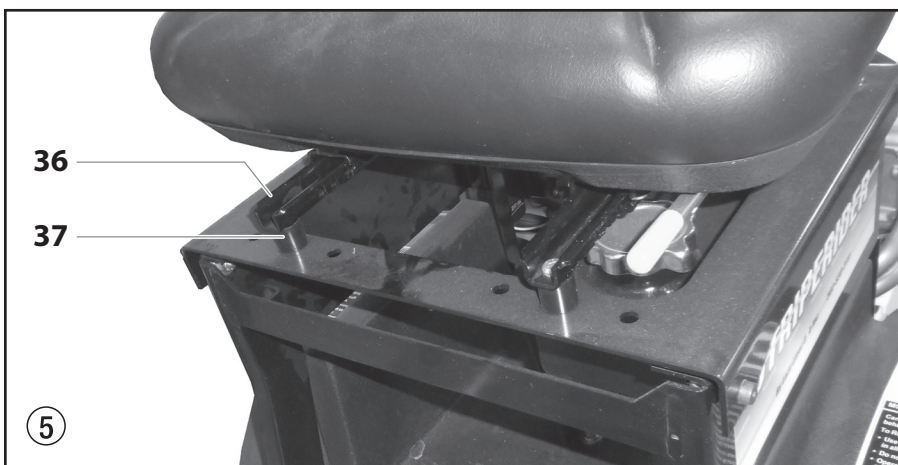
Identification des pièces/commandes



#	N° de pièce	Description
27	-----	Redresseur pour la magnéto (modèle Elite uniquement). Voir le manuel du moteur
28	-----	Interrupteur à clé pour le modèle Elite (7 hp)
29	290663	Bagues antivibrateurs en caoutchouc entre la plaque moteur et le châssis
30	-----	Cordon de démarrage à rappel (appareils Pro et Elite)
31	-----	Soupape d'arrêt de carburant
32	-----	Levier du volet d'air
33	-----	Étrangleur du moteur (appareils Pro et Elite)

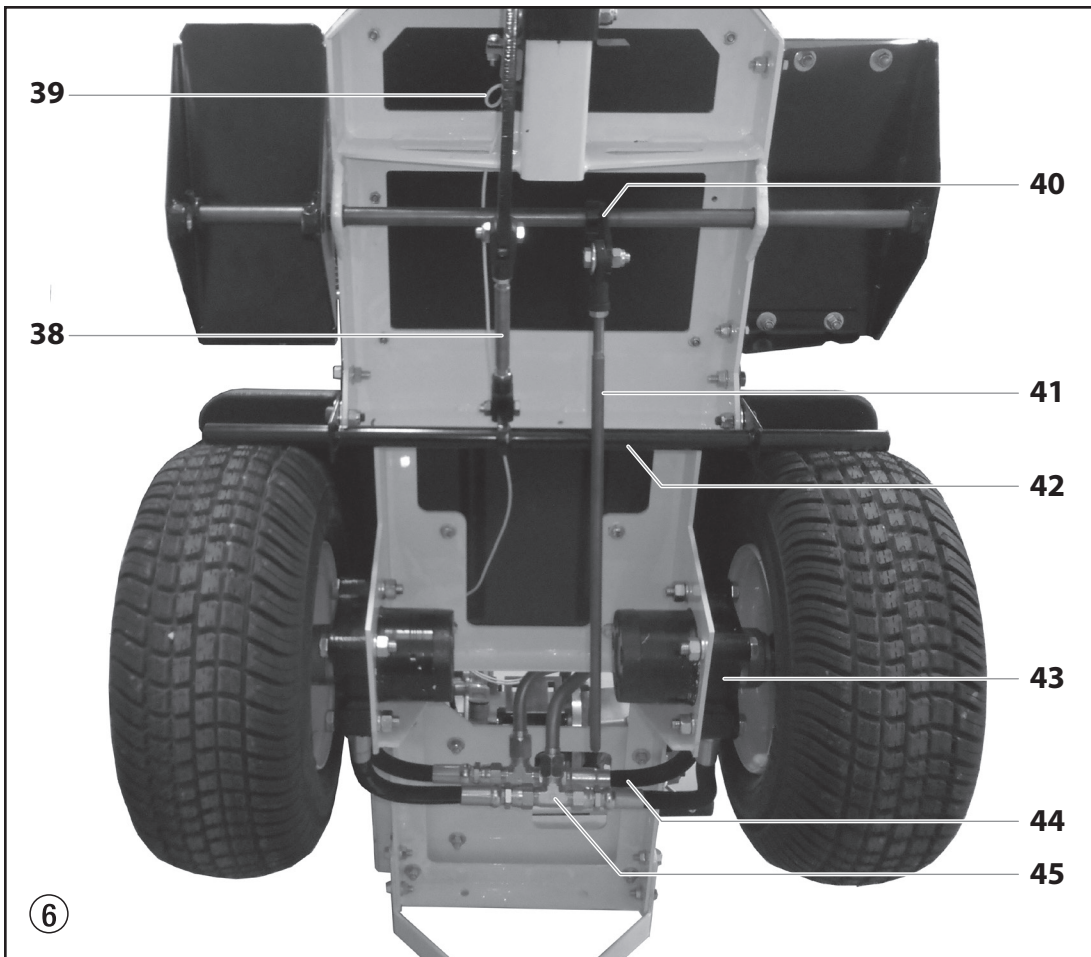


#	N° de pièce	Description
34	-----	Dérivation de la valve de vidange hydraulique. Tourner dans le sens des aiguilles d'une montre pour engager le système hydraulique afin d'avancer; tourner (dans le sens contraire des aiguilles d'une montre de 1/2 à 1 tour) pour désembrayer le moteur, le mettre à la position neutre
35	290665	Ressort et mécanisme de remise au point mort, relie l'attelage de la pédale sous le châssis



#	N° de pièce	Description
36	290391	Support de réglage du siège (2)
37	290392	Entretoise (4)

Identification des pièces/commandes



#	N° de pièce	Description
38	-----	Système de freinage manuel, portion inférieure de l'article 2 qui engage ce système
39	290680	Faisceau de câbles, arrêt du moteur
40	290393	Bouts de la bielle
41	290670	Bielle, raccorde l'axe de pédale à la remise au point mort de la pompe BDP, (diamètre extérieur de 7/16e)
42	290671	Barre de sécurité du frein de stationnement
43	290672	Moteurs de roues motrices hydrauliques doubles

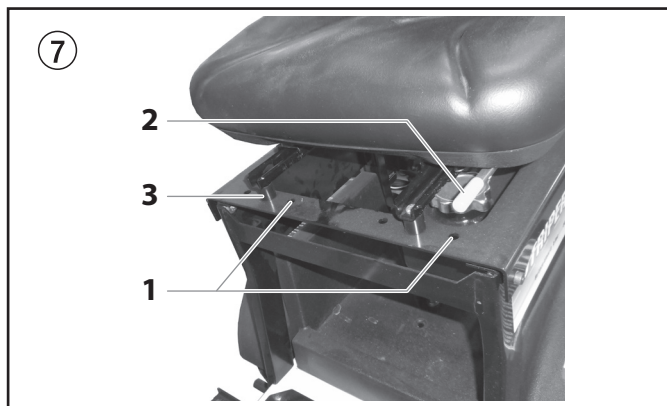
#	N° de pièce	Description
44	290673	Conduites hydrauliques raccordant les moteurs-roues aux lignes dures en acier sur la pompe, 4 au total, deux par moteur-roue
45	290674	Raccords en T mâle triple pour raccorder les lignes du moteur-roue aux lignes dures en acier de la pompe
	290681	Câbles de la pile, positif et négatif (modèle Elite uniquement, non illustré).

Caractéristiques de confort réglables

Siège réglable

Le siège de votre appareil LazyLiner peut être réglé ou adapté et positionné afin de vous offrir un plus grand confort pour vos activités quotidiennes, au besoin. La figure 7 montre le siège à la droite.

1. Pour changer la position du siège vers la droite ou la gauche, enlever les écrous sous les rails de fixation fauteuils et aligner les rails avec un différent ensemble de trous (figure 7, article 1) du châssis. Le siège peut être positionné à la droite ou à la gauche, ou au milieu du châssis.
2. Le siège peut être avancé ou reculé à l'aide du levier à main (2) sous le côté gauche du siège. Tirer le levier et reculer ou avancer le siège à la position souhaitée.
3. Les entretoises (3) peuvent être installées ou enlevées pour ajuster le siège vers le haut ou vers le bas.

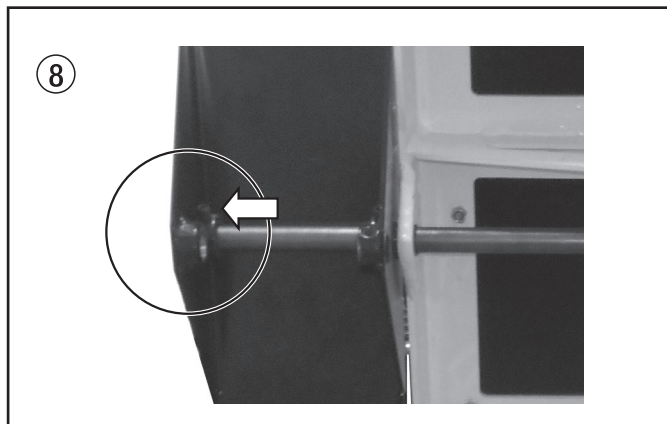


Pédale réglable

L'accélérateur (la pédale de droite) du LazyLiner peut être réglé à de nombreux angles, ainsi que soulevé ou abaissé. L'utilisation de ces fonctions peut réduire la fatigue du pied et de la cheville, ou offrir un peu plus d'espace pour les jambes ou de hauteur pour mieux atteindre la pédale.

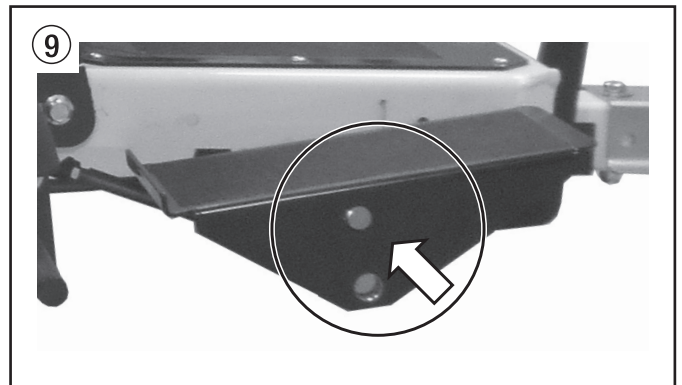
La pédale est ABAISSÉE au moment de l'expédition du LazyLiner. Suivez ces étapes afin de régler la position de l'accélérateur.

1. Situer les deux ensembles de vis sous la pédale qui fixe la pédale à l'axe. Dévisser ces vis à l'aide d'une clé à tête hexagonale.



Si vous prévoyez changer la hauteur des pédales, retirez complètement ces ensembles de vis. Si vous réglez uniquement l'angle de la pédale, sans régler la hauteur, il n'est pas nécessaire de retirer complètement les ensembles de vis, il suffit de les dévisser.

2. Tandis que l'ensemble de vis est desserré/enlevé, repositionner la pédale à la hauteur et à l'angle souhaités. Pour mettre la pédale à la position haute, passer l'axe de pédale dans le trou inférieur de la pédale.



3. Replacer et/ou serrer l'ensemble des vis pour fixer la pédale.



Si les ensembles de vis ne sont pas suffisamment serrés, les pédales n'engageront pas l'axe de pédale et l'étrangleur ne fonctionnera pas correctement.

Montage

Installation de la pile (appareil élite uniquement)

L'appareil LazyLiner Elite n'inclut pas de piles. Une pile doit être achetée séparément avant l'utilisation pour que le démarrage électrique fonctionne.

1. Consulter le manuel du moteur Honda inclut avec l'appareil LazyLiner pour connaître les spécifications appropriées de la pile.
2. Dans le compartiment sous le siège réglable, dévisser le boulon qui fixe le support de pile au châssis.
3. Installer la pile et accrocher les câbles de la pile aux terminaux appropriés : le câble rouge au terminal positif (+) et le câble noir au terminal négatif (-).
4. Fixer le support de pile sur le côté de la pile afin de le tenir en place. Serrer le boulon du support pour le fixer.

Installation du dispositif d'attelage de remorque

1. Installer le dispositif d'attelage de remorque à l'arrière de l'équipement pour peindre des lignes. Suivre les directives séparées incluses avec l'appareil LazyLiner.
2. Lever le levier de verrouillage sur le support du coupleur sur l'appareil LazyLiner et le placer sur le dispositif d'attelage de remorque. Accrocher l'appareil LazyLiner sur l'équipement pour peindre des lignes et veiller à ce que l'accouplement s'engage. Fixer l'accouplement à l'aide d'un boulon et diviser.

Liste de vérification pour le fonctionnement

Effectuer la vérification comme suit avant le fonctionnement de l'équipement :

1. Vérifier à nouveau que toutes les composantes sont installées correctement pour assurer un fonctionnement sécuritaire.
2. Vérifier l'huile du moteur
3. Vérifier l'huile à transmission
4. Faire le plein d'essence sans plomb
5. Vérifier la pression des pneus (1,7 bar)

Fonctionnement



Avant de mettre l'équipement en marche, veuillez lire les instructions du manuel de fonctionnement des moteurs Honda attentivement.

1. Vérifier le niveau d'huile. Consulter le manuel du moteur fourni pour connaître le niveau d'huile et l'entretien recommandé. Le moteur vient habituellement de l'usine déjà mis à l'essai et rempli d'huile.
2. Vérifier le niveau d'huile de transmission dans l'appareil en enlevant le bouchon de remplissage sur le dessus du réservoir hydraulique. Le niveau d'huile doit se situer entre 3/4 et 1 pouce du haut du réservoir.



Attention

Si le niveau d'huile est faible ou si l'huile doit être changée, utilisez toujours de l'huile synthétique 15W50 Mobil 1™. N'utilisez jamais de « l'huile hydraulique » dans l'appareil.

3. Enlever le bouchon du réservoir à essence et remplir le réservoir d'essence sans plomb. S'assurer que le levier de fermeture du carburant est à la position MARCHE. Remettre le bouchon du réservoir à essence.
4. S'asseoir sur l'appareil LazyLiner ou actionner le frein à main.
5. Démarrer le moteur :
 - a. Actionner le frein à main (consulter la figure 1, article 2). Pousser le bras vers l'avant pour actionner le frein à main;
 - b. Ouvrir la soupape de carburant à la position ouvrir et fermer le volet d'air (l'étape est la même pour les appareils au démarrage électrique ou ayant un cordon de démarrage);
 - c. Régler l'étrangleur à élevé et l'interrupteur du moteur à MARCHE (s'il s'agit de l'appareil ayant un cordon de démarrage);
 - d. Tirer le cordon de démarrage ou actionner l'interrupteur à clé;
 - e. Après le démarrage du moteur, déplacer le levier du volet d'air à la position de fonctionnement et l'étrangleur à la position désirée.



L'appareil LazyLiner ne démarre pas à moins que le frein à main soit actionné ou que l'utilisateur soit assis. Si le frein n'est pas actionné ou si vous n'êtes pas assis, l'interrupteur de sécurité ne permettra pas au moteur de démarrer.

6. Saisir les poignées et serrer le bouton de déclenchement de la roue pivotante.
7. Utiliser les pédales en marche avant (orteils vers le bas) ou en marche arrière (talons vers le bas), selon les besoins. On tourne les appareils en utilisant l'appareil à peindre les lignes et en relâchant la roue pivotante.
8. L'appareil LazyLiner atteindra la vitesse désirée (0 à 16 km/h en marche avant, 0 à 11 km/h en marche arrière) en appuyant plus ou moins fort sur la pédale.

L'appareil s'arrêtera complètement (rapidement) lorsqu'on laisse les pédales retourner au centre ou à la position neutre. La pression hydraulique est l'élément qui déclenche les freins pour arrêter l'appareil.



Si l'appareil LazyLiner ne bouge pas, la dérivation de la valve de vidange hydraulique (voir la figure 4, article 34) devra être serrée. La tourner de 1/2 à 1 tour dans le sens des aiguilles d'une montre jusqu'à ce qu'elle soit serrée afin d'engager l'engrenage.



TOUJOURS actionner le frein à main lorsque l'appareil n'est pas en marche ou l'utilisateur n'est pas assis sur l'appareil LazyLiner.

Entretien

Lire ce qui suit afin de connaître quel type d'entretien doit être effectué sur votre LazyLiner à certains intervalles d'utilisation.



Pour obtenir des renseignements plus détaillés au sujet de l'entretien du moteur, lire les directives dans le mode d'emploi pour les moteurs Honda.

Chaque jour :

- Vérifier le niveau d'huile du moteur et le remplir au besoin.
- Vérifier le niveau d'huile hydraulique du réservoir de la transmission et le remplir au besoin. Le filtre et l'huile devraient être changés toutes les 650 à 700 heures d'utilisation.
- Vérifier le réservoir à carburant et faire le plein d'essence sans plomb.
- Vérifier les pneus et les gonfler à 1,7 bar, au besoin.
- Essuyer l'équipement – Ne jamais utiliser un tuyau d'arrosage pour le laver.
- Vérifier et nettoyer le filtre à air. Le remplacer au besoin.

Après les 20 premières heures :

- Égoutter l'huile à moteur et la remplacer par de l'huile SAE 10W30. Consulter les spécifications du fabricant pour le classement API.

Chaque semaine :

- Ajouter un peu de graisse à l'attelage de la boule à l'intérieur de la zone de la boule.
- Vérifier l'intégrité de tout le matériel. Resserrer les boulons ou les écrous desserrés.

Chaque 50 heures :

- Remplacer la bougie d'allumage.
- Inspecter le système pour une fuite d'huile de la boîte d'engrenages.

Chaque 100 heures :

- Vaporiser la chaîne en utilisant un lubrifiant sec pour chaîne de motocyclette.
- Graisser les paliers d'essieu – graisse de type Moly, deux pompes du graisseur. Essuyer la graisse excédentaire des paliers.
- Égoutter l'huile à moteur et la remplacer par de l'huile SAE 10W30. Consulter les spécifications du fabricant pour le classement API.
- Vérifier le réservoir de transmission et le remplir au besoin.
- Vérifier la tension de la chaîne et rajuster la roue dentée de la poulie tendeur à la tension au besoin. Retirer le couvercle de la transmission et vérifier la courroie d'entraînement. Ajuster la tension au besoin.
- Se servir de l'alimentation d'air pour retirer la poussière accumulée à l'intérieur du couvercle.
- La rotation des pneus assure une usure plus équilibrée et une durée de vie plus longue. Au fur et à mesure que les pneus deviennent usés, l'ensemble de freinage devra être ajusté pour garantir un bon contact avec les pneus. Desserrer les deux boulons de 0,937 cm qui fixent l'ensemble de freinage au châssis. Tapoter sur le montage de l'ensemble de freinage vers l'arrière de l'appareil de 0,3 à 0,6 cm. Resserrer les boulons.

Dépannage

Défaut	Cause possible	Remède
A. Le moteur ne démarre pas.	<ol style="list-style-type: none"> 1. L'interrupteur du moteur à ARRÊT, pas d'essence ou niveau d'huile faible. 2. Batterie déchargée 3. Le frein à main n'est pas actionné. 4. Il n'y a personne dans le siège du conducteur, le capteur n'est pas déclenché 	<ol style="list-style-type: none"> 1. Consulter le manuel du moteur. 2. Tirer la corde de démarrage 3. Actionner le frein à main. 4. S'assois dans le siège du conducteur
B. Le moteur passe à des tours/minute élevés ou cale pendant le fonctionnement.	<ol style="list-style-type: none"> 1. Le levier d'étrangleur et le régulateur sont usés 	<ol style="list-style-type: none"> 1. Consulter le manuel du moteur.
C. Le moteur fonctionne, le moteur d'entraînement LazyLiner ne fait pas marche avant ou arrière.	<ol style="list-style-type: none"> 1. Le niveau d'huile hydraulique est bas. 2. L'accélérateur a été mal ajusté. 3. Les bouts de la bielle sur l'arbre transversal à deux pédales sont desserrés. 4. Le frein à main est actionné. 5. La dérivation de la valve de vidange hydraulique est ouverte. 	<ol style="list-style-type: none"> 1. Faire le plein d'huile hydraulique. 2. Serrer l'ensemble des vis sous les pédales pour fixer l'axe de pédale. 3. S'assurer que les bouts de la bielle (voir la figure 6, article 40) sont fixés à l'arbre transversal à deux pédales. 4. Libérer le frein à main. 5. Fermer la dérivation de la valve de vidange hydraulique.
D. Le moteur fonctionne, le LazyLiner avance lentement à la marche avant ou arrière.	<ol style="list-style-type: none"> 1. Le niveau d'huile hydraulique est bas. 2. L'accélérateur a été mal ajusté. 3. Les bouts de la bielle sur l'arbre transversal à deux pédales sont desserrés. 4. Le frein à main est actionné. 5. La dérivation de la valve de vidange hydraulique est ouverte. 	<ol style="list-style-type: none"> 1. Faire le plein d'huile hydraulique. 2. Serrer l'ensemble des vis sous les pédales pour fixer l'axe de pédale. 3. S'assurer que les bouts de la bielle (voir la figure 6, article 40) sont fixés à l'arbre transversal à deux pédales. 4. Libérer le frein à main. 5. Fermer la dérivation de la valve de vidange hydraulique.
E. Le frein à main est actionné, le moteur continue de fonctionner lorsque l'opérateur quitte l'appareil LazyLiner.	<ol style="list-style-type: none"> 1. Interrupteur de sécurité défectueux. 2. Le frein à main n'enclenche pas les pneus. 	<ol style="list-style-type: none"> 1. Contactez le Service à la clientèle de Titan. 2. Régler le frein à main selon les instructions d'entretien (voir le dernier point important « toutes les 100 heures » à la page précédente).
F. Le moteur a des défaillances pendant les virages et les changements de position entre la marche avant et arrière.	<ol style="list-style-type: none"> 1. Le niveau d'huile de moteur est bas. 	<ol style="list-style-type: none"> 1. Faire le plein au bon niveau d'huile.
G. Le moteur tourne pendant un court temps et s'arrête.	<ol style="list-style-type: none"> 1. Étranglement de l'écoulement du carburant. 	<ol style="list-style-type: none"> 1. Consulter le manuel du moteur.
H. L'appareil LazyLiner se déplace encore après l'actionnement du frein à main.	<ol style="list-style-type: none"> 1. Le frein à main n'enclenche pas les pneus. 	<ol style="list-style-type: none"> 1. Régler le frein à main selon les instructions d'entretien (voir le dernier point important « toutes les 100 heures » à la page précédente).

Si le problème ne peut être résolu, contacter le service clientèle de Titan.




Índice

Normas de seguridad	26
Datos técnicos	27
Identificación de piezas y controles	28-30
Características de comodidad ajustables	31
Instalación.....	31
Lista de verificación de funcionamiento.....	31
Funcionamiento	32
Mantenimiento	32
Procedimiento en caso de averías	33
Garantía	75

Normas de seguridad

El presente manual contiene información que deberá leer y comprender bien antes de utilizar el equipo. Cuando llegue a una sección que tenga uno de los siguientes símbolos, preste especial atención y asegúrese de que se cumplen las medidas de seguridad.

Es imperativo que lea y siga todas las instrucciones que vienen en el manual de operación para motores Honda y para los equipos Titan LazyLiner.

	Este símbolo indica un peligro potencial que puede provocar lesiones graves e incluso la muerte. A continuación se incluye información importante de seguridad.
 Atención	Este símbolo indica un peligro potencial para usted o para el equipo. A continuación se incluye información importante para evitar daños al equipo o evitar situaciones que podrían provocar lesiones de segundo orden.
	Las notas añaden información importante a la que debe prestarse especial atención.

Trabajos o reparaciones en el equipamiento eléctrico:

Disponer su ejecución únicamente por un electricista competente. No se asume ninguna responsabilidad por la instalación inadecuada.

Transporte y almacenamiento

Este equipo resistirá, o se ha protegido contra temperaturas de almacenamiento y transporte de -25° C a +55° C y, por períodos cortos, de hasta +70° C.

Se ha embalado para evitar daños a causa de los efectos de condiciones normales de humedad, vibración y choque.



PELIGRO DE VEHÍCULO EN MOVIMIENTO

El comportamiento descuidado e imprudente provoca accidentes. El caer de un vehículo, chocar con personas u objetos, o ser golpeado por otros vehículos puede provocar lesiones graves o la muerte.

PREVENCIÓN:

- Al subir a LazyLiner, no pise el pedal de avance/retroceso.
- Gire lentamente y limite los giros a 45° o menos.
- No lo opere en pendientes de más de 15°.
- Sea cuidadoso al desplazarse en descensos extremos o en pendientes de caminos para evitar la pérdida de tracción.
- No transporte pasajeros.
- No remolque sin el paquete de remolque y limite la carga.
- Respete todas las normas de transporte y de carreteras locales.
- No haga funcionar el equipo sin la iluminación adecuada.
- Solo haga funcionar el equipo en superficies limpias y sólidas.



PELIGRO DE QUEMADURAS

Para evitar quemaduras graves, evite los líquidos o equipos calientes. Espere hasta que el equipo o líquido se haya enfriado completamente. No coloque ningún material inflamable (por ejemplo, trapos empapados en aceite) en el motor.



PELIGRO DE MONÓXIDO DE CARBONO

Respirar monóxido de carbono puede provocar la muerte. No lo haga funcionar en áreas cerradas.



EQUIPO DE PROTECCIÓN PERSONAL

Use el equipo de protección personal cuando haga funcionar o realice mantenimiento para protegerse de lesiones graves:

PREVENCIÓN:

- Protección para los ojos
- Vestimenta y respirador recomendado por el fabricante
- Zapatos con punta de acero
- Guantes
- Protección auditiva



PELIGRO DE EXPLOSIÓN E INCENDIO

Los gases inflamables, como los gases de las pinturas y los solventes, pueden encenderse o explotar en el área de trabajo.



PREVENCIÓN:

- Use el equipo en áreas bien ventiladas.
- No llene el tanque de combustible mientras el motor esté en marcha o esté caliente.
- Elimine todas las fuentes de ignición cuando haya presencia de gases inflamables.
- Mantenga el área de trabajo libre de desechos.
- Si hay formación estática de chispas o siente una descarga, detenga inmediatamente la operación.
- Mantenga un extintor de incendios en el área.



ALMACENAMIENTO

No deje el equipo LazyLiner al aire libre sin protección; debe almacenarlo en un lugar seco.



TRANSPORTE

El equipo LazyLiner no se debe enganchar a la horquilla de tiro en un vehículo motorizado para el transporte. El equipo LazyLiner se debe transportar únicamente mediante un transportador de carga con una plataforma plana que esté fijada firmemente.

Peligro de aplastamiento. Se necesitan varias personas para cargar y descargar el equipo LazyLiner.

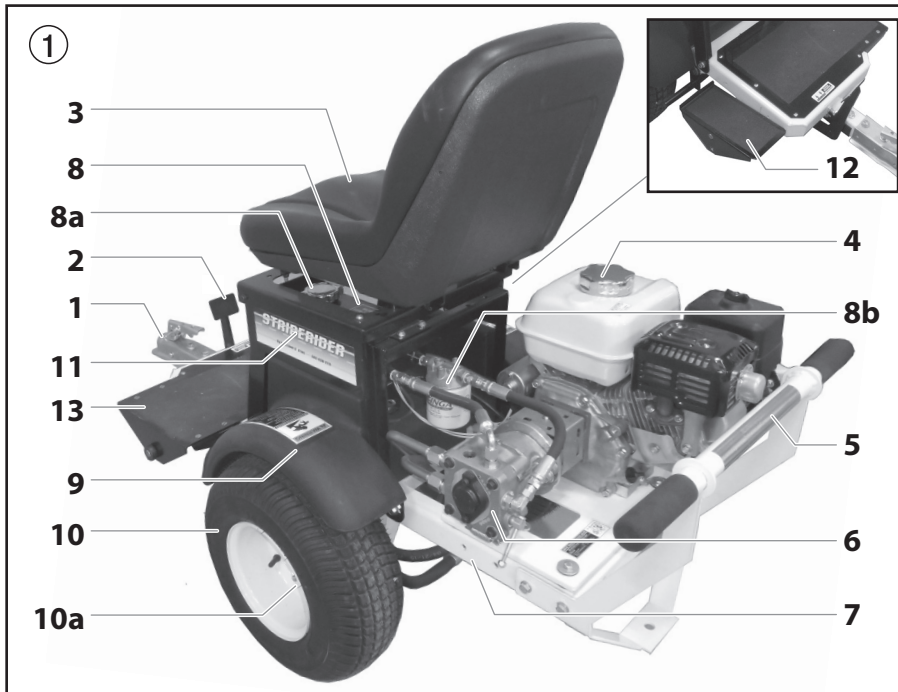
No se debe transportar el equipo LazyLiner con una grúa.

Datos técnicos

	LazyLiner Pro	LazyLiner Elite
Motor		
	Honda GX160, arranque manual mediante soga	Honda GX200, arranque eléctrico, 16A/200W
Tipo de aceite de motor		
	SAE 10-30W (0,6 l)	SAE 10-30W (0,6 l)
Peso		
	118 kg	127 kg
Dimensiones (L x A x A, asiento en posición elevada)		
	145 cm x 66 cm x 107 cm	157 cm (barra de tope instalada) x 74 cm x 107 cm
Velocidad máxima		
Adelante	0 a 16 km/h	0 a 16 km/h
Marcha atrás	0 a 11 km/h	0 a 11 km/h
Presión acústica		
	85 dB*	85 dB*
Nivel de vibración (con el equipo trazalíneas instalado)		
	< 2,5 m/s ² (izquierda y derecha)	< 2,5 m/s ² (izquierda y derecha)
Presión máx. de los neumáticos		
	1,7 bar	1,7 bar
Fabricación	Toda la estructura y las protecciones, la barra de protección del motor y los guardabarros están fabricados de acero soldado y recubiertos con una capa pulverizada industrial	
Transmisión	Transmisiones hidrostáticas de hierro fundido para las operaciones hacia delante y marcha atrás Un acelerador (hacia delante y hacia atrás) Diferencial de transmisión de control de pista Transmisión por cadena de rodillo de doble fila Aceite sintético completo Mobil 1™ 15W50 (4 cuartos de galón)	
Presión hidráulica de funcionamiento		
	186 bar	186 bar
Temperatura de funcionamiento	+10 °C y +40 °C	
Humedad relativa	50 %, a +40 °C (una humedad relativa mayor no supone un problema a temperaturas inferiores)	
Altitud de funcionamiento	Máx. 3.000 m sobre el nivel del mar	
Freno de estacionamiento	Freno de estacionamiento manual	
Enganche	Para instalación sobre equipos trazalíneas Titan y Graco	
Asiento	Respaldo alto, de lujo, tapizado, con control de comodidad ajustable y sensor de peso para apagado de seguridad	

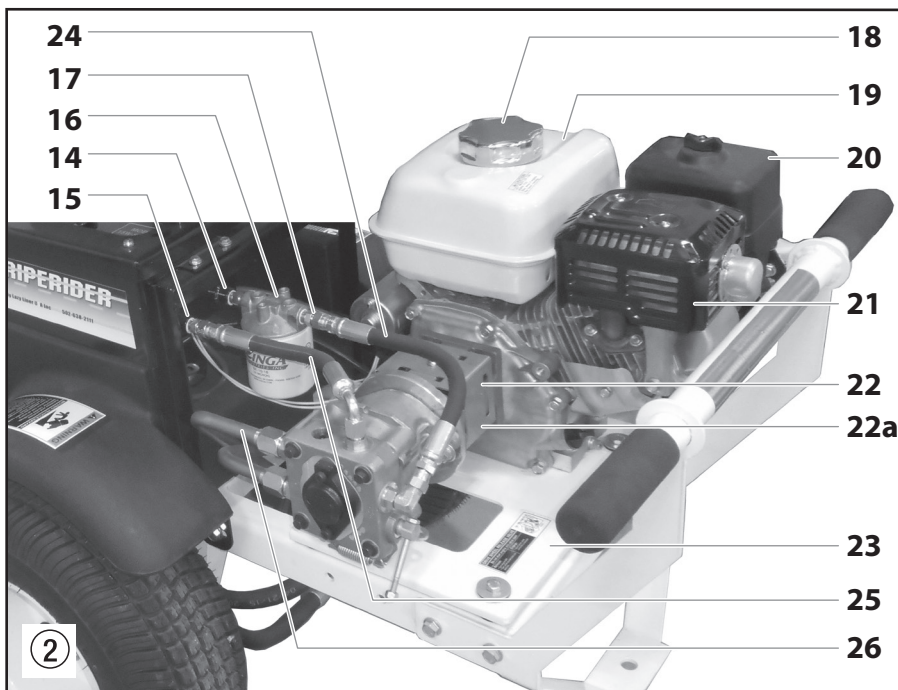
* Medido a la altura de la posición del asiento.

Identificación de piezas y controles



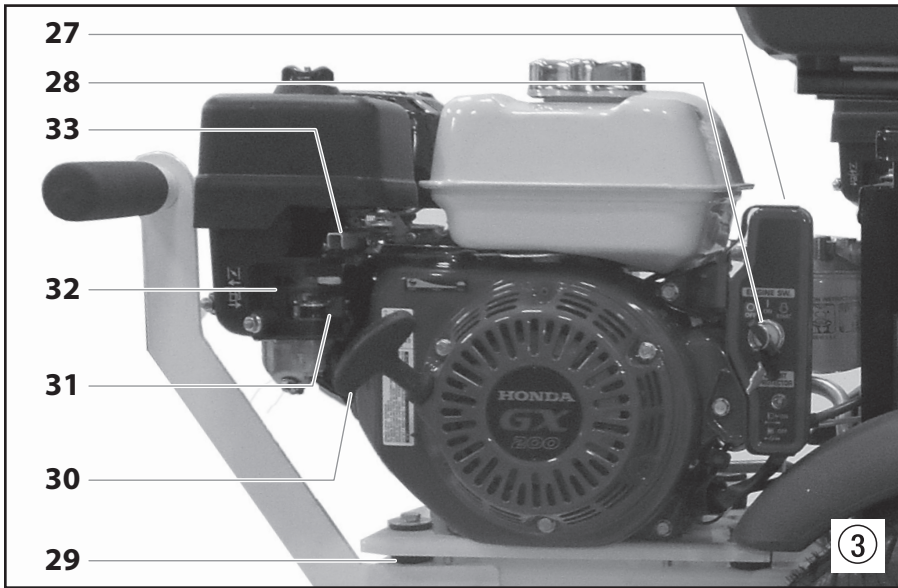
* 2413480 La bandeja portadora (accesorio opcional, no se muestra en la foto) se fija a la barra protectora encima del motor.

#	Pieza #	Descripción	
1	290647	Soporte de acoplamiento	
2	290648	Palanca de freno manual	
3	290675	Asiento	
	290173	Asiento safety switch	
4	0537547A	Motor (GX200, se muestra el de arranque eléctrico, Elite)	
	980-331A	Motor (GX160, solo modelo Pro)	
5	2423493	Barra de tope, Honda (solo modelo Pro)	
	0290646Z	Barra de tope, Subaru (solo modelo Pro)	
6	290649	Bomba hidráulica BDP	
7	290650	Estructura principal	
8	290652	Tanque hidráulico, 4 cuartos	
	a	290678	Tapa del tanque hidráulico
	b	290679	Filtro hidráulico
9	-----	Guardabarros	
10	290676	Conjunto de rueda, modelo Elite (2)	
	290677	Conjunto de rueda, modelo Pro (2)	
a	290682	Tuercas de la rueda (4 por rueda)	
11	290653	Estructura del asiento	
12	-----	Pedal	
13	290656	Plataforma para pies	

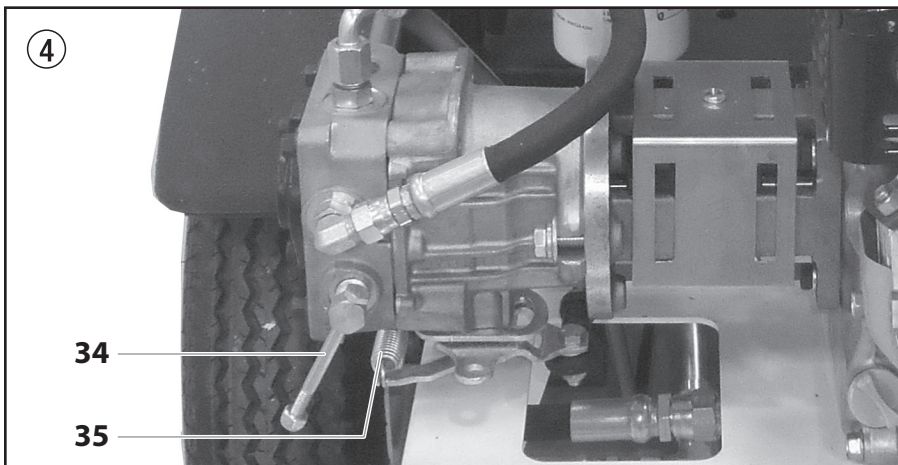


#	Pieza #	Descripción
14	290394	Niple, macho de NPT 1/4"
15	290396	Codo, 90°
16	290657	Filtro de aceite y carcasa para filtro roscado
17	290395	Codo, 90°
18	-----	Tapa de ventilación de gasolina
19	-----	Tanque de gasolina
20	-----	Filtro de aire
21	-----	Conjunto de silenciador
22	290658	Carcasa de montaje de aluminio de la bomba
	a	290659
23	290660	Montaje de motor en la estructura, con 8 bujes aisladores de vibración de goma
24	290655	Tubería hidráulica de presión que va desde el filtro hasta la bomba
25	290661	Tubería hidráulica de retorno desde la bomba BDP hasta el tanque
26	290662	Tuberías sólidas de acero que conectan las mangueras del motor de la rueda a la bomba

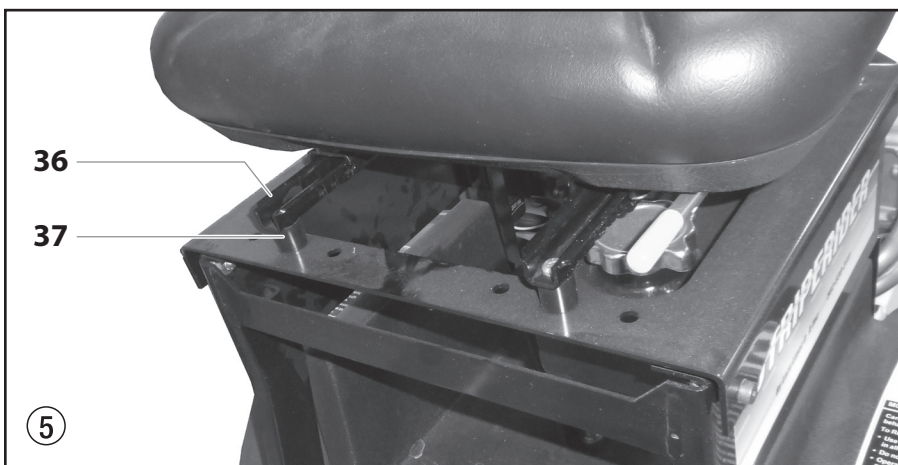
Identificación de piezas y controles



#	Pieza #	Descripción
27	-----	Rectificador para imán, (solo modelo Elite) Consulte el manual del motor
28	-----	Interruptor con llave para unidad Elite (7 hp)
29	290663	Bujes aisladores de vibración de goma para la placa del motor hasta la estructura
30	-----	Arranque manual mediante soga de retroceso (unidades Pro y Elite)
31	-----	Cierre de combustible
32	-----	Palanca de estrangulación
33	-----	Acelerador del motor (unidades Pro y Elite)

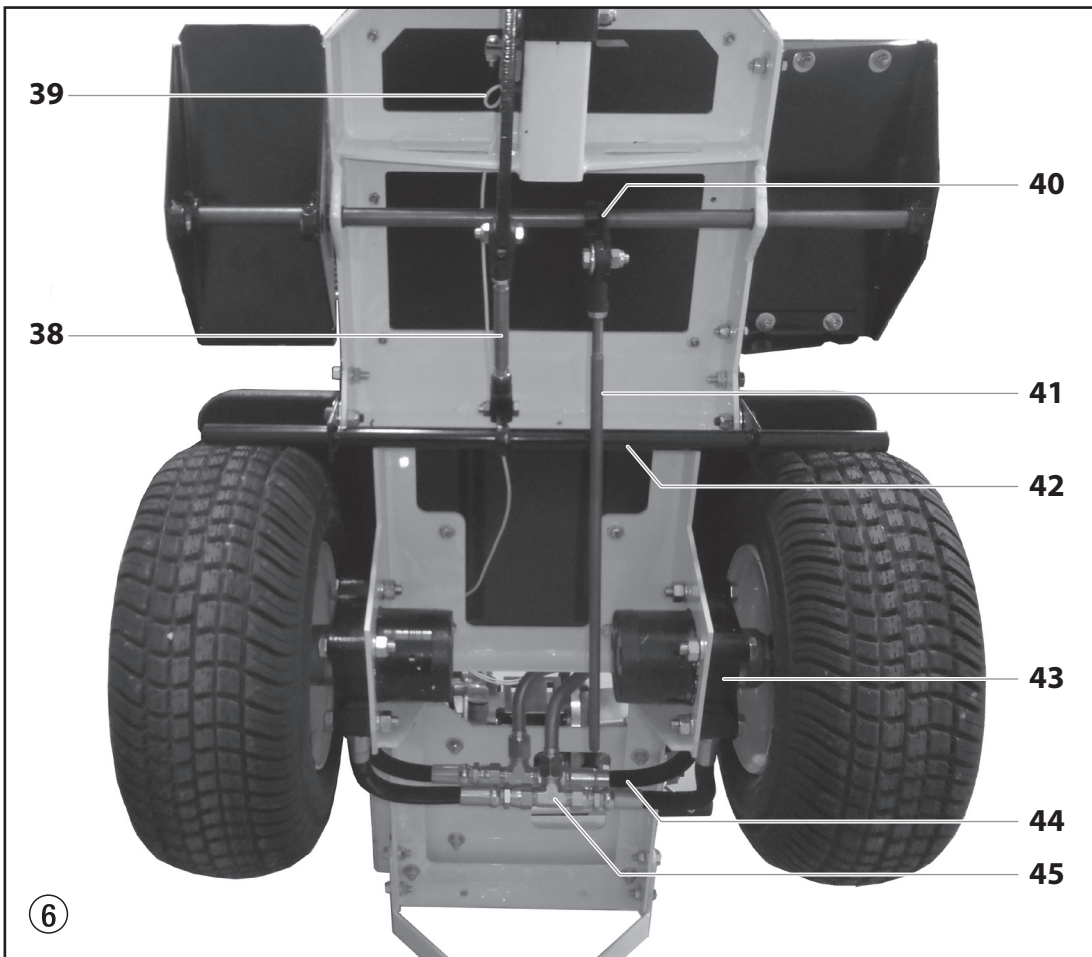


#	Pieza #	Descripción
34	-----	Válvula de liberación hidráulica, derivación Gire hacia la derecha para activar los elementos hidráulicos en la transmisión; suelte para desactivar (1/2 a 1 vuelta hacia la izquierda), neutro
35	290665	Resorte y mecanismo RTN (retorno a neutro), conecta la articulación del pedal debajo de la estructura



#	Pieza #	Descripción
36	290391	Soporte de ajuste del asiento (2)
37	290392	Separador (4)

Identificación de piezas y controles



#	Pieza #	Descripción
38	-----	Sistema de freno de estacionamiento operado manualmente, parte inferior del elemento n.º 2 que activa este sistema
39	290680	Parada de motor, cableado
40	290393	Extremos de la biela de conexión
41	290670	Biela de articulación, conecta el eje del pedal al RTN en la bomba BDP, (7/16 de diá. ext.)
42	290671	Barra de bloqueo de freno de estacionamiento
43	290672	Motores dobles de rueda de transmisión hidráulica

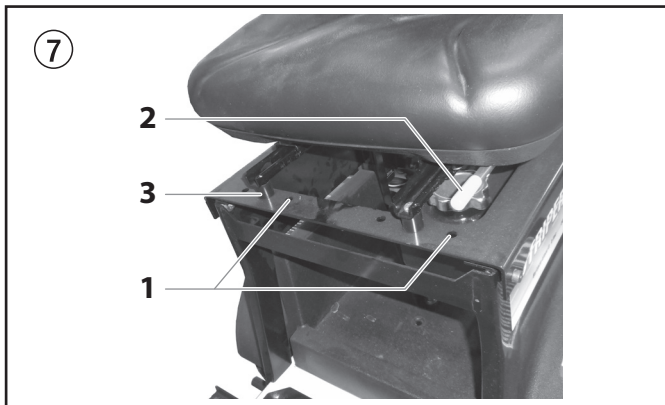
#	Pieza #	Descripción
44	290673	Tuberías hidráulicas que conectan los motores de las ruedas a las tuberías sólidas de acero en la bomba, 4 en total, dos por motor de rueda
45	290674	Conexiones en "T" macho de 3 vías para conectar las tuberías del motor de la rueda a las tuberías sólidas de acero de la bomba
	290681	Cables de batería, positivo y negativo (solo modelo Elite, no se muestra)

Características de comodidad ajustables

Asiento ajustable

El asiento de la unidad LazyLiner se puede ajustar o acomodar y ubicar para proporcionar un mayor nivel de comodidad para su operación diaria, si es necesario. La Figura 7 muestra el asiento en una posición de desplazamiento hacia la derecha.

1. Para cambiar la posición izquierda o derecha del asiento, retire las tuercas debajo de los carriles del asiento y alinéelos con un juego diferente de orificios (Fig. 7, elemento 1) en la estructura del asiento. El asiento se puede ubicar con desplazamiento lateral hacia la derecha o izquierda o en el medio de la estructura del asiento.
2. El asiento se puede ajustar de atrás hacia adelante con la palanca manual (2) que está debajo del lado izquierdo del asiento. Tire de la palanca y ajuste el asiento hacia atrás o hacia adelante en la posición deseada.
3. Los espaciadores (3) se pueden instalar o quitar para ajustar el asiento hacia arriba o hacia abajo.



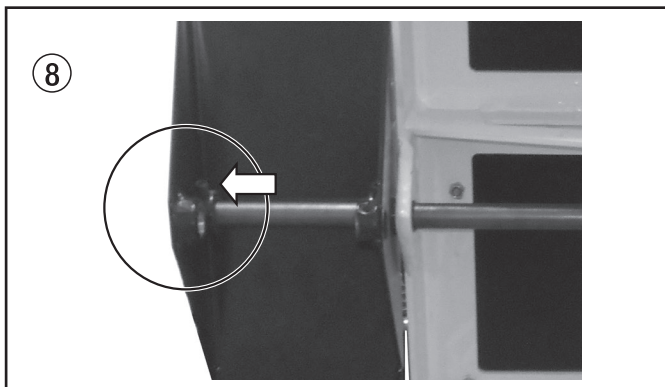
Pedal ajustable

El acelerador (pedal derecho) del LazyLiner se puede ajustar en múltiples ángulos, así como en una posición superior o inferior. Estas características pueden ayudar a reducir la fatiga del pie y tobillo o proporcionar un espacio o altura para las piernas un poco mayor para ayudarle a alcanzar mejor los pedales.

El LazyLiner se envía con el pedal en posición DOWN (Abajo).

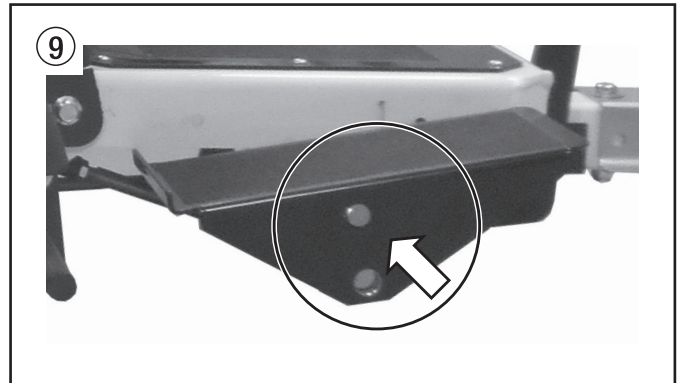
Siga estos pasos para ajustar la posición del acelerador.

1. Ubique los dos tornillos prisioneros debajo del pedal que lo fijan al eje. Suelte estos tornillos prisioneros con una llave hexagonal.



Si planea cambiar la altura de los pedales, retire completamente los tornillos prisioneros. Si solo está ajustando el ángulo del pedal, pero no la altura, no necesita retirar completamente los tornillos prisioneros, solo debe soltarlos.

2. Cuando suelte o retire los tornillos prisioneros, vuelva a colocar el pedal a la altura y el ángulo deseado. Coloque el pedal en posición UP (Arriba), introduzca el eje del pedal en el orificio de la parte inferior del pedal.



3. Vuelva a colocar los tornillos prisioneros y apriételos para fijar el pedal.



Si los tornillos prisioneros no están lo suficientemente apretados, los pedales no activarán el eje del pedal y el acelerador no funcionará correctamente.

Instalación

Instale la batería (solo modelo Elite)

El modelo Elite de LazyLiner no incluye una batería. Se debe comprar por separado antes de usarlo para que el arranque eléctrico funcione.

1. Consulte el manual del motor Honda que se incluye con la unidad LazyLiner para conocer las especificaciones adecuadas de la batería.
2. En el compartimiento debajo del asiento ajustable, suelte el perno que fija el soporte de la batería a la estructura.
3. Instale la batería y conecte los cables de la batería a los terminales correspondientes: Rojo al terminal positivo (+); negro al terminal negativo (-).
4. Fije el soporte de la batería al costado de esta para sostenerla en su lugar. Apriete el perno del soporte para fijarla.

Instale la horquilla de tiro

1. Instale la horquilla de tiro en la parte posterior de su equipo trazalíneas. Siga las instrucciones por separado que se incluyen con la unidad LazyLiner.
2. Levante la palanca de bloqueo del soporte de acoplamiento de la unidad LazyLiner y colóquela sobre la horquilla de tiro. Cuelgue la unidad LazyLiner en el equipo trazalíneas y asegúrese de que la horquilla se conecte. Fije la horquilla con perno y división.

Lista de verificación de funcionamiento

Revise las verificaciones previas al funcionamiento de la siguiente manera:

1. Vuelva a revisar que todos los componentes estén correctamente instalados para garantizar un funcionamiento seguro.
2. Revise el aceite del motor.
3. Revise el aceite de la transmisión.
4. Llene el tanque de combustible con gasolina sin plomo.
5. Revise la presión de los neumáticos.

Funcionamiento



Antes de hacer funcionar el equipo, lea cuidadosamente las instrucciones que vienen en el manual de operación para motores Honda.

1. Revise el nivel de aceite del motor. Consulte el manual del motor que se suministra, para conocer los niveles de aceite y servicios recomendados. Normalmente, el motor viene previamente probado y lleno con aceite desde la fábrica.
2. Retire la tapa de llenado, que está en la parte superior del tanque hidráulico, para revisar el nivel de aceite de transmisión en la unidad. El nivel de aceite debería estar de 2 a 2,5 cm de la parte superior del tanque.



Atención

Si el aceite está bajo o si necesita cambiarlo, siempre use aceite sintético completo Mobil 1™ 15W50. Nunca use "aceite hidráulico" en el sistema.

3. Retire la tapa de la gasolina y llene el tanque con gasolina regular sin plomo, asegúrese de que la palanca del nivel de combustible esté en la posición abierta. Vuelva a colocar la tapa de la gasolina.
4. Siéntese en la unidad LazyLiner o active el freno de estacionamiento.
5. Arranque el motor:
 - a. Active el freno de estacionamiento (consulte la Figura 1, elemento 2). Empuje el brazo hacia adelante para activar el freno.
 - b. Mueva la válvula de combustible para abrir y la válvula de estrangulación para cerrar (lo mismo para ambas unidades, de arranque eléctrico o de arranque manual mediante sogá)
 - c. Ponga el acelerador en alto y ENCIENDA el motor (si es una unidad de arranque manual mediante sogá)
 - d. Tire de la sogá del motor o gire el interruptor con llave
 - e. Después de que el motor arranque, mueva el estrangulador hasta la posición de funcionamiento y coloque el acelerador en la posición deseada.



No se puede arrancar la unidad LazyLiner a menos que el freno de estacionamiento esté activado o el operador esté sentado. Si el freno no está activado o usted no está sentado, el sistema de interruptor de seguridad no permitirá que el motor arranque.

6. Agarre los manillares y apriete la liberación de la rueda orientable.
7. Opere los pedales ya sea hacia adelante (bajando la punta del pie) o en marcha atrás (bajando el talón), según sea necesario. Para girar las unidades debe usar la correa y soltar la rueda orientable.
8. Presione el conjunto de pedal con más o menos fuerza para que la unidad LazyLiner alcance la velocidad deseada (0 a 16 km/h hacia adelante, 0 a 11 km/h hacia atrás).

La unidad se detendrá completamente (rápido) una vez que permita que los pedales regresen al centro o a posición neutra. La presión hidráulica crea la función de parada o frenado para que su unidad se detenga.



Si la unidad LazyLiner no se mueve, tendrá que apretar la derivación de la válvula de liberación hidráulica (consulte la Figura 4, elemento 34). Gire 1/2 a 1 vuelta hacia la derecha hasta que se apriete para activar la transmisión.



SIEMPRE ponga el freno de estacionamiento cuando no esté operando o no esté sentado en la unidad LazyLiner.

Mantenimiento

Lea la información que aparece a continuación para conocer qué tipo de mantenimiento debiera realizar a LazyLiner en ciertos intervalos de uso.



Para obtener información detallada sobre el mantenimiento y cuidado del motor, lea las instrucciones que vienen en el manual de operación para motores Honda.

Diariamente:

- Revise el nivel de aceite del motor y llénelo según sea necesario.
- Revise el nivel de aceite hidráulico en el receptáculo de transmisión y llénelo según sea necesario. El aceite y el filtro se deberían cambiar cada 650 a 700 horas de servicio.
- Revise y llene el tanque de combustible con gasolina regular sin plomo.
- Revise los neumáticos e ínflelos a 1,7 bar (25 psi) si fuese necesario.
- Limpie el equipo. Nunca use una manguera de agua para lavar.
- Revise y limpie el purificador de aire. Reemplácelo cuando sea necesario

Después de las primeras 20 horas:

- Drene y vuelva a llenar el motor con aceite SAE 10W-30. Consulte las especificaciones de los fabricantes para conocer las clasificaciones API.

Semanalmente:

- Agregue una pequeña cantidad de grasa al acoplador de bola dentro del área de la bola.
- Revise que todas las piezas metálicas estén completas. Apriete cualquier perno o tuerca suelto.

Cada 50 horas:

- Reemplace la bujía de encendido
- Inspeccione el sistema para saber si existen fugas de aceite desde el conjunto de transmisión.

Cada 100 horas:

- Pulverice la cadena con aerosol seco para cadenas de motocicletas.
- Engrase los rodamientos del eje - grasa de molibdeno, dos bombeos de la pistola de engrase. Limpie el exceso de grasa de los rodamientos.
- Drene y vuelva a llenar el motor con aceite SAE 10W-30. Consulte las especificaciones de los fabricantes para conocer las clasificaciones API.
- Revise y vuelva a llenar el receptáculo de transmisión si fuese necesario.
- Revise la tensión de la cadena y restablezca la tensión de la rueda dentada de la polea guía si fuese necesario. Retire la tapa de la transmisión y revise la correa de transmisión. Vuelva a ajustar la tensión si fuese necesario.
- Use el suministro de aire para eliminar la suciedad acumulada dentro de la tapa.
- Gire las ruedas para obtener un desgaste más parejo y un período de vida útil más prolongado. A medida que los neumáticos se desgastan, se necesitará ajustar el conjunto de freno para asegurar el contacto adecuado con los neumáticos. Suelte los dos tornillos de 3/8" que fijan el conjunto de freno a la estructura. Golpee suavemente el montaje del conjunto de freno hacia la parte posterior de la unidad de 0,3 a 0,6 cm. Vuelva a apretar los pernos.

Procedimiento en caso de averías

Avería	Causa posible	Eliminación de la avería
A. El motor no arranca	<ol style="list-style-type: none"> 1. El interruptor del motor está en OFF (Apagado), no hay gasolina o el nivel de aceite es bajo. 2. Batería descargada. 3. El freno de estacionamiento no está activado. 4. El asiento está vacío, el sensor no está activado. 	<ol style="list-style-type: none"> 1. Consulte el manual del motor. 2. Tire de la soga de arranque. 3. Ponga el freno de estacionamiento. 4. Siéntese en el asiento del conductor.
B. El motor corre a altas rpm o se detiene durante la operación	<ol style="list-style-type: none"> 1. La palanca de aceleración o el regulador está desgastado. 	<ol style="list-style-type: none"> 1. Consulte el manual del motor.
C. El motor funciona, el impulsor LazyLiner no se mueve hacia delante ni hacia atrás.	<ol style="list-style-type: none"> 1. El nivel de aceite hidráulico es bajo. 2. El acelerador se ajustó incorrectamente. 3. Los extremos de la biela de conexión en el eje transversal de pedal doble están sueltos. 4. El freno de estacionamiento está puesto. 5. La derivación de la válvula de liberación hidráulica está abierta. 	<ol style="list-style-type: none"> 1. Llene con aceite hidráulico. 2. Apriete los tornillos prisioneros debajo de los pedales para fijar el eje del pedal. 3. Asegúrese de que los extremos de la biela de conexión (consulte la Figura 6, elemento 40) están fijas al eje transversal de pedal doble. 4. Libere el freno de estacionamiento. 5. Cierre la derivación de la válvula de liberación hidráulica.
D. El motor funciona, LazyLiner se mueve lentamente hacia delante o hacia atrás.	<ol style="list-style-type: none"> 1. El nivel de aceite hidráulico es bajo. 2. El acelerador se ajustó incorrectamente. 3. Los extremos de la biela de conexión en el eje transversal de pedal doble están sueltos. 4. El freno de estacionamiento está puesto. 5. La derivación de la válvula de liberación hidráulica está abierta. 	<ol style="list-style-type: none"> 1. Llene con aceite hidráulico. 2. Apriete los tornillos prisioneros debajo de los pedales para fijar el eje del pedal. 3. Asegúrese de que los extremos de la biela de conexión (consulte la Figura 6, elemento 40) están fijas al eje transversal de pedal doble. 4. Libere el freno de estacionamiento. 5. Cierre la derivación de la válvula de liberación hidráulica.
E. Freno de estacionamiento puesto, el motor continúa funcionando cuando el operador sale de la unidad LazyLiner.	<ol style="list-style-type: none"> 1. Interruptor de seguridad defectuoso. 2. El freno de estacionamiento no se activa en los neumáticos. 	<ol style="list-style-type: none"> 1. Comuníquese con el Servicio al Cliente de Titan. 2. Ajuste el freno de estacionamiento según las instrucciones de mantenimiento (consulte la última viñeta de la página anterior: "Cada 100 horas").
F. El motor pierde potencia durante los giros y los cambios de marcha hacia delante y en reversa.	<ol style="list-style-type: none"> 1. El nivel de aceite del motor es bajo. 	<ol style="list-style-type: none"> 1. Llene al nivel de aceite correcto.
G. El motor funciona por un tiempo corto y se detiene.	<ol style="list-style-type: none"> 1. Hay restricción de flujo de combustible. 	<ol style="list-style-type: none"> 1. Consulte el manual del motor.
H. La unidad LazyLiner aún se mueve después de poner el freno de estacionamiento.	<ol style="list-style-type: none"> 1. El freno de estacionamiento no se activa en los neumáticos. 	<ol style="list-style-type: none"> 1. Ajuste el freno de estacionamiento según las instrucciones de mantenimiento (consulte la última viñeta de la página anterior: "Cada 100 horas").

Si no se ha podido resolver el problema contacte al servicio de atención al cliente de Titan.




Indice

Norme di sicurezza	34
Dati tecnici	35
Componenti / Identificazione dei controlli.....	36-38
Funzioni di comfort regolabili	39
Installazioni.....	39
Lista di controllo funzionamento	39
Funzionamento.....	40
Manutenzione	40
Eliminazione di anomalie	41
Garanzia	75

Norme di sicurezza

Il presente manuale contiene informazioni che devono essere lette e capite prima di utilizzare l'apparecchio. Ogni volta che si trova uno dei seguenti simboli si prega di prestare molta attenzione e di rispettare le norme di sicurezza.

È obbligatorio leggere e rispettare tutte le istruzioni del manuale operativo dei motori Honda e delle apparecchiature LazyLiner di Titan.

	Questo simbolo indica un potenziale rischio di lesioni gravi o morte. Seguono importanti avvertenze per la sicurezza.
 Attenzione	Questo simbolo indica un potenziale rischio per sé stessi o per l'apparecchio. Seguono importanti avvertenze per la sicurezza per evitare danni all'apparecchio e prevenire le cause di lesioni minori.
	Le note contengono informazioni importanti, si raccomanda di prestare particolare attenzione.

Lavori o riparazioni sull'equipaggiamento elettrico:

Far eseguire questi lavori solo da un elettricista. Non ci assumiamo nessuna responsabilità di un'installazione irregolare o scorretta.

Trasporto e conservazione

Questo apparecchio sopporta, o è protetto da, temperature di trasporto e conservazione da -25°C a +55°C e per brevi periodi fino a +70°C.

È stato imballato in modo da impedire danni derivanti dagli effetti da umidità normale, vibrazione e shock.



PERICOLO VEICOLO IN MOVIMENTO

Un comportamento non attento e spericolato provoca incidenti. Cadere dal veicolo, guidare verso persone o oggetti o essere colpiti da altri veicoli può provocare lesioni gravi o morte.

PREVENZIONE:

- Quando si sale su LazyLiner, non poggiare il piede sul pedale marcia avanti/marcia indietro.
- Eseguire le svolte lentamente e limitarle ad un massimo di 45°.
- Non usare su pendenze superiori a 15°.
- Prestare attenzione quando si viaggia su discese estreme e su pendenze della strada per evitare perdita di trazione.
- Non trasportare passeggeri.
- Non rimorchiare senza l'apposito rimorchio e limitare il carico utile.
- Seguire tutti i regolamenti locali su autostrade e trasporti.
- Non mettere in funzione l'attrezzatura se le condizioni di illuminazione non sono adeguate.
- Utilizzare l'apparecchio solo su superfici pulite e solide.



PERICOLO DI USTIONI

Per evitare ustioni gravi, evitare apparecchi o liquidi caldi. Aspettare finché apparecchi/liquidi non si sono completamente raffreddati.

Non mettere materiali infiammabili (per es. tappetini impregnati di olio) sul motore.



PERICOLO MONOSSIDO DI CARBONIO

Respirare monossido di carbonio può provocare la morte. Non usare in aree chiuse.



DISPOSITIVI DI PROTEZIONE PERSONALE

Indossare appropriati dispositivi di protezione quando si usa l'apparecchiatura o si esegue manutenzione sullo stesso per contribuire alla protezione della persona da lesioni gravi.

PREVENZIONE:

- Occhiali di protezione
- Abiti e respiratore consigliato dal produttore
- Scarpe con puntale in acciaio
- Guanti
- Protezione per l'udito



PERICOLO DI INCENDIO E ESPLOSIONE

Fumi infiammabili, come fumi da solventi e vernici, nell'area di lavoro possono incendiarsi o esplodere.



PREVENZIONE:

- Usare l'apparecchiatura solo in zone ben ventilate.
- Non riempire il carburante quando il motore è in funzione o è caldo.
- Eliminare tutte le fonti di incendio quando sono presenti fumi infiammabili.
- Tenere l'area di lavoro libera da detriti
- Se vi sono scintille statiche o si avverte uno shock, interrompere immediatamente l'uso.
- Tenere un estintore nell'area di lavoro.



STOCCAGGIO

Non lasciare LazyLiner all'aperto senza protezione, deve essere conservato in un luogo asciutto.



TRASPORTO

LazyLiner non può essere agganciato al gancio di un rimorchio di un veicolo a motore per il trasporto. LazyLiner può essere solo trasportato da un vettore di merci con una base piatta dopo essere stato agganciato in modo sicuro.

Pericolo di rimanere schiacciati! Sono necessarie diverse persone per caricare o scaricare LazyLiner. LazyLiner non può essere trasportato con una gru.

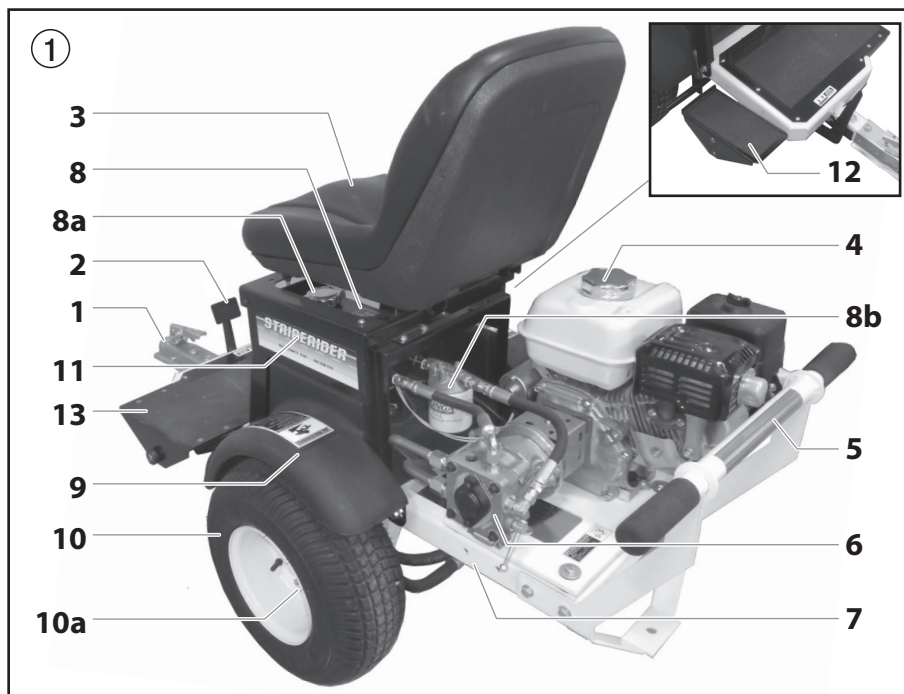


Dati tecnici

	LazyLiner Pro	LazyLiner Elite
Motore		
	Honda GX160, avviamento a strappo	Honda GX200, avviamento elettrico, 16 A/200 W
Tipo di olio per il motore		
	SAE10-30W (0,6 l)	SAE10-30W (0,6 l)
Peso		
	118 kg	127 kg
Dimensioni (L x L x A, sedile in posizione rialzata)		
	145 cm x 66 cm x 107 cm	157 cm (con barra respingente installata) x 74 cm x 107 cm
Velocità massima		
In avanzamento	0-16 km/h	0-16 km/h
In retromarcia	0-11 km/h	0-11 km/h
Pressione acustica		
	85 dB*	85 dB*
Livello di vibrazione (con attrezzatura traccialinee montata)		
	<2,5 m/s ² (a destra e a sinistra)	<2,5 m/s ² (a destra e a sinistra)
Pressione massima degli pneumatici		
	1,7 bar	1,7 bar
Costruzione	Telaio e dispositivi di protezione della costruzione con saldatura in acciaio, arco di protezione e paraurti in acciaio del motore con copertura in polvere di tipo industriale	
Comandi di guida	Trasmissione idrostatica in ghisa per spostamenti in avanzamento e in retromarcia	
	Un pedale acceleratore (in avanzamento/in retromarcia)	
	Differenziale di comando per il controllo della tracciatura	
	Comando con catena in rulli a doppia riga	
	Olio intero sintetico Mobil 1™ 15W50 (4 quarti)	
Pressione idraulica di esercizio		
	186 bar	186 bar
Temperatura di esercizio	+10 °C e +40°C (+50 °F e +104 °F)	
Umidità relativa	50%, a +40 °C (+104 °F) (a temperature più basse, un valore superiore dell'umidità relativa non è problematico)	
Altitudine di esercizio	3000 m (9843') SLM al massimo	
Freno di stazionamento	Freno di stazionamento manuale	
Attacco	Per l'installazione sull'attrezzatura traccialinee Titan e Graco	
Sedile	Versione deluxe, schienale superiore imbottito con controllo di comfort regolabile e sensore del peso per l'arresto di sicurezza	

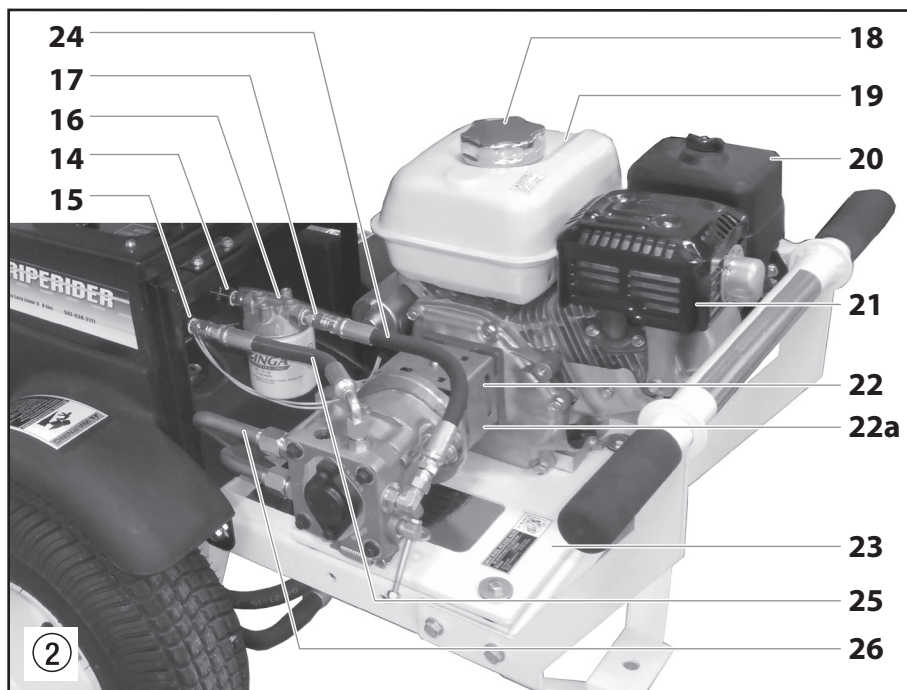
* Misurato in corrispondenza della posizione del sedile.

Componenti / Identificazione dei controlli



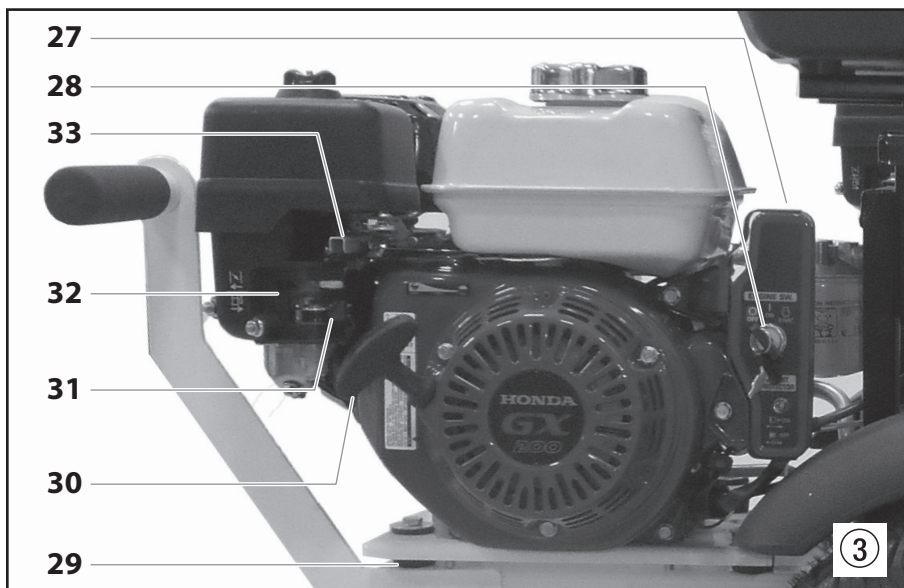
* 2413480 Il vassoio di trasporto (accessorio opzionale, non mostrato nella foto) si fissa alla barra del paraurti sopra il motore.

#	Ord. #	Denominazione	
1	290647	Staffa dell'accoppiatore	
2	290648	Leva del freno manuale	
3	290675	Sedile	
	290173	Sedile safety switch	
4	0537547A	Motore (GX200, avviamento elettrico illustrato, Elite)	
	980-331A	Motore (GX160, solo modello Pro)	
5	2423493	Barra respingente, Honda (solo modello Pro)	
	0290646Z	Barra respingente, Subaru (solo modello Pro)	
6	290649	Pompa idraulica BDP	
7	290650	Telaio principale	
8	290652	Tanica idraulica, 4 quarti	
	a	290678	Tappo della tanica idraulica
	b	290679	Filtro idraulico
9	-----	Paraurti	
10	290676	Assemblaggio della ruota, Elite (2)	
	290677	Assemblaggio della ruota, Pro (2)	
a	290682	Dadi con estremità conica (4 per ruota)	
11	290653	Telaio del sedile	
12	-----	Pedale	
13	290656	Poggiatesta	

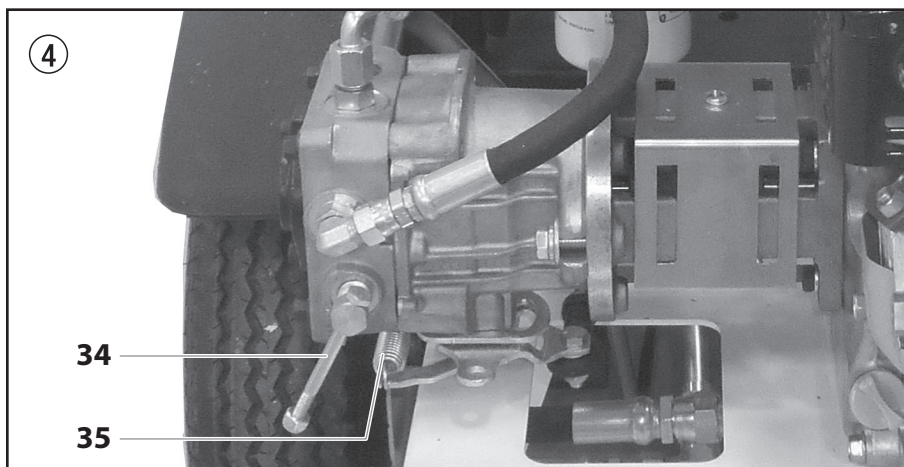


#	Ord. #	Denominazione
14	290394	Raccordo filettato, maschio NPT da 1/4"
15	290396	Gomito, 90°
16	290657	Alloggiamento del filtro dell'olio e spin-on
17	290395	Gomito, 90°
18	-----	Tappo del gas ventilato
19	-----	Tanica del gas
20	-----	Filtro dell'aria
21	-----	Assemblaggio del silenziatore
22	290658	Alloggiamento del montaggio della pompa in alluminio
	a	290659
23	290660	Montaggio da motore a telaio, con otto cuscinetti in gomma per l'isolamento delle vibrazioni
24	290655	Condotta idraulica di pressione dal filtro alla pompa
25	290661	Condotta idraulica di ritorno dalla pompa BDP alla tanica
26	290662	Condotte rigide in acciaio per il collegamento dei fori del motore a ruote alla pompa

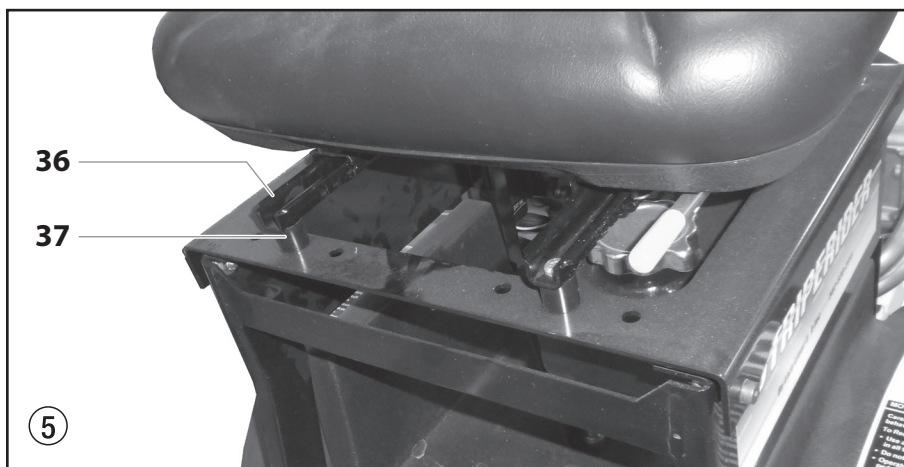
Componenti / Identificazione dei controlli



#	Ord. #	Denominazione
27	-----	Rettificatore per magnete (solo unità Elite). Vedere il manuale del motore.
28	-----	Commutatore a chiave per unità Elite (7 hp)
29	290663	Cuscinetti di isolamento in gomma per la piastra del motore al telaio
30	-----	Avviamento a strappo con rinculo (unità Pro ed Elite)
31	-----	Sistema di arresto del combustibile
32	-----	Leva di otturazione
33	-----	Valvola a farfalla del motore (unità Pro ed Elite)

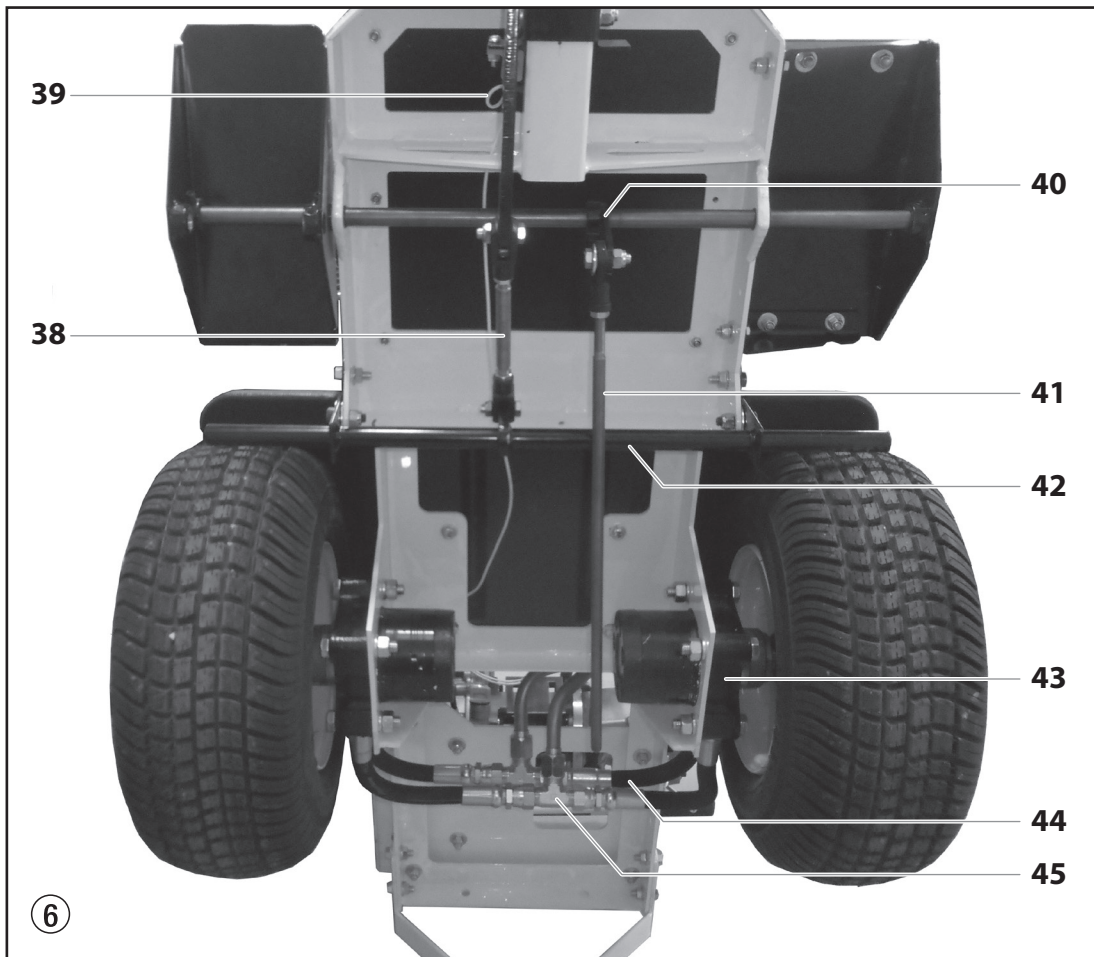


#	Ord. #	Denominazione
34	-----	Valvola di scarico idraulico, bypass. Girare in senso orario per ingranare i componenti idraulici ai comandi di guida; allentare per staccarli (girare in senso antiorario per 180-360 gradi)
35	290665	Molla e meccanismo di messa a folle, per il raccordo verso il collegamento del pedale sotto il telaio



#	Ord. #	Denominazione
36	290391	Staffa di regolazione del sedile (2)
37	290392	Distanziatore (4)

Componenti / Identificazione dei controlli



#	Ord. #	Denominazione
38	-----	Sistema del freno di stazionamento funzionante manualmente, la parte finale dell'elemento 2 ingrana su questo sistema
39	290680	Cablaggio, arresto del motore
40	290393	Estremità della biella
41	290670	Asta di collegamento, connette l'albero del pedale al ritorno sulla pompa BDP (7/16esimi diametro esterno)
42	290671	Asta di chiusura del freno di stazionamento
43	290672	Doppi motori a ruote con comandi idraulici

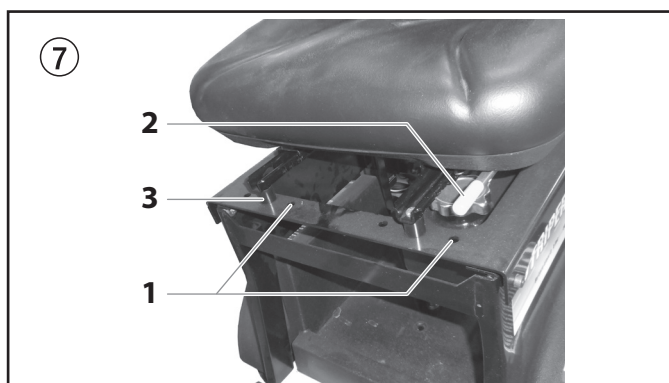
#	Ord. #	Denominazione
44	290673	Condotte idrauliche per il collegamento dei motori a ruote alle condotte rigide in acciaio della pompa, 4 in totale, due maschi
45	290674	a tre vie per motore, raccordi a T per il collegamento delle condotte dei motori a ruote alle condotte rigide in acciaio dalla pompa
	290681	Cavi della batteria, positivo e negativo (solo Elite, non illustrati).

Funzioni di comfort regolabili

Sedile regolabile

Il sedile dell'unità LazyLiner può essere regolato, sistemato e posizionato in modo da usufruire di un maggior livello di comodità nell'utilizzo quotidiano del macchinario, a seconda delle proprie esigenze. Nella figura 7 è illustrato il sedile posizionato sul lato destro.

1. Per modificare la posizione del sedile e collocarlo a destra o a sinistra, rimuovere i dadi sotto le guide del sedile e allineare le guide in questione con un'altra delle serie di fori (fig. 7, elemento 1) presenti nel telaio del sedile. È possibile posizionare il sedile verso destra o verso sinistra oppure al centro del relativo telaio.
2. Il sedile può essere regolato e spinto in avanti o indietro utilizzando la leva manuale (2) che si trova sotto il sedile stesso, sul lato sinistro. Tirare la leva e sistemare il sedile spingendolo in avanti o indietro, in base alla posizione desiderata.
3. I distanziali (3) possono essere installati o rimossi per regolare il sedile su o giù.



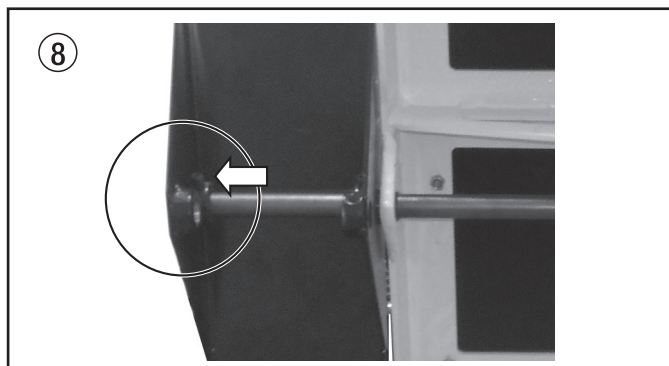
Pedale regolabile

Il pedale dell'acceleratore (pedale a destra) del LazyLiner può essere regolato su diverse angolature e portato su una posizione più bassa o più alta. Avvalendosi di queste funzioni, è possibile ridurre l'affaticamento di piede e caviglia, nonché disporre di più spazio per le gambe e impostare l'altezza giusta per raggiungere il pedale più comodamente.

Al momento della spedizione, il pedale l'unità LazyLiner si trova nella posizione più bassa.

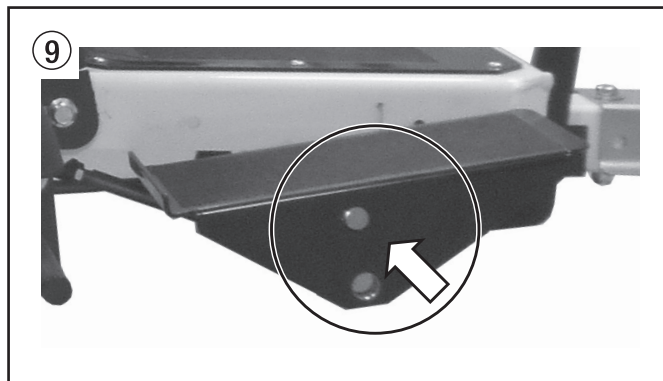
Per regolare la posizione del pedale dell'acceleratore, effettuare le operazioni descritte di seguito.

1. Sotto il pedale, individuare le due viti di bloccaggio che collegano il pedale all'albero. Allentare tali viti utilizzando una chiave esagonale.



i Per modificare l'altezza dei pedali, è necessario rimuovere completamente le viti. Per regolare l'angolazione del pedale ma non l'altezza, invece, le viti di fissaggio devono essere semplicemente allentate e non rimosse del tutto.

2. Dopo aver allentato o rimosso le viti di fissaggio, sistemare il pedale in modo che venga a trovarsi nell'angolazione o all'altezza desiderata. Per porre il pedale in posizione RIALZATA, far scorrere l'albero del pedale attraverso il foro inferiore del pedale stesso.



3. Ricollocare e/o stringere le viti di fissaggio per bloccare il pedale in posizione.

i Se le viti di fissaggio non vengono strette a sufficienza, i pedali non ingraneranno nell'albero e la valvola a farfalla non potrà funzionare nel modo corretto.

Installazioni

Installazione della batteria (solo Elite)

Le unità LazyLiner Elite non includono batteria. Affinché sia possibile avvalersi dell'avviamento elettrico in queste unità, è necessario acquistare una batteria separatamente e installarla prima di procedere alla messa in servizio.

1. Fare riferimento al manuale del motore Honda incluso nella documentazione fornita con l'unità LazyLiner per le specifiche relative alla batteria.
2. Nello scomparto che si trova sotto il sedile regolabile, allentare il bullone che fissa la staffa della batteria al telaio.
3. Installare la batteria e agganciarne i cavi ai poli appropriati, vale a dire il cavo rosso al polo positivo (+) e il cavo nero a quello negativo (-).
4. Fissare la staffa sul lato della batteria per tenerla in posizione. Stringere il bullone della staffa per fissare.

Installazione dell'attacco del rimorchio

1. Installare l'attacco del rimorchio sul retro dell'attrezzatura traccialinee. Seguire le istruzioni separate incluse nella documentazione dell'unità LazyLiner.
2. Sollevare la leva di bloccaggio sulla staffa dell'accoppiatore dell'unità LazyLiner e posizionarla sopra l'attacco del rimorchio. Agganciare l'unità LazyLiner sull'attrezzatura traccialinee accertandosi che l'attacco ingrani correttamente. Fissare l'attacco con bullone e copiglia.

Lista di controllo funzionamento

Rivedere la lista di pre-utilizzo come segue:

1. Verificare nuovamente che tutti i componenti siano correttamente installati per garantire un funzionamento sicuro
2. Controllo olio motore.
3. Controllo olio di trasmissione.
4. Fornitura carburante con benzina senza piombo nel serbatoio.
5. Controllo pressione pneumatici.

Funzionamento



Prima di mettere in servizio l'attrezzatura, leggere attentamente tutte le istruzioni contenute nel manuale di funzionamento dei motori Honda.

1. Controllare il livello dell'olio del motore. Fare riferimento al manuale fornito insieme al motore per informazioni sul corretto livello dell'olio e la manutenzione. Di norma, il motore viene fornito dopo essere stato collaudato e include olio di fabbrica.
2. Controllare il livello dell'olio della trasmissione nell'unità rimuovendo il tappo di rifornimento della tanica idraulica. Per essere al livello corretto, l'olio deve rimanere 2/2,5 cm circa al di sotto del bordo superiore della tanica.



Attenzione

Qualora fosse necessario aggiungere dell'olio o sostituirlo, accertarsi di utilizzare sempre olio intero sintetico Mobil 1™ 15W50. Non utilizzare mai "olio idraulico" per questo sistema.

3. Rimuovere il tappo del gas e riempire la tanica con del normale gas senza piombo, controllando che la leva di arresto del combustibile sia in posizione di accensione. Ricollocare il tappo del gas.
4. Sedersi sull'unità LazyLiner o ingranare il freno di stazionamento.
5. Avviare il motore:
 - a. Ingranare il freno di stazionamento (fare riferimento alla figura 1, elemento 2). Spingere il braccio in avanti per ingranare il freno.
 - b. Spostare la valvola del carburante sulla posizione di apertura e la valvola di otturazione sulla posizione di chiusura (per le unità con avviamento elettrico o a strappo devono essere eseguite le medesime operazioni).
 - c. Girare la valvola a farfalla verso l'alto e l'interruttore del motore sulla posizione di accensione (in caso di unità con avviamento a strappo).
 - d. Tirare il cavo del motore o ingranare il commutatore a chiave.
 - e. Dopo che il motore si è acceso, spostare la valvola di otturazione in posizione di funzionamento e impostare quella a farfalla sulla posizione desiderata.



Non è possibile avviare l'unità LazyLiner se il freno di stazionamento non è ingranato o se l'operatore non è seduto. Se il freno non è ingranato o se l'operatore non è seduto, il sistema dell'interruttore di sicurezza impedirà l'avviamento del motore.

6. Afferrare il manubrio e stringere il dispositivo di sgancio della ruota orientabile.
7. Premere sui pedali spingendo sull'alluce per avanzare o sul tallone per spostarsi in retromarcia, come necessario. Per far girare le unità, occorre utilizzare il dispositivo di tracciatura delle strisce e rilasciare la ruota orientabile.
8. Per far sì che l'unità LazyLiner raggiunga la velocità desiderata (0-16 km/h in avanzamento, 0-11 km/h in retromarcia), premere con maggior forza sull'assemblaggio dei pedali. Non appena si rilasceranno i pedali e questi torneranno nella posizione centrale o di folle, l'unità si arresterà completamente. La pressione idraulica crea la forza di arresto o di frenatura necessaria per far fermare l'unità.



Se l'unità LazyLiner non si sposta, stringere il bypass della valvola di scarico idraulico (vedere figura 4, elemento 34). Stringere girando in senso orario per 180 gradi per ingranare il comando di guida.



Quando l'unità LazyLiner non è funzione, il freno di stazionamento deve rimanere SEMPRE ingranato.

Manutenzione

Leggere quanto segue per conoscere il tipo di manutenzione da eseguire su LazyLiner a determinati intervalli di uso.



Per informazioni dettagliate sulla manutenzione e la cura del motore, leggere le istruzioni contenute nel manuale operativo dei motori Honda.

Quotidianamente:

- Controllare il livello dell'olio nel motore e rabboccare secondo necessità.
- Controllare il serbatoio trasmissione olio idraulico e rabboccare se necessario. L'olio e il filtro devono essere cambiati ogni 650-700 ore di servizio.
- Controllare e riempire il serbatoio della benzina con regolare benzina senza piombo.
- Controllare gli pneumatici e gonfiare fino a 1,7 bar se necessario
- Pulire l'apparecchiatura: non usare mai una pompa dell'acqua per lavare.
- Controllare e pulire ad aria. Sostituire quando necessario.

Dopo le prime 20 ore:

- Scaricare e riempire nuovamente l'olio motore con olio SAE 10W-30. Vedere le specifiche dei produttori per i valori API.

Ogni settimana:

- Aggiungere una piccola quantità di grasso all'accoppiatore della sfera nell'area della sfera.
- Controllare l'integrità di tutta la struttura. Stringere tutti i bulloni o i dadi allentati.

Ogni 50 ore:

- Sostituire la candela.
- Ispezionare il sistema per eventuali perdite di olio nel gruppo motore.

Ogni 100 ore:

- Spruzzare la catena con un apposito spray a secco per motocicli.
- Ingrassare i cuscinetti dell'assale – Grasso tipo Moly, due spruzzi di pistola per ingrassaggio. Pulire il grasso in eccesso dai cuscinetti.
- Scaricare e riempire nuovamente l'olio motore con olio SAE 10W-30. Vedere le specifiche dei produttori per i valori API.
- Controllare e rabboccare se necessario il serbatoio della trasmissione.
- Controllare la tensione della catena e reimpostare la tensione della ruota dentata, se necessario. Rimuovere la copertura della trasmissione e controllare la cinghia di trasmissione. Stringere nuovamente se necessario.
- Usare l'aria per rimuovere la polvere accumulata all'interno della copertura.
- Girare gli pneumatici per far sì che si consumino in modo più uniforme e durino più a lungo. Man mano che gli pneumatici si usurano, sarà necessario sistemare l'assemblaggio del freno per migliorarne il contatto con gli pneumatici. Allentare i due bulloni da 3/8" che fissano l'assemblaggio del freno al telaio. Tamburellare sul montaggio dell'assemblaggio del freno verso il retro dell'unità per spostarlo da 0,30 a 0,60 cm. Stringere di nuovo i bulloni.



Eliminazione di anomalie

Tipo di anomalia	Possibile causa	Misura per eliminare l'anomalia
A. Il motore non si avvia	<ol style="list-style-type: none">1. Il motore si spegne, manca la benzina o l'olio è basso.2. Batteria scarica3. Freno di stazionamento non ingranato.4. Guidatore assente, sensore non innescato	<ol style="list-style-type: none">1. Vedere il manuale del motore.2. Tirare il cavo di avviamento3. Impostare il freno di stazionamento.4. Sedere sul sedile del guidatore
B. Il motore arriva a gpm alti o si arresta durante il funzionamento	<ol style="list-style-type: none">1. Leva dell'acceleratore, regolatore usurati.	<ol style="list-style-type: none">1. Vedere il manuale del motore.
C. Il motore funziona, il LazyLiner non va né avanti né indietro.	<ol style="list-style-type: none">1. Olio idraulico basso.2. Il pedale acceleratore non è stato regolato in modo corretto.3. Le estremità della biella sull'albero orizzontale del doppio pedale sono allentate.4. Il freno di stazionamento è impostato.5. Il bypass della valvola di scarico idraulico è aperto.	<ol style="list-style-type: none">1. Riempire con olio idraulico.2. Stringere le viti di fissaggio che si trovano sotto i pedali per fissare l'albero.3. Accertarsi che le estremità della biella (vedere figura 6, elemento 40) siano fissate all'albero orizzontale del doppio pedale.4. Rilasciare il freno di stazionamento.5. Chiudere il bypass della valvola di scarico idraulico.
D. Il motore funziona, LazyLiner si sposta lentamente marcia avanti o marcia indietro.	<ol style="list-style-type: none">1. Olio idraulico basso.2. Il pedale acceleratore non è stato regolato in modo corretto.3. Le estremità della biella sull'albero orizzontale del doppio pedale sono allentate.4. Il freno di stazionamento è impostato.5. Il bypass della valvola di scarico idraulico è aperto.	<ol style="list-style-type: none">1. Riempire con olio idraulico.2. Stringere le viti di fissaggio che si trovano sotto i pedali per fissare l'albero.3. Accertarsi che le estremità della biella (vedere figura 6, elemento 40) siano fissate all'albero orizzontale del doppio pedale.4. Rilasciare il freno di stazionamento.5. Chiudere il bypass della valvola di scarico idraulico.
E. Freno di stazionamento impostato, il motore continua a funzionare quando l'operatore esce dall'unità LazyLiner.	<ol style="list-style-type: none">1. Interruttore di sicurezza difettoso.2. Freno di stazionamento non ingranato sugli pneumatici.	<ol style="list-style-type: none">1. Contattare l'assistenza clienti di Titan.2. Regolare il freno di stazionamento in base alle istruzioni riportate sul manuale di manutenzione (vedere l'ultimo elenco puntato "Ogni 100 ore" nella pagina precedente).
F. Il motore gira a vuoto durante le svolte e i cambi di marcia avanti e marcia indietro.	<ol style="list-style-type: none">1. Olio motore basso.	<ol style="list-style-type: none">1. Riempire l'olio ad un livello corretto.
G. Il motore funziona per un po' e poi si arresta.	<ol style="list-style-type: none">1. Limite flusso carburante.	<ol style="list-style-type: none">1. Vedere il manuale del motore.
H. L'unità LazyLiner continua a muoversi dopo l'impostazione del freno di stazionamento.	<ol style="list-style-type: none">1. Freno di stazionamento non ingranato sugli pneumatici.	<ol style="list-style-type: none">1. Regolare il freno di stazionamento in base alle istruzioni riportate sul manuale di manutenzione (vedere l'ultimo elenco puntato "Ogni 100 ore" nella pagina precedente).

Contattare il servizio clienti Titan se non è possibile risolvere il problema.




Índice

Normas de segurança.....	42
Dados técnicos.....	43
Identificação das peças / controlos	44-46
Funcionalidades de conforto ajustáveis.....	47
Preparação.....	47
Verificações de funcionamento	47
Funcionamento.....	48
Manutenção	48
Solução em caso de falhas.....	49
Garantia	75

Normas de segurança

Este manual contém informação que tem de ser lida e compreendida antes de o equipamento ser utilizado. Quando chegar a uma secção que tenha um dos seguintes símbolos, preste especial atenção e certifique-se de que está atento à salvaguarda.

É imperativo que leia com atenção todas as instruções no manual de funcionamento para os motores Honda e o equipamento Titan LazyLiner.

	Este símbolo indica um potencial perigo que pode causar ferimentos graves ou perda de vida. Siga-se importante informação de segurança.
 Atención	Este símbolo indica um potencial perigo para o utilizador ou para o equipamento. Seguem-se informações importantes que informam como evitar danos no equipamento ou causas de ferimentos ligeiros.
	As notas dão informações importantes às quais devem ser dadas especial atenção.

Trabalhos ou reparações no equipamento eléctrico:

Estes trabalhos só devem ser realizados por um electricista devidamente qualificado. Não se assume qualquer responsabilidade por uma instalação incorrecta.

Transporte e Armazenamento

Este equipamento resistirá, ou está protegido contra, temperaturas de transporte e de armazenamento de -25°C a +55°C e para períodos de curta duração até +70°C.

Foi embalado de forma a evitar os danos dos efeitos normais da humidade, vibração e choque.



PERIGO DO VEÍCULO EM MOVIMENTO

O comportamento descuidado e imprudente causam acidentes. Cair do veículo, colidir com pessoas ou objectos, ou ser atingido por outros veículos pode causar lesões graves ou morte.

PREVENÇÃO:

- Quando subir para o LazyLiner, não pise no pedal de avanço/retrocesso.
- Gire lentamente e limite as curvas para 45° ou inferior.
- Não trabalhe em declives superiores a 15°.
- Tenha cuidado quando percorrer em descidas extremas e declives de estrada de forma a evitar perda de tracção.
- Não transporte passageiros.
- Não reboque sem o conjunto de reboque e limite a carga.
- Siga todas as normas da auto-estrada local e de transportes.
- Não utilize o equipamento sem iluminação adequada.
- Apenas utilize o equipamento em superfícies limpas e sólidas.



PERIGO DE QUEIMADURAS

Para evitar queimaduras graves, evite os líquidos ou equipamento quente. Aguarde que o equipamento/líquido arrefeça completamente. Não coloque quaisquer materiais inflamáveis (ex. trapos encharcados de óleo) no motor.



PERIGO DE MONÓXIDO DE CARBONO

Respirar monóxido de carbono pode causar a morte. Não trabalhe numa área fechada.



EQUIPAMENTO DE PROTECÇÃO PESSOAL

Use equipamento de protecção adequado quando funcionar ou fizer a manutenção do equipamento de forma a ajudar a proteger-se de lesões graves:

PREVENÇÃO:

- Protecção para os olhos
- Roupa e máscara respiratória recomendadas pelo fabricante
- Sapatos com ponta de aço
- Luvas
- Protecção auditiva



PERIGO DE INCÊNDIO E EXPLOSÃO

Vapores inflamáveis, tais como vapores de solventes e tintas, podem inflamar-se ou explodir no local de trabalho.



PREVENÇÃO:

- Use equipamento numa área bem ventilada.
- Não encha o depósito de combustível enquanto o motor estiver quente ou a trabalhar.
- Elimine todas as fontes de ignição quando houver vapores inflamáveis.
- Mantenha o local de trabalho sem resíduos
- Se ocorrer a formação de electricidade estática ou se sentir um choque, pare imediatamente o funcionamento.
- Guarde um extintor no local de trabalho.



ARMAZENAMENTO

Não deixe o LazyLiner ao ar livre sem protecção, deve ser armazenado num local seco.



TRANSPORTE

O LazyLiner não pode ser preso no engate de reboque num veículo a motor para ser transportado. O LazyLiner só pode ser transportado por um transportador de carga com caixa aberta após ter ficado preso de forma segura.

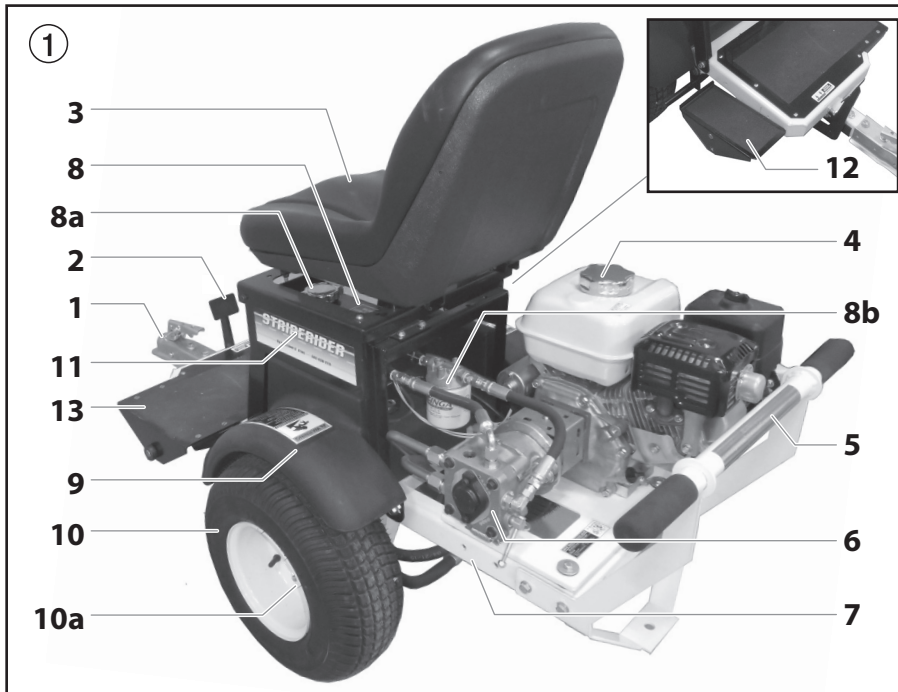
Perigo de esmagamento! São necessárias várias pessoas para carregar ou descarregar o LazyLiner. O LazyLiner não pode ser transportado com um guindaste.

Dados técnicos

	LazyLiner Pro	LazyLiner Elite
Motor		
	Honda GX160, arranque manual	Honda GX200, arranque elétrico, 16A/200W
Tipo de óleo do motor		
	SAE10-30W (0,6 l)	SAE10-30W (0,6 l)
Peso		
	118 kg	127 kg
Dimensões (C x L x A, assento na posição levantada)		
	145 cm x 66 cm x 107 cm	157 cm (barra de para-choque instalada) x 74 cm x 107 cm
Velocidade máxima		
Avanço	0-16 KM/h	0-16 KM/h
Marcha-atrás	0-11 KM/h	0-11 KM/h
Pressão sonora		
	85 dB*	85 dB*
Nível de vibração (com o equipamento de pintura de linhas anexado)		
	< 2,5 m/s ² (mão direita e esquerda)	< 2,5 m/s ² (mão direita e esquerda)
Pressão máx. de pneu		
	1,7 bar	1,7 bar
Construção	Toda a construção do chassis e as proteções são de aço soldado, a barra de proteção do motor e os para-choques de aço têm revestimento em pó industrial.	
Acionamento	Transmissão hidrostática de ferro fundido para as operações de avanço e retrocesso Um pedal acelerador (avançar/recuar) Diferencial do controlo do acionamento da rota Corrente de acionamento de rolo de fila dupla Mobil 1™ 15W50 óleo totalmente sintético (4 litros)	
Pressão de funcionamento hidráulico		
	186 bar	186 bar
Temperatura de funcionamento	+10°C e +40°C (+50°F e +104°F)	
Humidade relativa	50%, a +40°C (+104°F) (uma humidade relativa mais elevada não constitui qualquer problema a temperaturas mais baixas.)	
Altitude de funcionamento	máx. 3000m (9843') acima do nível do mar	
Travão de estacionamento	Travão de estacionamento manual	
Engate	Para instalação no equipamento de pintura de linhas Titan e Graco	
Assento	De luxo, costas altas acolchoadas com controlos cómodos ajustáveis e sensor de peso para desligar com segurança.	

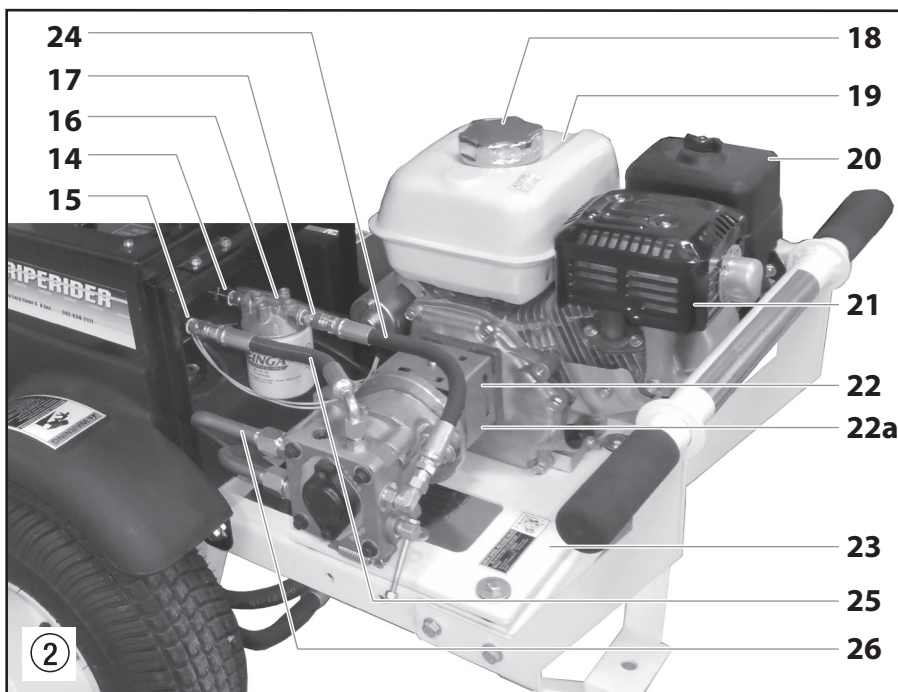
* Medido ao nível da posição do assento.

Identificação das Peças / Controlos



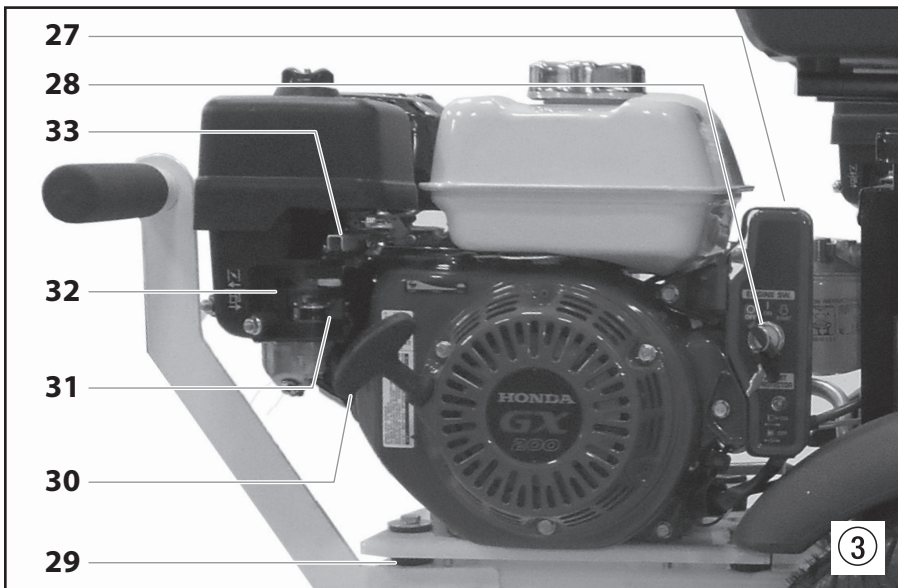
* 2413480 A bandeja transportadora (acessório opcional, não mostrado na foto) é fixada na barra do pára-choque acima do motor.

#	Peça #	Descrição	
1	290647	Suporte do acoplador	
2	290648	Alavanca do travão manual	
3	290675	Assento	
	290173	Assento safety switch	
4	0537547A	Motor (arranque elétrico de GX200, ilustrado, Elite)	
	980-331A	Motor (GX160, apenas Pro)	
5	2423493	Barra de para-choque, Honda (apenas Pro)	
	0290646Z	Barra de para-choque, Subaru (apenas Pro)	
6	290649	Bomba hidráulica BDP	
7	290650	Estrutura Principal	
8	290652	Depósito hidráulico, 4 l.	
	a	290678	Tampa do depósito hidráulico
	b	290679	Filtro hidráulico
9	-----	Para-choque	
10	290676	Conjunto da roda, Elite (2)	
	290677	Conjunto da roda, Pro (2)	
a	290682	Porcas da roda (4 por roda)	
11	290653	Estrutura do assento	
12	-----	Pedal	
13	290656	Base para os pés	

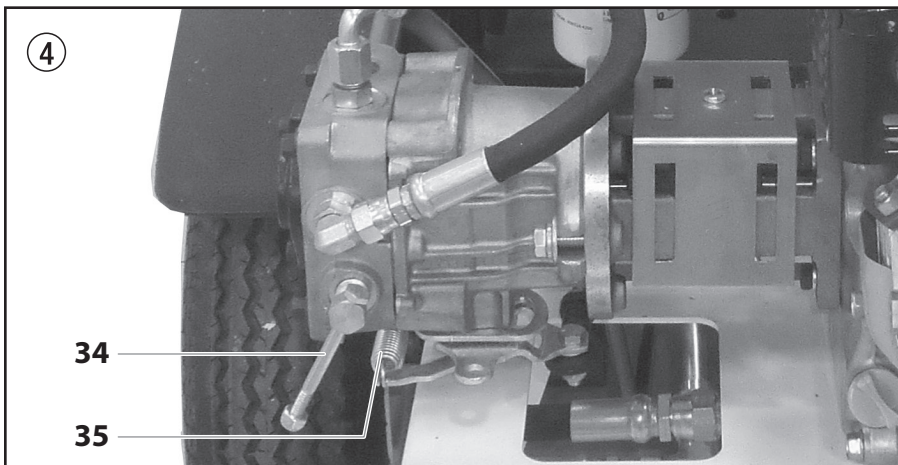


#	Peça #	Descrição
14	290394	Bocal, 1/4" NPT macho
15	290396	Cotovelo, 90°
16	290657	Alojamento do filtro do óleo e spin on
17	290395	Cotovelo, 90°
18	-----	Tampa do combustível ventilada
19	-----	Depósito de gasolina
20	-----	Filtro de ar
21	-----	Conjunto do silencioso
22	290658	Alojamento de montagem da bomba de alumínio
	a	290659
23	290660	Estrutura onde é montado o motor, com 8 buchas de borracha isolantes de vibração
24	290655	Tubo hidráulico de pressão do filtro para a bomba
25	290661	Tubo hidráulico de retorno da bomba BDP para o depósito
26	290662	Tubagens rígidas de aço que ligam os tubos do motor das rodas à bomba

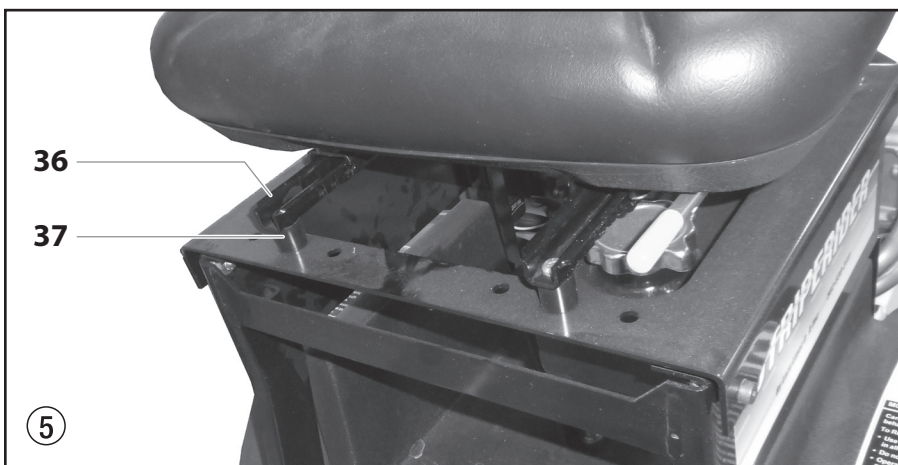
Identificação das Peças / Controlos



#	Peça #	Descrição
27	-----	Retificador de magneto, (apenas Elite) Consulte o manual do motor
28	-----	Comutador de chave para a unidade Elite (7 hp)
29	290663	Buchas de borracha isoladoras para fixar placa do motor
30	-----	Arranque manual (unidades Pro e Elite)
31	-----	Corte de alimentação de combustível
32	-----	Alavanca de estrangulamento
33	-----	Acelerador do motor (unidades Pro e Elite)

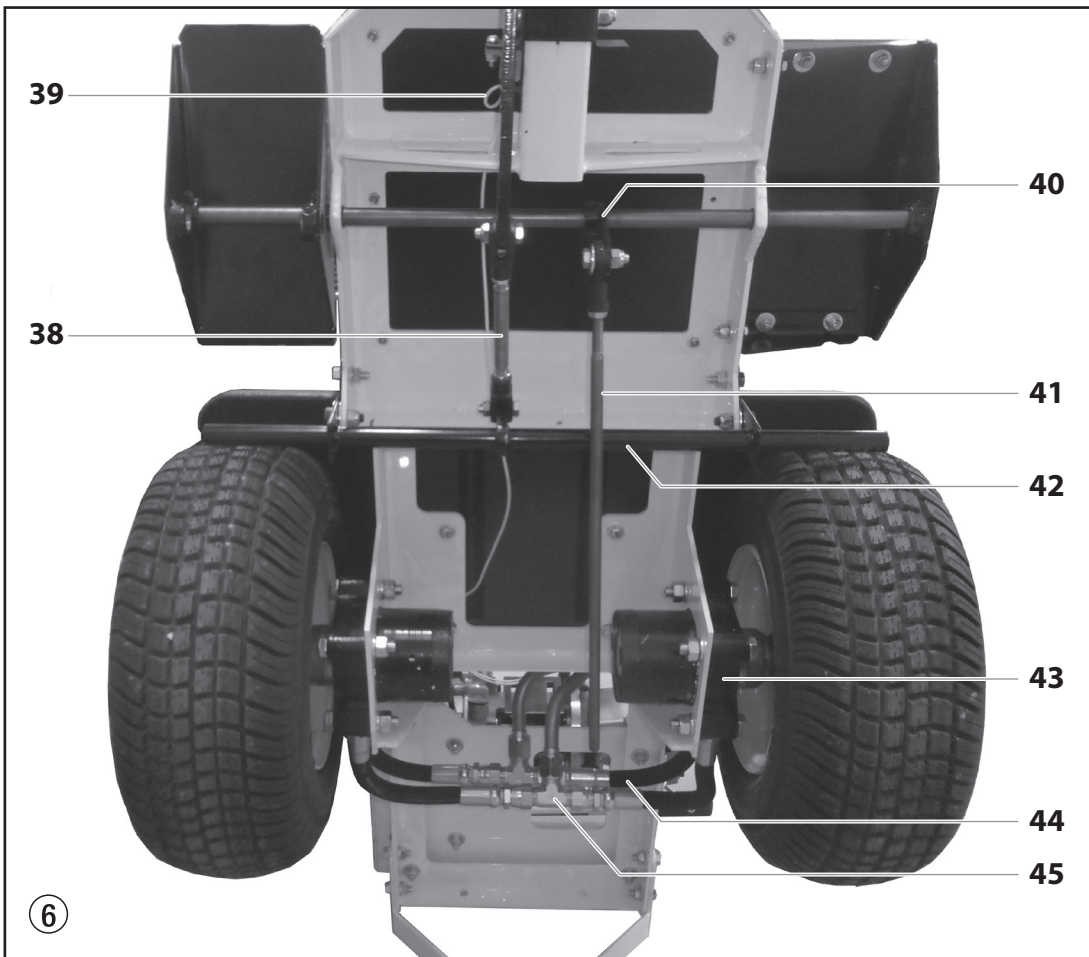


#	Peça #	Descrição
34	-----	Válvula de escape hidráulica, de desvio. Rode no sentido dos ponteiros do relógio para acionar o sistema hidráulico; soltar (rodar 1/2 - 1 volta no sentido contrário dos ponteiros do relógio) para desacionar, posição neutra
35	290665	Mecanismo e mola RTN (voltar à posição neutra), liga à conexão do pedal sob a estrutura



#	Peça #	Descrição
36	290391	Suporte do ajuste do assento (2)
37	290392	Espaçador (4)

Identificação das Peças / Controlos



#	Peça #	Descrição
38	-----	Sistema de travão de estacionamento manual, parte inferior do item #2 que aciona este sistema
39	290680	Arnês dos fios, paragem do motor
40	290393	Extremidades da biela
41	290670	Haste de ligação, liga o eixo do pedal ao RTN na bomba BDP, (7/16ths OD)
42	290671	Barra de bloqueio do travão de estacionamento
43	290672	Motores de roda de acionamento hidráulico duplo

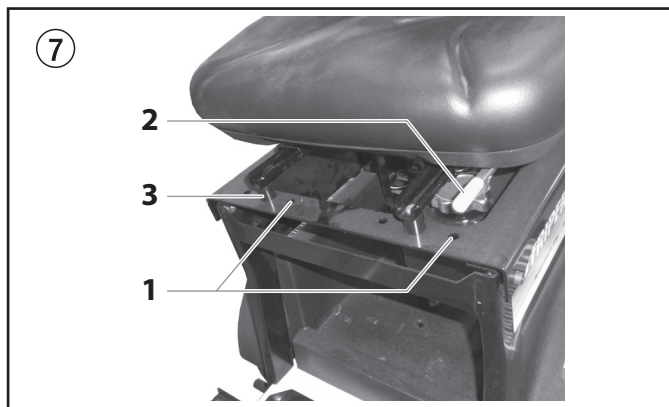
#	Peça #	Descrição
44	290673	Tubos hidráulicos que ligam os motores de roda aos tubos rígidos de aço na bomba, 4 no total, dois por cada motor de roda
45	290674	Conexões machos em "T" de três vias para conectar os tubos do motor de roda aos tubos rígidos de aço da bomba
	290681	Cabos da bateria, positivo e negativo (apenas Elite, não ilustrado)

Funcionalidades de conforto ajustáveis

Assento Ajustável

O assento da unidade LazyLiner pode ser ajustado ou instalado e posicionado para fornecer ao utilizador um nível melhor de conforto para o funcionamento diário, se necessário. A figura 7 ilustra o assento num lado direito na posição neutra.

1. Para alterar a posição do lado esquerdo/direito do assento, remova as porcas debaixo dos carris do assento, e alinhe os carris do assento noutros orifícios (Fig. 7, item 1) na estrutura do assento. O assento pode ser posicionado para o lado direito ou esquerdo ou no meio da estrutura do assento.
2. O assento pode ser ajustado de trás para a frente com a alavanca manual (2) por baixo do assento no lado esquerdo. Puxe a alavanca e ajuste o assento para trás ou para a frente na posição desejada.
3. Os espaçadores (3) podem ser instalados ou removidos para ajustar o assento para cima ou para baixo.



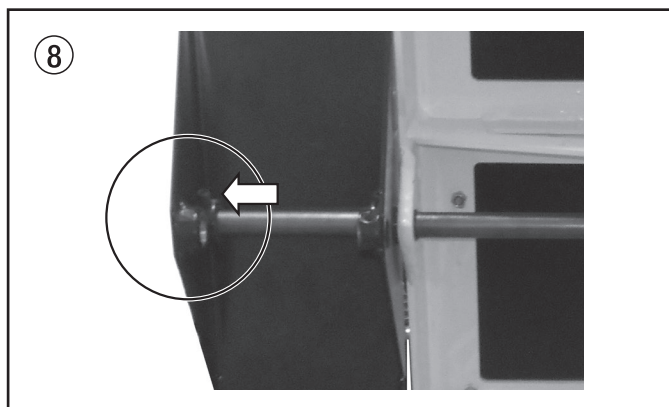
Pedal Ajustável

O pedal do acelerador (o pedal direito) no LazyLiner pode ser ajustado para vários ângulos assim como para uma posição mais alta ou mais baixa. Estas funcionalidades podem ajudar a reduzir a fadiga do pé ou do tornozelo, ou fornecer um pouco mais de espaço para as pernas ou altura de forma a alcançar melhor o pedal.

O LazyLiner é distribuído com o pedal na posição para BAIXO.

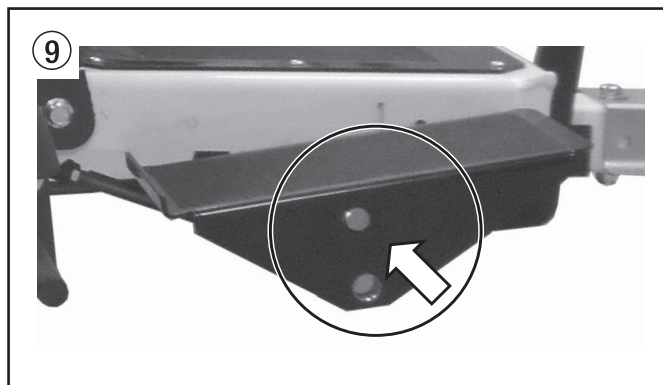
Siga estes passos para ajustar a posição do pedal do acelerador.

1. Localize os dois conjuntos de parafusos debaixo do pedal que fixam o pedal ao eixo. Solte esses parafusos com uma chave sextavada.



Se pretende alterar a altura dos pedais, remova totalmente os parafusos. Se pretende só ajustar o ângulo do pedal mas não a altura, os parafusos não precisam de ser removidos totalmente, basta soltá-los.

2. Quando os parafusos estiverem soltos/removidos, reposicione o pedal na altura e ângulo desejados. Para pôr o pedal na posição para CIMA, coloque o eixo do pedal no último orifício do pedal.



3. Volte a colocar e/ou aperte os parafusos para fixar o pedal.



Se os parafusos não estiverem suficientemente bem apertados, os pedais não engatam no eixo do pedal e o acelerador não funcionará corretamente.

Preparação

Instalar a bateria (apenas Elite)

O LazyLiner Elite não inclui uma bateria. Será necessário comprar uma em separado antes de utilizar, para que o arranque elétrico funcione.

1. Consulte o manual do motor Honda incluído no LazyLiner para obter as especificações adequadas da bateria.
2. No compartimento debaixo do assento ajustável, solte o perno que fixa o suporte da bateria à estrutura.
3. Instale a bateria e fixe os cabos da bateria nos terminais adequados: vermelho para terminal (+) positivo; preto para terminal (-) negativo.
4. Fixe o suporte da bateria ao lado da bateria para segurá-la no lugar. Aperte o perno do suporte para ficar firme.

Instalar o engate de reboque

1. Instale o engate de reboque na traseira do equipamento de pintura de linhas. Siga as instruções em separado incluídas no LazyLiner.
2. Levante a alavanca de bloqueio no suporte do acoplador no LazyLiner e coloque sobre o engate de reboque. Fixe o LazyLiner no equipamento de pintura e certifique-se de que o engate acopla. Prenda o engate com pernos.

Verificações de Funcionamento

Reveja as verificações prévias de funcionamento da seguinte forma:

1. Volte a verificar se todos os componentes estão corretamente instalados para garantir um funcionamento seguro
2. Verifique o óleo do motor.
3. Verifique o óleo da transmissão.
4. Encha o depósito de combustível com gasolina sem chumbo.
5. Verifique a pressão dos pneus.

Funcionamento



Antes de pôr o equipamento a funcionar, por favor leia com atenção as instruções no manual de funcionamento para os motores Honda.

1. Verifique o nível do óleo do motor. Consulte o manual do motor fornecido para saber o nível do óleo e o serviço recomendados. Normalmente, o motor vem da fábrica pré-testado e cheio com óleo.
2. Verifique o nível do óleo da transmissão na unidade ao remover a tampa de enchimento no topo do depósito hidráulico. O nível do óleo deve ficar entre 2 a 2,5 cm do topo do depósito.



Atención

Se o óleo for baixo ou se precisar de ser mudado, use sempre o óleo totalmente sintético Mobil 1™, 15W50. Nunca use “óleo hidráulico” no sistema.

3. Remova a tampa do combustível e encha o depósito com gasolina sem chumbo normal, certifique-se de que a alavanca de corte do combustível está na posição adequada. Recoloque a tampa do combustível.
4. Sente-se no LazyLiner ou engate o travão de estacionamento.
5. Arranque o motor:
 - a. Engate o travão de estacionamento (ver Figura 1, item 2). Empurre o braço para a frente para engatar o travão.
 - b. Mova a válvula do combustível para abrir e a válvula de estrangulamento para fechar (o mesmo em ambas as unidades de arranque elétrico ou arranque manual)
 - c. Ajuste o acelerador para posição elevada e ligue o motor na posição ON (se for uma unidade de arranque manual)
 - d. Puxe a corda do motor ou acione com o comutador de chave
 - e. Após o motor arranque, mude a posição de bloqueio para funcionamento e ajuste o acelerador na posição desejada.



A unidade LazyLiner não pode arranque a menos que o travão de estacionamento esteja engatado ou o operador esteja sentado na posição adequada. Se o travão não estiver engatado ou se o operador não estiver sentado, o sistema de comutação de Segurança não deixará o motor arranque.

6. Os manípulos e rodízios de aperto soltos.
7. Opere os pedais quer no movimento para a frente (ponta do pé para baixo) quer na marcha-atrás (calcanhar para baixo), aquele que for necessário. Para virar as unidades, use o tracejador e solte o rodízio.
8. O LazyLiner alcançará a velocidade desejada (0-16 KM/h para a frente, 0-11 KM/h para trás) ao pressionar com mais ou menos força o conjunto do pedal.

A unidade parará totalmente (rapidamente) quando puser os pedais novamente ao centro ou na posição neutra. A pressão hidráulica cria a paragem ou a funcionalidade de travagem para parar a unidade.



Se o LazyLiner não se mover, o desvio da válvula de escape hidráulica (ver Figura 4, item 34) terá de ser apertada. Rode 1/2 a 1 volta no sentido dos ponteiros do relógio até apertar para engatar o acionamento.



Use SEMPRE o travão de estacionamento quando não estiver a utilizar ou sentado no LazyLiner.

Manutenção

Leia o seguinte, de forma a saber que tipo de manutenção deve ser desempenhada no LazyLiner em determinados intervalos de utilização.



Para obter informações sobre manutenção e cuidados a ter com o motor, por favor leia as instruções no manual de funcionamento para os motores Honda.

Diariamente:

- Verifique o nível do óleo do motor e encha se for necessário.
- Verifique o nível do óleo hidráulico no depósito de transmissão e encha se for necessário. O óleo e o filtro devem ser mudados após cada 650-700 horas de serviço.
- Verifique e encha o depósito de combustível com gasolina regular sem chumbo.
- Verifique os pneus e encha a 1,7 bar se for necessário.
- Limpe o equipamento - Nunca use uma mangueira de água para lavar.
- Verifique e limpe o purificador de ar. Substitua quando necessário

Após as primeiras 20 horas:

- Escolha e volte a encher o motor com óleo SAE 10W-30. Consulte as especificações dos fabricantes para conhecer as classificações API.

Semanalmente:

- Ponha uma pequena quantidade de lubrificante no acoplador de bola dentro da área da bola.
- Verifique se todas as peças estão completas. Aperte qualquer porca ou perno solto.

Cada 50 Horas:

- Substitua a vela de ignição
- Inspeccione o sistema para ver se há fuga de óleo do conjunto de accionamento.

Cada 100 Horas:

- Pulverize a corrente com lubrificante seco para correia de motocicleta.
- Lubrifique os rolamentos de eixo - lubrificante tipo Moly, duas bombas da pistola de lubrificação. Limpe o excesso de lubrificação dos rolamentos.
- Escolha e volte a encher o motor com óleo SAE 10W-30. Consulte as especificações dos fabricantes para conhecer as classificações API
- Verifique e volte a encher o depósito de transmissão se necessário.
- Verifique a tensão da corrente e restabeleça a tensão da roda dentada da polia se necessário. Remova a tampa da transmissão e verifique a correia de transmissão. Volte a ajustar a tensão se necessário.
- Use o fornecimento de ar para remover o pó acumulado dentro da tampa.
- Alterne os pneus para que o desgaste seja uniforme e para que durem mais. Quando os pneus estiverem gastos, o conjunto do travão terá de ser ajustado para garantir um contacto adequado com os pneus. Solte os dois parafusos 3/8" que fixam o conjunto do travão à estrutura. Mova o suporte do conjunto do travão para a parte traseira da unidade 1/8-1/4". Volte a apertar os parafusos.



Solução em caso de falhas

Tipo de avaria	Causa Possível	Medidas para eliminar a avaria
A. O motor não arranca	<ol style="list-style-type: none">1. O interruptor do motor está desligado (OFF), não tem gasolina ou o nível do óleo está baixo.2. Bateria vazia3. Travão de estacionamento não engatado.4. Não está ninguém no banco do condutor, o sensor não está acionado	<ol style="list-style-type: none">1. Consulte o manual do motor.2. Puxe o cabo de arranque3. Acione o travão de estacionamento.4. Sente-se no banco do condutor
B. O motor corre a altas rpm ou pára durante o funcionamento	<ol style="list-style-type: none">1. A alavanca de aceleração ou o regulador está gasto	<ol style="list-style-type: none">1. Consulte o manual do motor.
C. O motor funciona, o accionador Sulky não se move para a frente nem para trás.	<ol style="list-style-type: none">1. O nível do óleo hidráulico está baixo.2. O pedal do acelerador foi ajustado incorretamente.3. As extremidades da biela no eixo transversal dos dois pedais estão soltos.4. O travão de estacionamento está acionado.5. O desvio da válvula de escape hidráulica está aberto.	<ol style="list-style-type: none">1. Encha com óleo hidráulico.2. Aperte os parafusos debaixo dos pedais para fixar ao eixo do pedal.3. Certifique-se de que as extremidades da biela (ver Figura 6, item 40) estão fixas ao eixo transversal dos dois pedais.4. Solte o travão de estacionamento.5. Feche o desvio da válvula de escape hidráulica.
D. O motor funciona, o LazyLiner move-se lentamente para a frente ou para trás.	<ol style="list-style-type: none">1. O nível do óleo hidráulico está baixo.2. O pedal do acelerador foi ajustado incorretamente.3. As extremidades da biela no eixo transversal dos dois pedais estão soltos.4. O travão de estacionamento está acionado.5. O desvio da válvula de escape hidráulica está aberto.	<ol style="list-style-type: none">1. Encha com óleo hidráulico.2. Aperte os parafusos debaixo dos pedais para fixar ao eixo do pedal.3. Certifique-se de que as extremidades da biela (ver Figura 6, item 40) estão fixas ao eixo transversal dos dois pedais.4. Solte o travão de estacionamento.5. Feche o desvio da válvula de escape hidráulica.
E. Travão de estacionamento acionado, o motor continua a trabalhar quando o operador sai do LazyLiner.	<ol style="list-style-type: none">1. Interruptor de segurança com defeito.2. O travão de estacionamento não engata os pneus.	<ol style="list-style-type: none">1. Contacte o Serviço ao Cliente Titan .2. Ajuste o travão de estacionamento segundo as instruções de Manutenção (consulte o último ponto, "A cada 100 horas", na página anterior).
F. O motor perde potência durante as viragens e mudanças de posição para a frente e para trás.	<ol style="list-style-type: none">1. O nível do óleo do motor está baixo.	<ol style="list-style-type: none">1. Encha ao nível do óleo correcto.
G. O motor trabalha durante um curto espaço de tempo e pára.	<ol style="list-style-type: none">1. Há restrição do fluxo de combustível.	<ol style="list-style-type: none">1. Consulte o manual do motor.
H. O LazyLiner continua a mover-se após o travão de estacionamento estar acionado.	<ol style="list-style-type: none">1. O travão de estacionamento não engata os pneus.	<ol style="list-style-type: none">1. Ajuste o travão de estacionamento segundo as instruções de Manutenção (consulte o último ponto, "A cada 100 horas", na página anterior).

Se o problema não pode ser solucionado, contate o serviço pós-venda da Titan.

Inhoudsopgave

Veiligheidsvoorschriften.....	50
Technische gegevens.....	51
Identificatie van onderdelen/bedieningselementen.....	52-54
Instelbaar comfort - mogelijkheden.....	55
Installatie.....	55
Controlelijst voor werking.....	55
Werking.....	56
Onderhoud.....	56
Hulp bij storingen.....	57
Garantie.....	76

Veiligheidsvoorschriften

Deze handleiding bevat informatie die u moet lezen en begrijpen voordat u het toestel gebruikt. Wanneer u bij een gedeelte aankomt dat een van de volgende symbolen bevat, dient u extra voorzichtig te werk te gaan en de informatie te allen tijde op te volgen.

Het is noodzakelijk dat u alle instructies in de gebruikshandeling voor Honda motoren en uw Titan LazyLiner-apparatuur leest en in acht neemt.

	Dit symbool geeft een mogelijk gevaar aan dat ernstig persoonlijk letsel of zelfs de dood tot gevolg kan hebben. Belangrijke veiligheidsinformatie volgt.
	Dit symbool geeft een mogelijk gevaar aan ten opzichte van uzelf of het toestel. Belangrijke informatie volgt over hoe u schade aan het toestel respectievelijk kleiner persoonlijk letsel kunt voorkomen.
	Op deze plaatsen wordt belangrijke informatie gegeven waar speciale aandacht aan dient te worden gegeven.

Werkzaamheden of reparaties aan de elektrische uitrusting:

Laat deze uitsluitend uitvoeren door een elektrotechnisch vakbekwaam persoon. Wij aanvaarden geen aansprakelijkheid voor een ondeskundige installatie.

Vervoer en opslag

Dit apparaat is bestand tegen, of is beschermd tegen vervoer- en opslagtemperaturen van -25 °C tot +55 °C en gedurende korte periodes tot maximaal +70 °C.

Het werd verpakt om schade als gevolg van normale vochtigheid, trillingen en schokken te voorkomen.



GEVAAR BIJ VERPLAATSEN VAN VOERTUIG

Onvoorzichtig en roekeloos gedrag veroorzaakt ongevallen. Van een voertuig vallen, op mensen of voorwerpen inrijden of aangereken worden door andere voertuigen kan resulteren in ernstig letsel of overlijden.

PREVENTIE:

- Stap niet op het pedaal voor voorwaarts/achterwaarts bij het bestijgen van de LazyLiner.
- Draai voorzichtig en beperk draaiingen tot 45° of minder.
- Werk niet op hellingen van meer dan 15°.
- Wees voorzichtig bij het berijden van extreme dalingen en weghellingen om verlies van tractie te vermijden.
- Vervoer geen passagiers.
- Sleep niet zonder sleepset en beperk het laadvermogen.
- Volg de lokale weg- en transportregelgevingen.
- Gebruik de apparatuur niet zonder goede verlichting.

- Bedien de apparatuur uitsluitend op schone en vaste oppervlakken.



BRANDGEVAAR

Vermijd verhitte apparatuur of vloeistoffen om ernstige brandwonden te vermijden. Wacht totdat de apparatuur/vloeistof volledig is afgekoeld.

Plaats geen ontvlambare materialen (bij. in olie gedrenkte vodden) op de motor.



GEVAAR OP KOOLMONOXIDE

Het inademen van koolmonoxide kan de dood veroorzaken. Niet werken in een gesloten ruimte.



PERSOONLIJK BESCHERMINGSMIDDEL

Draag geschikte persoonlijke beschermingsmiddelen bij het werken aan of onderhouden van apparatuur om zich te beschermen tegen ernstig letsel:

PREVENTIE:

- Bescherming voor de ogen
- Kledij en beademingsmasker aanbevolen door de fabrikant
- Schoenen met stalen tip
- Handschoenen
- Oorbescherming



BRAND- EN ONTPLOFFINGSGEVAAR

Ontvlambare gassen, zoals oplosmiddelen en verdampen kunnen ontsteken of exploderen in de werkruimte.

PREVENTIE:

- Gebruik apparatuur in een goed verluchte ruimte.
- Vul de brandstoftank niet wanneer de motor draait of warm is.
- Verwijder alle ontstekingsbronnen in de aanwezigheid van ontvlambare gassen.
- Houd werkruimte vrij van afval.
- Als er statische vonkvorming is of u voelt een schok, stop de werking dan onmiddellijk.
- Zorg voor een brandblusapparaat in de werkruimte.



OPSLAG

Laat de LazyLiner niet in openlucht staan zonder bescherming; het moet op een droge plaats worden bewaard.



TRANSPORT

De LazyLiner mag niet vastgekoppeld zijn aan de trekgaffel op een motorvoertuig voor transport. De LazyLiner mag uitsluitend worden vervoerd met behulp van een cargo-voertuig met een dieplader nadat het stevig werd bevestigd.

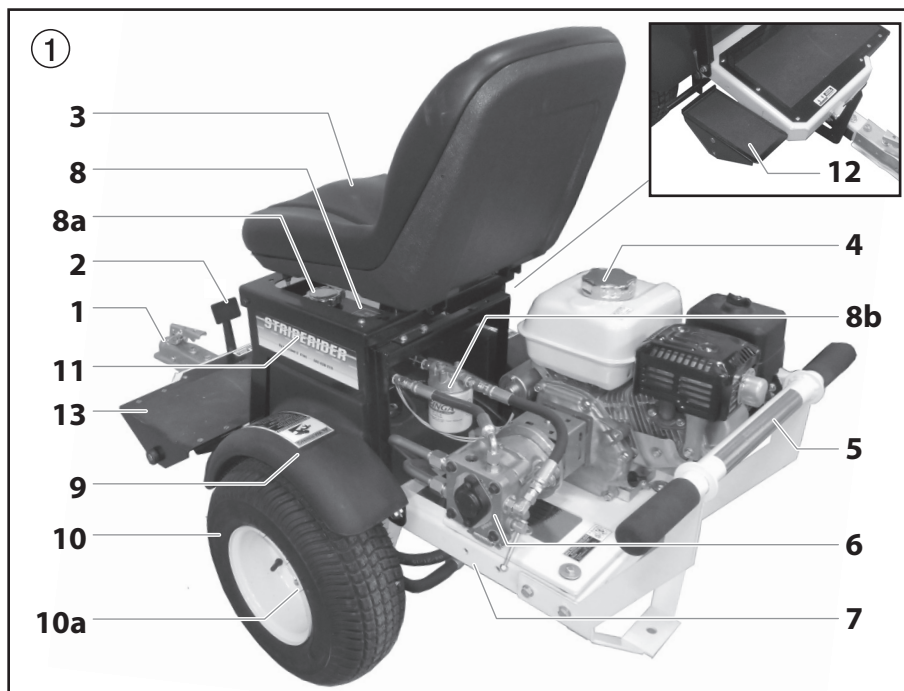
Gevaar op verpletteren! Er zijn meerdere personen vereist voor het laden en lossen van de LazyLiner. De LazyLiner mag niet worden vervoerd met een kraan.

Technische gegevens

	LazyLiner Pro	LazyLiner Elite
Motor		
	Honda GX160, trekstarter	Honda GX200, elektrische starter, 16A/200W
Motorolie soort		
	SAE10-30W (0,6 l)	SAE10-30W (0,6 l)
Gewicht		
	118 kg	127 kg
Afmetingen (L x B x H, zitplaats in verhoogde positie)		
	145 cm x 66 cm x 107 cm	157 cm (bumper bar installed) x 74" x 107 cm"
Maximumsnelheid		
Vooruit	0-16 km/u	0-16 km/u
Achteruit	0-11 km/u	0-11 km/u
Geluidsdruk		
	85 dB*	85 dB*
Trillingsniveau (met aangehaakte lijnentrekker)		
	<2,5 m/s ² (rechter- en linkerhand)	<2,5 m/s ² (rechter- en linkerhand)
Max. bandenspanning		
	1,7 bar	1,7 bar
Constructie	Geheel frame en alle beschermers van gelast staal, beschermingsbalk van de motor en stalen spatborden met industriële poedercoating	
Rijden	Gietijzeren hydrostatische transmissie voor vooruit en achteruit rijden Een gaspedaal (vooruit/achteruit) Aandrijfdifferentieel met spoorcontrole Kettingaandrijving met dubbele rij rollen Mobil 1™ 15W50 volledig synthetische olie (4 qt.)	
Hydraulische bedrijfsdruk		
	186 bar	186 bar
Bedrijfstemperatuur	+10°C en +40°C (+50°F en + 104°F)	
Relatieve vochtigheid	50%, bij +40°C (+104°F) (Een hogere luchtvochtigheid vormt geen probleem bij lagere temperaturen).	
Gebruikshoogte	max. 3000m (9843) boven zeeniveau	
Parkeerrem	Handmatige parkeerrem	
Haak	Voor de installatie op Titan en Graco lijnentrekapparatuur	
Stoel	Luxueuze, hoge beklede rug met verstelbare comfortabele bediening en gewichtssensor voor veiligheidsstop.	

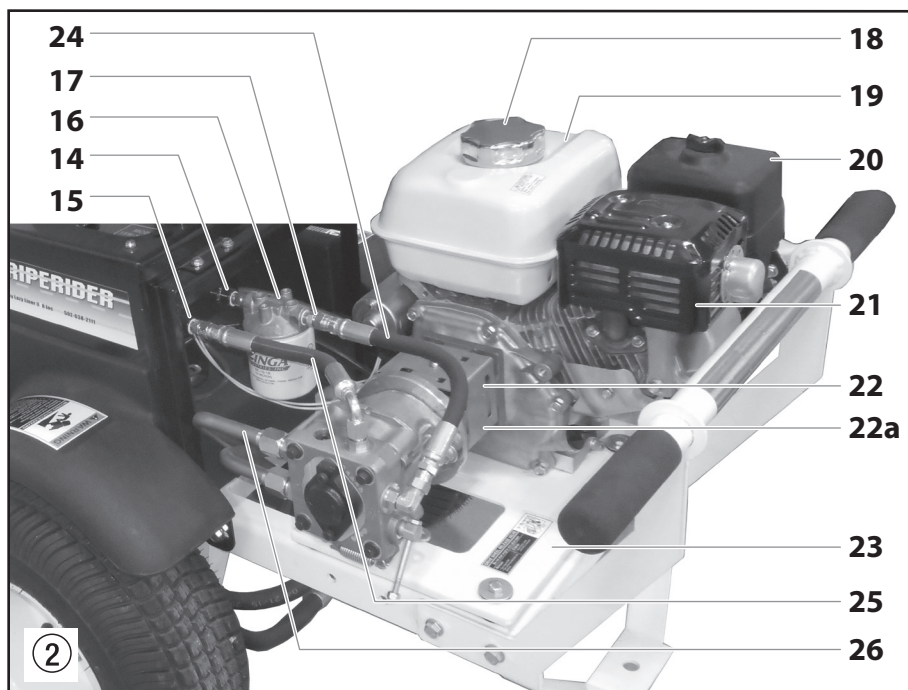
* Gemeten ter hoogte van de stoelpositie.

Onderdelen / identificatie besturingselementen



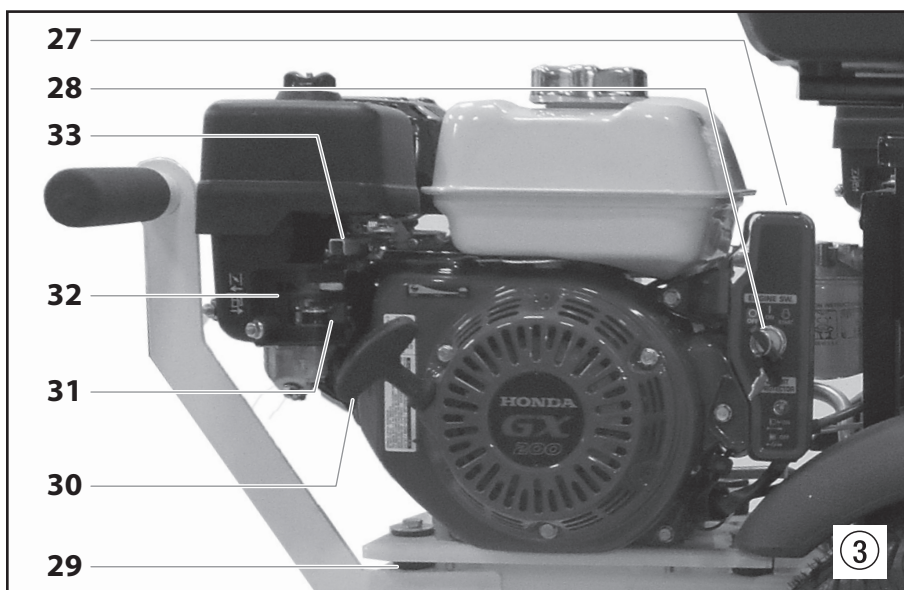
*	2413480	Draagbak (optioneel accessoire, niet afgebeeld op foto) wordt bevestigd aan de bumperbalk boven de motor.
---	---------	---

#	Bestelnr.	Benaming	
1	290647	Koppelingssteun	
2	290648	Handbediende remhendel	
3	290675	Zitplaats	
	290173	Zitplaats safety switch	
4	0537547A	Motor (GX200, Elektrische start getoond, Elite)	
	980-331A	Motor (GX160, Alleen Pro)	
5	2423493	Bumperbalk, Honda (Alleen Pro)	
	0290646Z	Bumperbalk, Subaru (Alleen Pro)	
6	290649	Hydraulische BDP pomp	
7	290650	Hoofdframe	
8	290652	Hydraulische tank, 4 qt.	
	a	290678	Dop hydraulische tank
	b	290679	Hydraulisch filter
9	-----	Spatbord	
10	290676	Wielmontage, Elite (2)	
	290677	Wielmontage, Pro (2)	
a	290682	Wielmoeren (4 per wiel)	
11	290653	Stoelframe	
12	-----	Pedaal	
13	290656	Voetenplank	

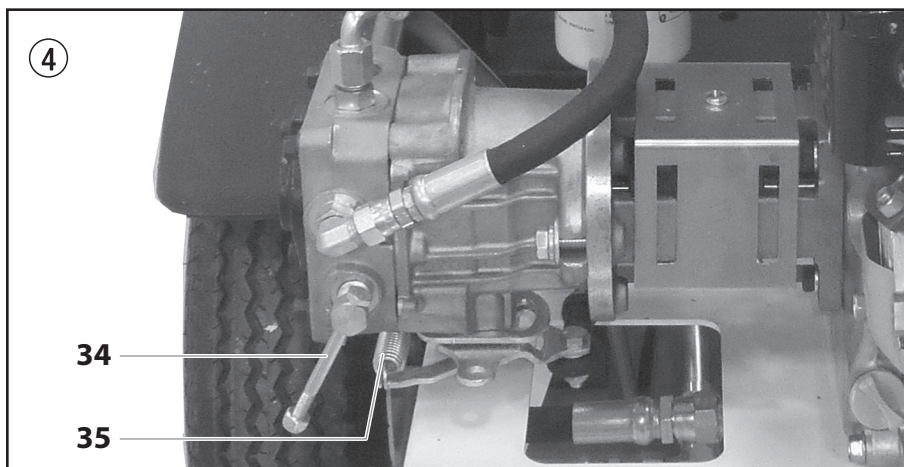


#	Bestelnr.	Benaming
14	290394	Nippel, 1/4" NPT mannelijk
15	290396	Kniestuk, 90°
16	290657	Oliefilter en opschroefbare behuizing
17	290395	Kniestuk, 90°
18	-----	Ventilerende tankdop
19	-----	Benzinetank
20	-----	Luchtfilter
21	-----	Bevestiging geluiddemper
22	290658	Bevestiging behuizing aluminium pomp
	a	290659
23	290660	Bevestiging van motor op frame, met 8 rubberen trillingsdempers
24	290655	Hydraulische drukleiding van filter naar pomp
25	290661	Hydraulische terugvoerleiding van BDP pomp naar tank
26	290662	Stalen harde buizen die motorleidingen voor wiel aandrijving met pomp verbinden

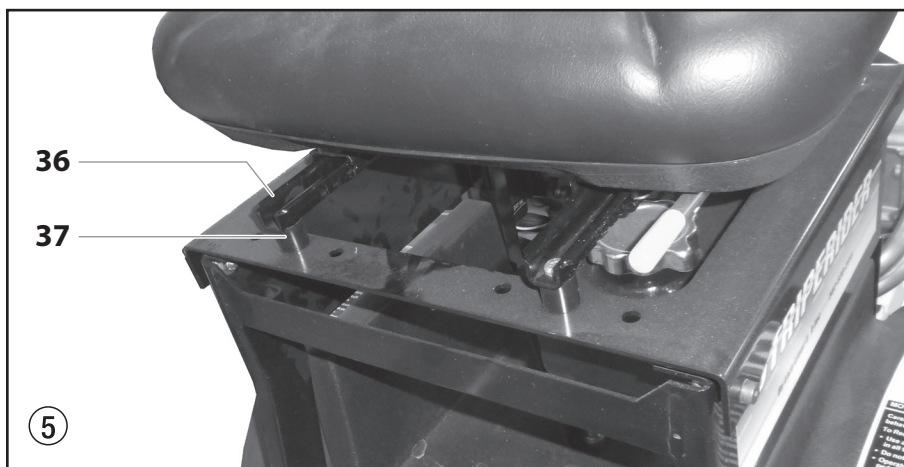
Onderdelen / identificatie besturingselementen



#	Bestelnr.	Benaming
27	-----	Gelijkrichter voor magneet, (alleen Elite). Zie handleiding van de motor
28	-----	Sleutelschakelaar voor de eenheid Elite (7 pk)
29	290663	Rubberen isolators voor de verbinding van de motorplaat aan het frame
30	-----	Terugslag trekstarter (eenheden Pro en Elite)
31	-----	Brandstofafsluiting
32	-----	Chokehendel
33	-----	Gashendel, (eenheden Pro en Elite)

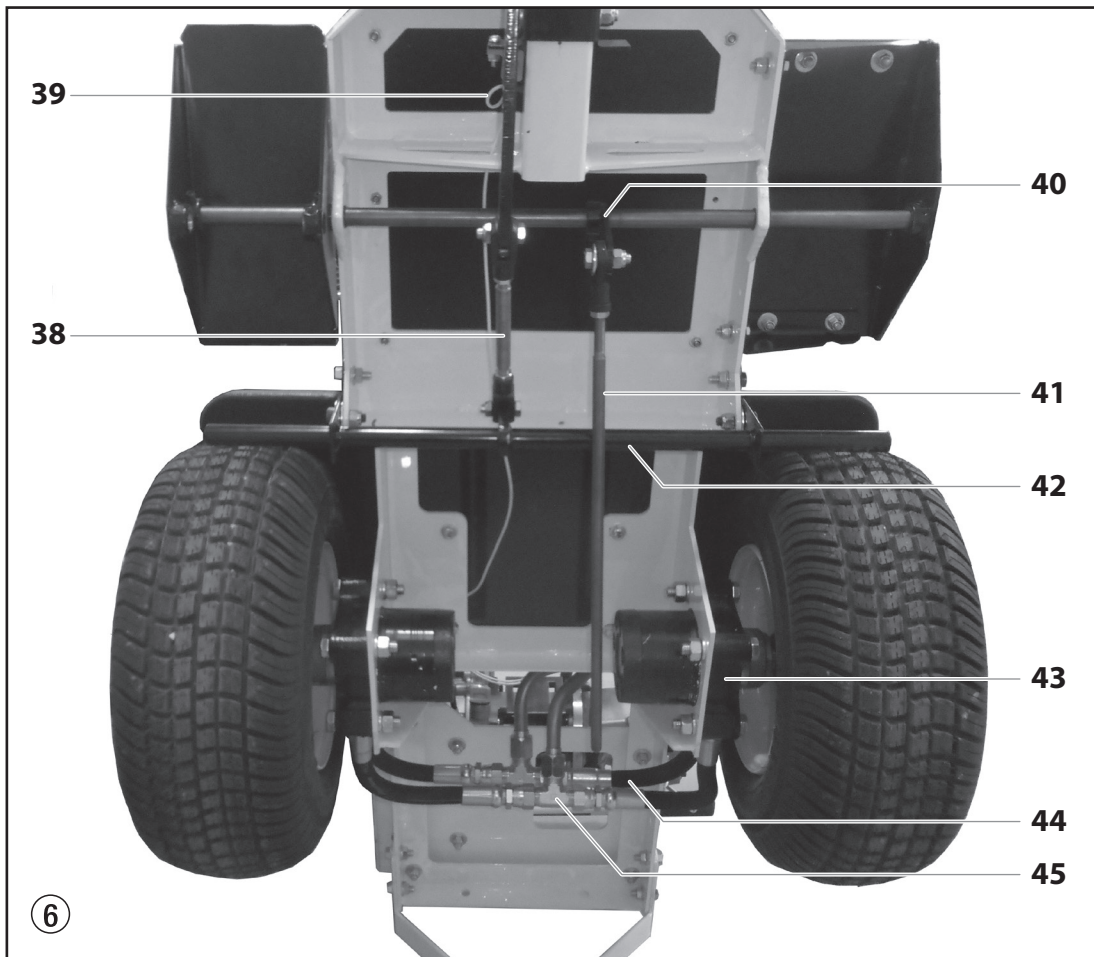


#	Bestelnr.	Benaming
34	-----	Hydraulisch ontlastventiel, leiding. Met de klok meedraaien om het hydraulisch systeem voor rijden in te schakelen; losdraaien (1/2 - 1 slag tegen de klok in) om te ontkoppelen, neutraal
35	290665	RTN (terug naar neutraal) veer en mechanisme, maakt verbinding met pedalkoppeling onder het frame



#	Bestelnr.	Benaming
36	290391	Beugel voor stoelverstelling (2)
37	290392	Afstandhouder (4)

Onderdelen / identificatie besturingselementen



#	Bestelnr.	Benaming
38	-----	Handmatig bediend parkeerremstelsysteem, onderste gedeelte van item # 2 dat dit systeem inschakelt
39	290680	Bekabeling voor motorstop
40	290393	Verbinding uiteinden aandrijfstang
41	290670	Koppelingsstang, verbindt pedaalas met RTN op BDP-pomp (7/16ths OD)
42	290671	Vergrendeling parkeerrem

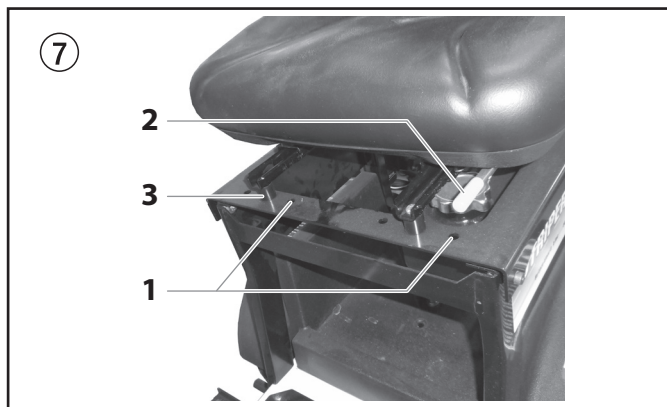
#	Bestelnr.	Benaming
43	290672	Dubbele hydraulische overbrenging van wielmotoren
44	290673	Hydraulische leidingen die de wielmotoren aansluiten op stalen harde leidingen van de pomp, 4 in totaal, 2 per wielmotor.
45	290674	Drieweg mannelijke, "T"-fittingen om de stalen harde leidingen van de wielmotor te verbinden met de stalen harde leidingen vanaf de pomp
	290681	Accukabels, positief en negatief (alleen Elite, niet getoond).

Instelbare mogelijkheden voor comfort

Verstelbare stoel

De stoel van uw LazyLiner unit kan worden aangepast of gemonteerd en gepositioneerd om indien nodig meer comfort te verschaffen bij uw dagelijkse werkzaamheden. Figuur 7 toont de stoel die naar rechts verplaatst is.

1. Verwijder voor wijziging van de stoelpositie naar links of naar rechts de moeren onder de stoelbevestiging en lijn de stoelbevestiging uit met een ander stel gaten (afb. 7, punt 1) in het stoelframe. De zitting kan naar rechts of naar links worden verplaatst of in het midden van het stoelframe worden gezet.
2. De stoel kan achterstevoren worden geplaatst met de hendel (2) onder de linkerzijde van de stoel. Trek aan de hendel en draai de stoel naar voren of naar achteren.
3. De afstandsringen (3) kunnen worden geïnstalleerd of verwijderd om de stoel omhoog of omlaag te verstellen.



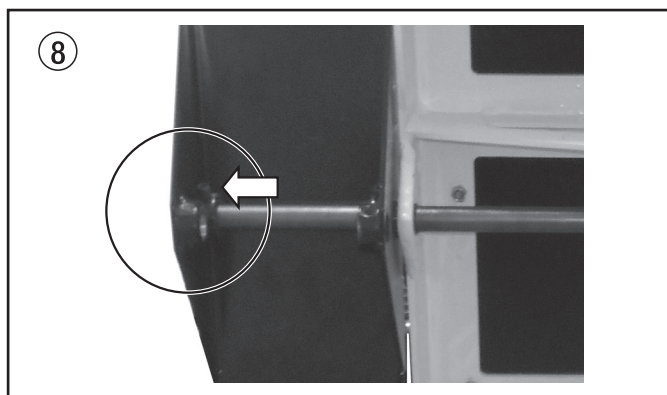
Verstelbaar pedaal

Het gaspedaal (het rechterpedaal) op de LazyLiner kan in meerdere hoeken worden gezet, en ook in een hoogste of laagste stand. Door deze functies te gebruiken vermindert u de vermoeidheid van uw voet en enkel en kunt u meer beenruimte of hoogte verkrijgen om beter bij het pedaal te kunnen.

De LazyLiner wordt geleverd met het pedaal in de LAAGSTE stand.

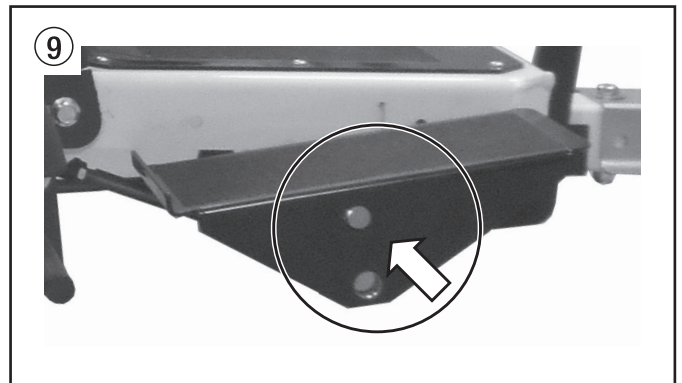
Volg deze stappen om de stand van het gaspedaal te verstellen.

1. Stel vast waar de twee stelschroeven onder het pedaal zijn, die de pedalen aan de as bevestigd houden. Draai deze stelschroeven los door een imbusleutel te gebruiken.



Als u de hoogte van de pedalen wilt wijzigen, verwijder dan de stelschroeven volledig. Als u slechts de hoek van het pedaal wilt wijzigen, maar niet de hoogte, dan hoeven de schroeven niets volledig te worden verwijderd, maar alleen losgedraaid.

2. Terwijl de stelschroeven losgedraaid/verwijderd zijn, kunt u de positie van het pedaal naar de gewenste hoogte en hoek verstellen. Steek, om het pedaal in de positie HOOG te fixeren, de pedaalas door de onderste opening van het pedaal.



3. Plaats de stelschroeven opnieuw of draai ze aan om het pedaal te fixeren.



Als de stelschroeven onvoldoende zijn aangedraaid, zullen de pedalen de pedaalas niet bewegen en de zal de regelklep niet goed functioneren.

Installatie

Installeer de accu (alleen Elite)

De LazyLiner Elite bevat geen accu. Die moet apart worden aangeschaft om de elektrische starter te laten werken.

1. Raadpleeg voor de juiste batterij-specificaties het motorhandboek van Honda dat met de LazyLiner is meegeleverd.
2. Maak de bout in de ruimte onder de verstelbare stoel los, draai de bout los die de accubeugel aan het frame bevestigd houdt.
3. Installeer de batterij en druk de accukabels op de juiste klemmen: rood aan de positieve (+) pool; zwart aan de negatieve (-) pool.
4. Bevestig de accuhouder aan de kant van de batterij om hem op zijn plaats te houden. Draai de houder vast om hem te fixeren.

Installeer de trekhaak

1. Monteer de trekhaak aan de achterzijde van uw lijnentrekker. Gebruik de afzonderlijke instructies die bij de LazyLiner werden geleverd.
2. Til de vergrendelingshendel van de koppelingsbeugel op de LazyLiner op en plaats deze over de trekhaak. Beweeg de LazyLiner op de lijnentrekker en zorg ervoor dat de koppeling pakt. Beveilig de trekhaak met bout en splitpen.

Controlelijst voor werking

Bekijk de controle vóór u met de werkzaamheden aanvangt, en dit als volgt:

1. Controleer opnieuw dat alle onderdelen correct geïnstalleerd zijn ter garantie van een veilige werking
2. Controleer motorolie.
3. Controleer transmissieolie.
4. Vul brandstof met loodvrij gas in tank.
5. Controleer de bandendruk.

Werking



Lees voordat u de apparatuur in gebruik neemt, de instructies in de handleiding voor motoren van Honda zorgvuldig door.

1. Controleer het oliepeil. Raadpleeg het meegeleverde handboek voor de motor voor het aanbevolen oliepeil en service. De motor wordt normaliter geleverd, nadat hij fabrieksmatig getest is en gevuld met olie.
2. Controleer het oliepeil van de transmissie in de eenheid door de vuldop bovenop de hydraulische tank te verwijderen. Het oliepeil dient 3/4 tot 1 inch vanaf de bovenkant van de tank te zijn.



Let op

Als het oliepeil te laag is of als het moet worden gewijzigd, gebruik dan altijd Mobil 1™, 15W50 volledig synthetische olie. Gebruik nooit "hydraulische olie" in het systeem.

3. Verwijder de tankdop en vul de tank met gewone ongelode benzine. Zorg ervoor dat de afsluithendel voor de brandstof in de goede stand is. Plaats de tankdop opnieuw.
4. Ga op de LazyLiner zitten of schakel de parkeerrem in.
5. Start de motor:
 - a. Schakel de parkeerrem in (zie figuur 1, punt 2). Duw de arm naar voren om de rem in werking te zetten.
 - b. Open de brandstofklep en en sluit de choke (zowel op de eenheid met elektrische start als met trekstarter)
 - c. Zet de gashendel op hoog en zet de de motor schakelaar op ON (als het om de eenheid met trekstarter gaat)
 - d. Trek aan het motorkoord of gebruik de sleutelschakelaar.
 - e. Nadat de motor gestart is, zet u de choke in de positie voor draaiende motor en de gashendel in de gewenste positie.



De LazyLiner kan niet worden gestart, tenzij de handrem is ingeschakeld of de gebruiker op de stoel zit. Als de rem niet in werking is of u zit niet, dan zal het veiligheidsschakelaarsysteem starten van de motor blokkeren.

6. Grijp de handvatten en knijp in de hendel om het zwenkwiel vrij te maken.
7. Gebruik de pedalen in zowel voorwaartse beweging (teengedeelte naar beneden) of achterwaartse beweging (hakgedeelte naar beneden) als dat nodig is. U kunt de eenheid draaien door de lijnentrekker te gebruiken en het zwenkwiel vrij te maken.
8. De LazyLiner zal gewenste snelheid (0-16 km/u vooruit, 0-11 km/h achteruit) bereiken door meer of minder op de pedalen te drukken.

Het toestel zal volledig stil komen te staan (snel) als u de pedalen terug naar het midden of naar de neutraalstand laat komen. De hydraulische druk regelt de stop- of remfunctie die u eenheid doet stoppen.



Als de LazyLiner niet beweegt, zal de hydraulische omloopleiding van de ontlastklep (zie Figuur 4, punt 34) moeten worden dichtgedraaid. Draai 1/2 tot 1 slag rechtsonter tot hij dicht is om de aandrijving te laten werken.



Gebruik ALTIJD de parkeerrem als u niet met de LazyLiner werkt.

Onderhoud

Lees onderstaande informatie om te weten welk type onderhoud er moet worden uitgevoerd aan uw LazyLiner op diverse gebruiksiintervallen.



Lees de instructies in de gebruikershandleiding voor Honda motoren voor gedetailleerde informatie over onderhoud en zorg van de motor.

Dagelijks:

- Controleer het olieniveau en vul bij indien vereist.
- Controleer het transmissiereservoir voor hydraulische olie en vul bij indien vereist. Olie en filter moeten elke 650-700 bedrijfsuren worden vervangen.
- Controleer en vul de gastank met normaal loodvrij gas.
- Controleer banden en blaas op tot 1,7 bar indien vereist
- Veeg apparatuur af – Gebruik nooit een waterslang om het toestel te reinigen.
- Controleer en reinig de luchtfilter. Vervang indien nodig

Na eerste 20 uur:

- Laat leeglopen en vul motorolie opnieuw met SAE 10W-30 olie. Zie de specificaties van de fabrikant voor de API-beoordeling.

Wekelijks:

- Voeg een kleine hoeveelheid vet toe aan de balkkoppeling in de balzone.
- Controleer alle hardware op integriteit. Draai eventueel loszittende bouten of moeren aan.

Elke 50 uur:

- Vervang bougie
- Inspecteer systeem op olieklekken van aandrijving.

Elke 100 uur:

- Bespuit de ketting met droge kettingspray voor motorvoertuigen.
- Smeer aslagers – Molytype vet, twee pompeenheden van smeerpistool. Veeg overmatig vet van lagers.
- Laat leeglopen en vul motorolie opnieuw met SAE 10W-30 olie. Zie de specificaties van de fabrikant voor de API-beoordeling
- Controleer het transmissiereservoir en vul het opnieuw aan indien nodig.
- Controleer de kettingspanning en stel tandwiel opnieuw onder spanning indien vereist. Verwijder transmissiebehuizing en controleer aandrijfriem. Stel opnieuw onder spanning indien vereist.
- Gebruik luchttoevoer om opgehoopt stof in de behuizing te verwijderen.
- Draai de banden om een gelijkmatigere slijtage en een langere levensduur te verkrijgen. Omdat de banden slijten, zal de remeenheid moeten worden bijgesteld om een goed contact met de banden te verzorgen. Draai de twee 3/8"-bouten los die de rem aan het frame bevestigen. Tik de rembevestiging naar over 1/8 tot 1/4 inch naar de achterzijde van het apparaat. Draai de bouten weer vast.

Hulp bij storingen

Soort storing	Mogelijke oorzaak	Maatregelen om de storing te verhelpen
A. Motor start niet	<ol style="list-style-type: none"> 1. Motor schakelt UIT, geen gas of laag olieniveau. 2. Batterij leeg 3. Parkeerrem niet ingeschakeld. 4. Niemand in de bestuurdersstoel, de sensor wordt niet geactiveerd. 	<ol style="list-style-type: none"> 1. Raapleeg handleiding voor motor. 2. Trek aan de trekstarter 3. Gebruik de parkeerrem. 4. Ga zitten op de bestuurdersstoel
B. Motor snelt naar hoog tpm of loopt vast tijdens werking	<ol style="list-style-type: none"> 1. Versleten klephendel, regelaar 	<ol style="list-style-type: none"> 1. Raapleeg handleiding voor motor.
C. Motor werkt, LazyLiner gaat niet vooruit of achteruit.	<ol style="list-style-type: none"> 1. Laag hydraulisch olieniveau. 2. Het gaspedaal is onjuist afgesteld. 3. De verbindingstang die naar de as van het dubbele pedaalsysteem leidt is los. 4. De parkeerrem is aangezet. 5. Hydraulische leiding van het deblokkeerventiel staat open. 	<ol style="list-style-type: none"> 1. Vul met hydraulische olie. 2. Draai de stelschroeven onder de pedalen vast om die aan de pedaas te bevestigen. 3. Controleer of de uiteinden van de drijfslag (zie figuur 6, punt 40) zijn bevestigd aan de as van de pedalen. 4. Maak de parkeerrem los. 5. Sluit de hydraulische leiding van het deblokkeerventiel.
D. Motor werkt, LazyLiner verplaatst zich langzaam voorwaarts of achterwaarts.	<ol style="list-style-type: none"> 1. Laag hydraulisch olieniveau. 2. Het gaspedaal is onjuist afgesteld. 3. De verbindingstang die naar de as van het dubbele pedaalsysteem leidt is los. 4. De parkeerrem is aangezet. 5. Hydraulische leiding van het deblokkeerventiel staat open. 	<ol style="list-style-type: none"> 1. Vul met hydraulische olie. 2. Draai de stelschroeven onder de pedalen vast om die aan de pedaas te bevestigen. 3. Controleer of de uiteinden van de drijfslag (zie figuur 6, punt 40) zijn bevestigd aan de as van de pedalen. 4. Maak de parkeerrem los. 5. Sluit de hydraulische leiding van het deblokkeerventiel.
E. Handrem in werking, de motor blijft draaien als de bestuurder de LazyLiner verlaat.	<ol style="list-style-type: none"> 1. Defecte veiligheidsschakelaar. 2. Parkeerrem raakt de banden niet. 	<ol style="list-style-type: none"> 1. Neem contact op met de klantendienst van Titan. 2. Stel de parkeerrem af via de Onderhoudsinstructies (zie het laatste punt, "Elke 100 uur", vorige pagina).
F. Motor mist tijdens draaiingen en schakelen tussen voorwaarts en achterwaarts.	<ol style="list-style-type: none"> 1. Laag motorolieniveau. 	<ol style="list-style-type: none"> 1. Vul bij om olieniveau te corrigeren.
G. Motor draait gedurende korte periode en stopt.	<ol style="list-style-type: none"> 1. Beperkte brandstofdoorstroming. 	<ol style="list-style-type: none"> 1. Raapleeg handleiding voor motor.
H. De LazyLiner beweegt na afstelling van de parkeerrem nog steeds.	<ol style="list-style-type: none"> 1. Parkeerrem raakt de banden niet. 	<ol style="list-style-type: none"> 1. Stel de parkeerrem af via de Onderhoudsinstructies (zie het laatste punt, "Elke 100 uur", vorige pagina).

Als het probleem niet opgelost kan worden, neem dan contact op met de klantenservice van Titan.




Indhold

Sikkerhedsforskrifter	58
Tekniske data	59
Dele / kontrolidentifikation	60-62
Justerbare bekvemmelighedsegenskaber.....	63
Opstilling	63
Driftsafkrydsningsliste	63
Drift	64
Vedligeholdelse	64
Hjælp ved problemer.....	65
Garanti.....	76

Sikkerhedsforskrifter

Denne manual indeholder information, som skal læses og forstås, før udstyret tages i brug. Når De kommer til et sted, der har et af de følgende symboler, bør De læse det med særlig opmærksomhed og sikre, at de nævnte beskyttelsesforanstaltninger bliver truffet.

Det er påkrævet, at du læser og overholder alle anvisningerne i brugsanvisningen for Honda motorer og dit Titan LazyLiner materiel.

	Dette symbol indikerer en potentiel fare, som kan forårsage alvorlig personskade eller dødsfald. Vigtig sikkerhedsinformation følger.
	Dette symbol indikerer en potentiel fare for Dem eller for udstyret. Vigtig information følger, som fortæller hvordan beskydigelse af udstyret undgås, og hvordan anledninger til mindre personskader kan undgås.
	Bemærk giver vigtig information, som bør tildeles speciel opmærksomhed.

Arbejde på eller reparation af det elektriske udstyr:

Overlad kun dette til en elektriker. Vi påtager os intet ansvar for en fagmæssigt forkert installation.

Transport og opbevaring

Udstyret kan tåle, eller er blevet beskyttet imod, transport- og opbevaringstemperaturer på +25 °C til +55 °C, og i korte perioder op til +70 °C.

Det er nedpakket således, at det er beskyttet imod skade forårsaget af normal luftfugtighed, vibration og slag.



FARE VED KØRETØJ I BEVÆGELSE

Ubetænksom og hensynsløs opførsel fører til ulykker. Fald fra et køretøj, at køre folk over eller støde ind i en genstand, eller blive kørt over af andre køretøjer kan medføre alvorlig tilskadekomst eller død.

PRÆVENTION:

- Når man kravler op på LazyLineren, må man ikke træde på pedalen til fremadkørsel eller opbakning.
- Drej langsomt med maskinen, og undlad at dreje mere end højst 45°.
- Undlad at køre på skråninger over 15°.
- Vær forsigtig ved kørsel på meget stejle skråninger og i hældende vejsving for at undgå at miste traktion.
- Det er forbudt at medtage passagerer.
- Må ikke anvendes til at slæbe uden en slæbepakke, og begræns læsset.
- Følg alle lokale bestemmelser vedrørende landevejskørsel og transport.
- Udstyret må ikke betjenes uden passende lys.
- Materiellet må kun betjenes på rene og stabile overflader.



FARE FOR FORBRÆNDING

Alvorlige forbrændinger undgås ved at holde sig fra varmt udstyr eller væske. Vent indtil udstyr og/eller væske er fuldstændig afkølet.

Undlad at anbringe brændbare materialer (fx olieklude) på motoren.



FARE FOR KULILTEFORGIFTNING

Indånding af kulilte kan medføre død. Må ikke betjenes i et indelukket område.



PERSONLIGT BESKYTTELSESUdstyr

Sørg for at være iført hensigtsæssigt beskyttelsesudstyr ved drift eller servicering af udstyr til hjælp til beskyttelse imod alvorlig tilskadekomst:

PRÆVENTION:

- Øjenværn
- Arbejdstøj og åndeværn anbefalet af producenten
- Sko med stål næser
- Handsker
- Høreværn



FARE FOR BRAND OG EKSPLOSION

Brandbare dunster, fx fra solventer og maling, på arbejdspladsen kan antændes eller eksplodere.



PRÆVENTION:

- Brug udstyret i et område med god udluftning.
- Undlad at fylde brændstoftanken, mens motoren kører eller er varm.
- Eliminér alle antændelseskilder, når der er brandbare dunster til stede.
- Hold arbejdspladsen fri for affald.
- Hvis der er gnister forårsaget af statisk elektricitet, eller du får stød, skal driften straks standses.
- Sørg for, at der findes en brandslukker på arbejdspladsen.



OPBEVARING

LazyLiner må ikke efterlades ubeskyttet udendørs, den skal opbevares på et tørt sted.



TRANSPORT

LazyLiner må ikke sammenkobles til transport med et anhængertræk på et motorkøretøj. LazyLiner må udelukkende transporteres i et transportkøretøj med fladt lad, efter den er sat godt fast.

Fare for knusning! LazyLiner har behov for flere personer til aflæsning.

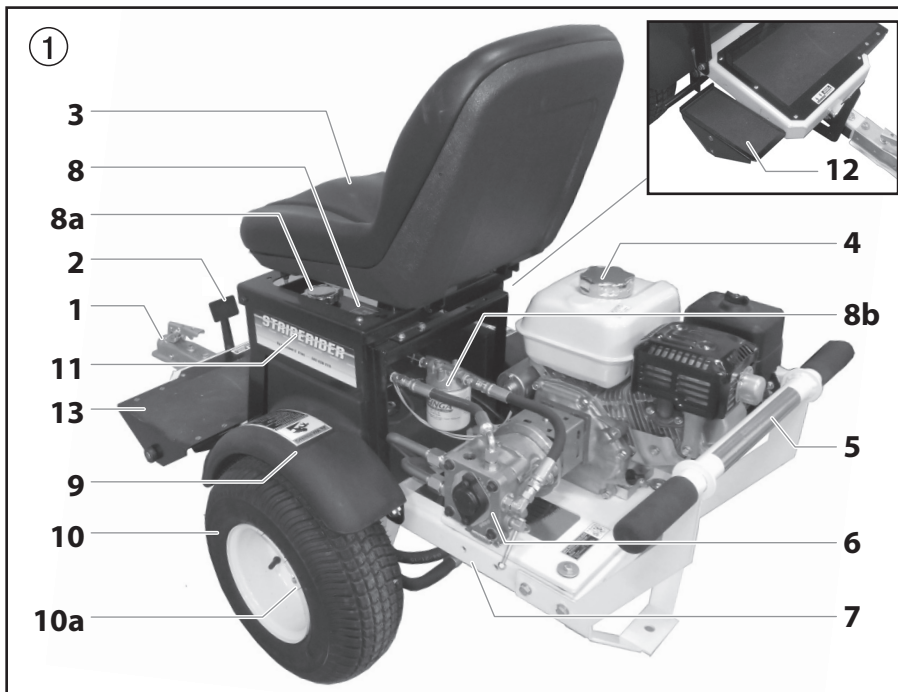
LazyLiner må ikke transporteres med kran.

Technische gegevens

	LazyLiner Pro	LazyLiner Elite
Motor		
	Honda GX160, trækstarter	Honda GX200 el-starter, 16A/200W
Motorolietype		
	SAE10-30W (0,6 l)	SAE10-30W (0,6 l)
Vægt		
	118 kg	127 kg
Mål (L x B x H, sædet i løftet stilling)		
	145 cm x 66 cm x 107 cm	157 cm (med installeret stødstang) x 74 cm x 107 cm
Maksimal hastighed		
Fremad	0-16 km/t	0-16 km/t
Opbakning	0-11 km/t	0-11 km/t
Lydtryk		
	85 dB*	85 dB*
Vibreringsniveau (med tilsluttet stribeudstyr til linjer)		
	< 2,5 m/s ² (på højre og venstre hånd)	< 2,5 m/s ² (på højre og venstre hånd)
Maksimalt dæktryk		
	1,7 bar	1,7 bar
Konstruktion	Svejset ramme- og skærmkonstruktion af 100 % stål, motorbeskyttelsesstang og stålkofangere med industripulvermaling	
Drev	Hydrostatisk transmissionssystem af støbejern til fremadkørsel og opbakning	
	Én gaspedal (fremad/opbakning)	
	Sporingskontrol drevedifferentiale	
	Toradet rullende kædedrev	
	Mobil 1™ 15W50 fuldsyntetisk olie (4 liter)	
Hydraulisk driftstryk		
	186 bar	186 bar
Driftstemperatur	+10 °C og +40 °C (+50 °F og +104 °F)	
Relativ luftfugtighed	50 %, ved +40 °C (+104 °F) (En højere relativ luftfugtighed frembyder intet problem ved lavere temperaturer.)	
Driftshøjde	maksimalt 3000 m (9843') over havets overflade	
Parkeringsbremse	Håndbremse, parkering	
Bugsertræk	Til installering på Titan og Graco udstyr til linjemaling	
Sæde	Luksus, høj polstret ryg med bekvemmelighedskontrol, der kan justeres, og vægtsensor til sikkerhedsafbryder	

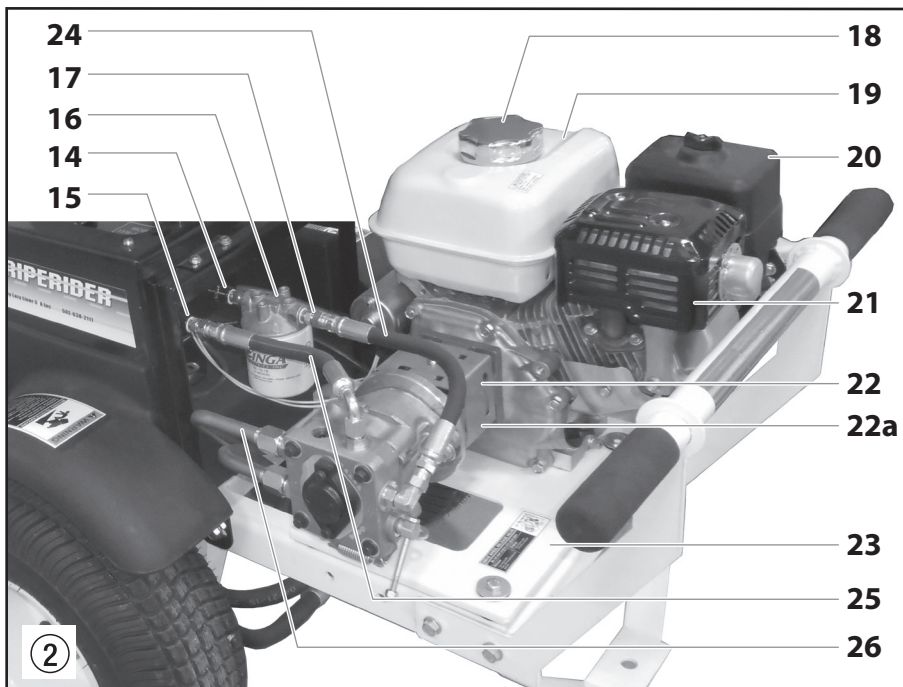
* Målt i forhold til sædestillingens højde.

Dele / kontrolidentifikation



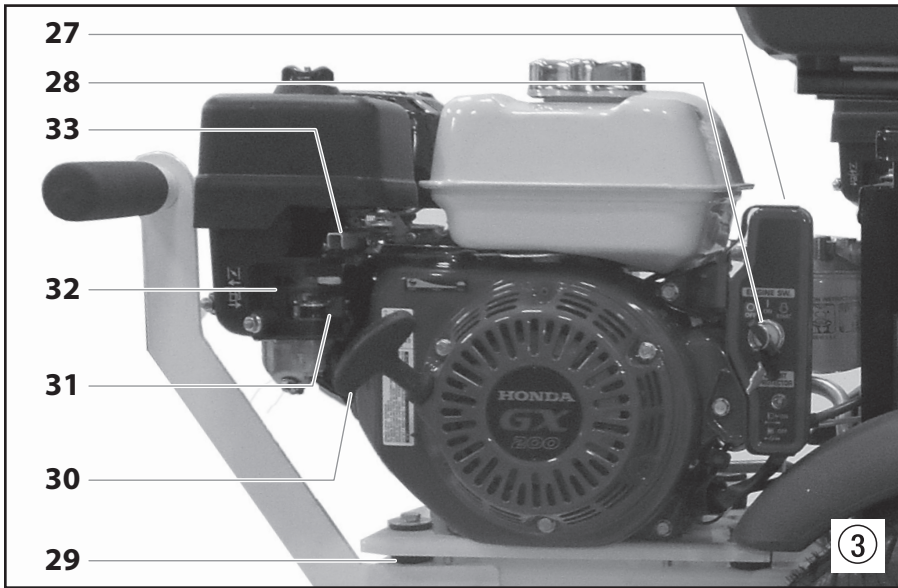
*	2413480	Bærebakke (valgfrit tilbehør, ikke vist på billedet) fastgøres til kofangerstangen over motoren.
---	---------	--

#	Best.-nr.	Betegnelse	
1	290647	Koblingskonsol	
2	290648	Håndbremsehåndtag	
3	290675	Sæde	
	290173	Sæde safety switch	
4	0537547A	Motor (GX200 el-starter vises, Elite)	
	980-331A	Motor (GX160, kun Pro)	
5	2423493	Stødstang, Honda (kun Pro)	
	0290646Z	Stødstang, Subaru (kun Pro)	
6	290649	Hydraulisk BDP-pumpe	
7	290650	Hovedchassisramme	
8	290652	Hydrauliktank, 4 qt.	
	a	290678	Hætte til hydrauliktank
	b	290679	Hydraulikfilter
9	-----	Skærm	
10	290676	Hjulumontage, Elite (2)	
	290677	Hjulumontage, Pro (2)	
a	290682	Hjulmøtrikker (4 pr. hjul)	
11	290653	Sæderamme	
12	-----	Pedal	
13	290656	Fodbræt	

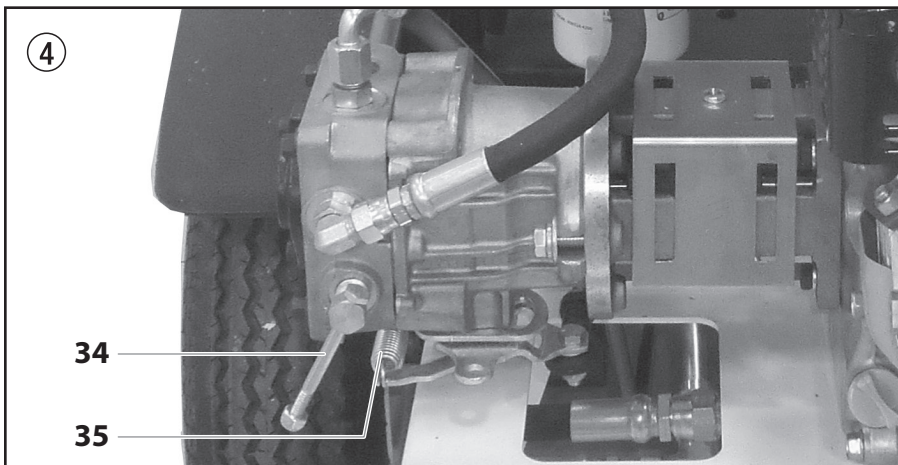


#	Best.-nr.	Betegnelse
14	290394	Nippel, 1/4" NPT, han
15	290396	Knæ, 90°
16	290657	Oliefilter og hjulspin på kassen
17	290395	Knæ, 90°
18	-----	Benzinhætte med aftræk
19	-----	Benzintank
20	-----	Luftfilter
21	-----	Lydpottemontage
22	290658	Aluminiumspumpens montagekasse
a	290659	Love-joy-koblinger (sidder inden i emne 22)
23	290660	Maskinmontage til chassisrammen, udstyret med 8 bøsninger af gummi til vibreringsisolering
24	290655	Hydraulisk linje under tryk fra filter til pumpe
25	290661	Hydraulisk returlinje fra BDP-pumpe til tank
26	290662	Hårde stållinjer, der forbinder hjulmotorslanger til pumpen

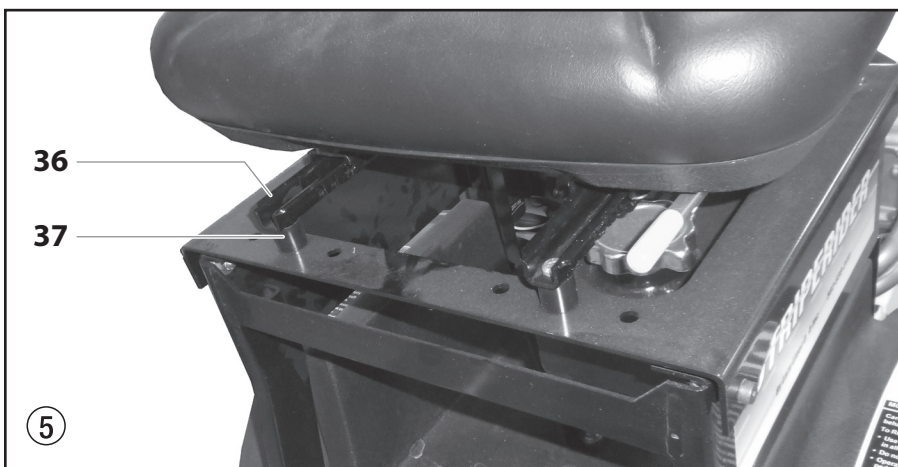
Dele / kontrolidentifikation



#	Best.-nr.	Betegnelse
27	-----	Shuntventil til magneto, (kun Elite). Se motormanualen
28	-----	Nøgleafbryder til Elite-enheden (7 hk)
29	290663	Gummi isolatorbøsninger beregnet til motorplade til chassisramme
30	-----	Rekyltrækstarter (Pro og Elite enheder)
31	-----	Brændstofafbryder
32	-----	Drosselgreb
33	-----	Motorgasspæld, (Pro og Elite enheder)

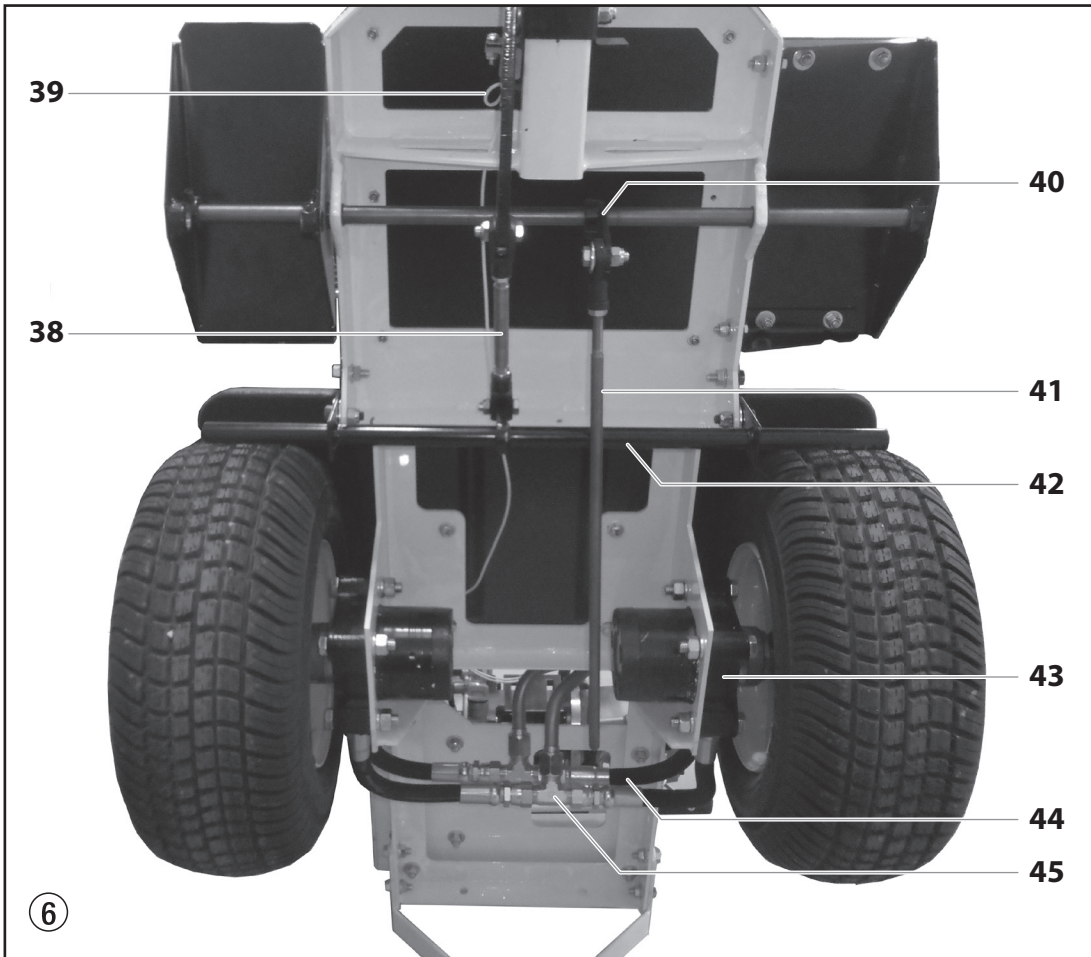


#	Best.-nr.	Betegnelse
34	-----	Hydraulisk udløsningsventil, bypass. Drejes med uret for at sætte hidraulikken i gear; løsnes (mod uret 1/2 - 1 omdrejning) for at koble fra, sætte i frigeat
35	290665	RTF (retur til frigeat)-fjeder og -mekanisme, forbindelse til pedalforbindelsesleddet under chassisrammen



#	Best.-nr.	Betegnelse
36	290391	Sædejusteringsbeslag(2)
37	290392	Afstandsstykke (4)

Dele / kontrolidentifikation



#	Best.-nr.	Betegnelse
38	-----	Håndbremse til parkering, underste del af punkt 2, som tilkobler dette system
39	290680	Ledningsnet, motorstop
40	290393	Forbindelsesstangender
41	290670	Ledforbindelsesstang, forbinder pedalakslen til RTF på BDP-pumpen, (7/16" UD)
42	290671	Låsestang til parkeringsbremse

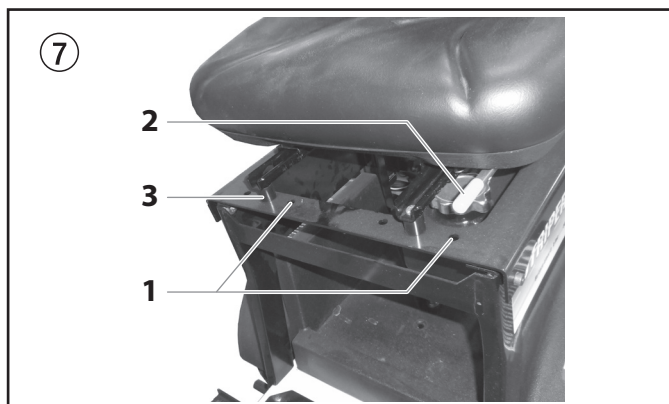
#	Best.-nr.	Betegnelse
43	290672	Dobbelte hydraulik drivhjuls motorer
44	290673	Hydrauliklinjer, der forbinder hjulmotorer til hårde stållinjer på pumpen, 4 i alt, to pr. hjulmotor
45	290674	3-gangs-, han-"T" fittinger til at forbinde hjulmotorlinjerne til de hårde stållinjer fra pumpen
	290681	Batterikabler, positive og negative (kun Elite, vises ikke).

Justerbare bekvemmelighedsegenskaber

Justerbart sæde

Sædet på LazyLiner-enheden kan justeres eller tilpasses, og kan indstilles til at yde dig et bedre bekvemmelighedsniveau til daglig betjening, hvis det er nødvendigt. Figur 7 viser sædet i en stilling forskudt til højre side.

1. Den venstre/højre sædestilling kan ændres ved at fjerne møtrikkerne under sædeskinne, og tilpasse sædeskinne til et andet sæt huller (fig. 7, punkt 1) i sæderammen. Sædet kan anbringes enten forskubbet til højre eller venstre side, eller i midten af sæderammen.
2. Sædet kan justeres frem-og-tilbage med håndtaget (2) under venstre side af sædet. Træk i håndtaget og justér sædet bagud eller fremad til den ønskede stilling.
3. Afstandsstykkerne (3) kan installeres eller fjernes for at justere sædet op eller ned.



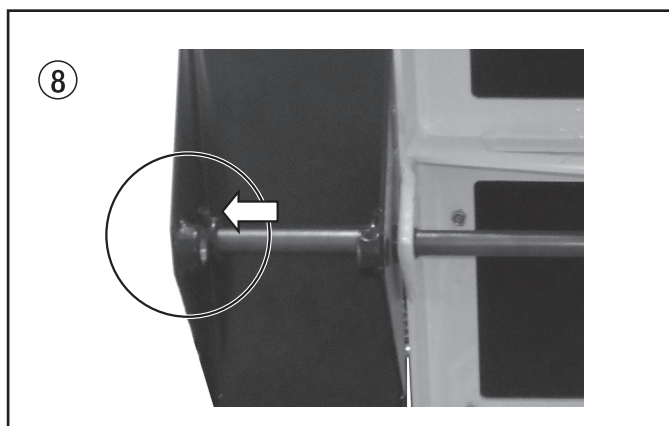
Justérbar pedal

Lazylinerens gaspedal (pedalen til højre) kan justeres i forskellige vinkler, den kan ligeledes justeres til en top- og en bundstilling. Ved anvendelse af disse funktioner er det muligt at mindske trætheden i fod og ankel samt at øge benpladsen og højden en lille smule, så det bliver lettere at nå pedalen.

LazyLiner-enhedens pedal vendes nedad (DOWN) til forsendelsen.

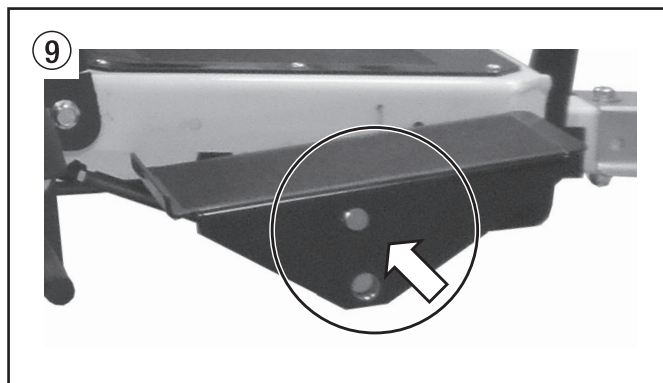
Følg disse anvisninger til at justere gaspedalstillingen.

1. Find de to stilleskruer under pedalen, som fastholder pedalen på akslen. Løsn disse stilleskruer ved hjælp af en sekskantnøgle.



i Hvis du har til hensigt at ændre pedalhøjden, fjernes stilleskruerne fuldstændigt. Hvis du kun tilpasser pedalen vinkel, men ikke højden, er det ikke nødvendigt at fjerne stilleskruerne fuldstændigt, så kan du nøjes med at løsne dem.

2. Mens stilleskruerne er løsnet eller fjernet, justeres pedalen til den ønskede højde og vinkel. Pedalen stilles i ØVERSTE (UP) stilling ved at stikke pedalakslen gennem hullet i pedalen bund.



3. Sæt stilleskruerne på plads igen og/eller stram dem for at sætte pedalen fast.

i Hvis stilleskruerne ikke er strammet fast nok, griber pedalerne ikke ordentligt ind i pedalakslen, og gasspjældet vil ikke fungere korrekt.

Opstilling

Installér batteriet (kun Elite)

LazyLiner Elite leveres uden batteri. Det er nødvendigt at købe et batteri inden brug for at få den elektriske starter til at fungere.

1. Der henvises til Honda-motormanualen, der er vedlagt LazyLineren, mht. de hensigtsmæssige batterispecifikationer.
2. I rummet under det justerbare sæde løsnes den bolt, der holder batterikonsollen fast på rammen.
3. Installér batteriet og tilslut batterikablerne til de hensigtsmæssige poler: rød til positiv (+) pol; sort til negativ (-) pol.
4. Sæt batterikonsollen fast på siden af batteriet for at holde det på plads. Stram konsolbolten, så det sidder fast.

Montér bugsertrækket

1. Montér bugsertrækket på bagsiden af udstyret til at male striber. Følg de særlige anvisninger, som blev leveret med LazyLineren.
2. Løft låsegrebet på koblingskonsollen på LazyLineren, og placér det over bugsertrækket. Hæng LazyLineren på udstyret til at male striber, og sørg for, at bugsertrækket indkobles. Sæt bugsertrækket fast med bolt og split.

Driftsafkrydningsliste

Gennemgå følgende tjek inden drift:

1. Kontroller endnu en gang, at alle dele er korrekt monteret for at sikre forsvarlig drift.
2. Tjek motorolien.
3. Tjek transmissionsolien.
4. Fyld brændstof med blyfri benzin i tanken.
5. Tjek trykket i dækkene.

Drift



Inden udstyret sættes i gang, skal anvisningerne i driftsmanualen for Honda-motorer læses grundigt igennem.

1. Kontrollér motorens olieniveau. Der henvises til den motormanual, som blev leveret, mht. anbefalet olieniveau og service. Motoren er normalt blevet afprøvet forud for levering, og den er fyldt med olie fra fabrikken.
2. Kontrollér niveauet af transmissionsolie i enheden ved at tage påfyldningshætten øverst på hydrauliktanken af. Olieniveauet bør være 2 til 2,5 cm fra toppen af tanken.



Pas på!

Hvis oliestanden er lav, eller hvis olien har behov for at blive udskiftet, skal der altid bruges Mobil 1™, 15W50 fuldsyntetisk olie. Der må aldrig anvendes "hydraulikolie" i systemet.

3. Tag benzinhætten af og fyld tanken med almindelig, blyfri benzin, sørg for, at brændstofafbrydergrebet er slået til. Sæt benzinhætten på plads.
4. Sid på LazyLineren, eller træk parkeringsbremsen.
5. Start motoren:
 - a. Træk parkeringsbremsen (der henvises til fig. 1, punkt 2). Skub armen fremad for at trække bremsen.
 - b. Flyt brændstofventilen til åben, og drosselventilen til lukket (samme gælder både for enheder med el-starter eller træk-starter)
 - c. Indstil drosselventilen på høj, og sæt motorafbryderen på ON (TÆND) (hvis det er en enhed med træk-starter)
 - d. Træk i motorsnoren eller drej nøglen
 - e. Efter motoren starter, flyttes drosselventilen til kør, og gasspæddet stilles på den ønskede stilling.



LazyLiner enheden kan ikke startes, med mindre parkeringsbremsen er tilkoblet eller føreren sidder på maskinen. Hvis bremsen ikke er tilkoblet, eller føreren ikke sidder på enheden, tillader sikkerhedssystemet ikke, at motoren startes.

6. Grib fat om håndtagene og klem rullehjulsudløsningen.
7. Betjen pedalerne enten til fremadgående retning (tåen nedad) eller til opbakning (hælen nedad), afhængigt af, hvad der er brug for. Enhederne drejes ved at bruge sribeenheden og slippe rullehjulet.
8. LazyLineren vil nå op på den ønskede hastighed (0-16 km/t fremad, 0-11 km/t baglæns) ved at trykke hårdere eller lettere på pedalmontagen.

Enheden vil standse fuldstændigt (brat), så snart pedalerne får lov at vende tilbage til midterstilling eller frigear. Hydrauliktrykket er ansvarligt for standse- eller bremsefunktionen, som får enheden til at standse.



Hvis LazyLineren ikke bevæger sig, er det nødvendigt at stramme bypasset til den hydrauliske udløsningsventil (se figur 4, punkt 34). Drej 1/2 til 1 hel omgang med uret, indtil det er stramt, for at tilkoble drevet.



ALTID træk parkeringsbremsen, når LazyLineren ikke er i drift, eller du ikke sidder på den.

Vedligeholdelse

Læs nedenstående oplysninger om hvilke typer vedligeholdelse, der skal foretages på LazyLineren med visse driftsmellemrum.



Læs anvisningerne i brugsanvisningen for Honda motorer, hvor der findes udførlige oplysninger om vedligeholdelse og pasning af motoren.

Dagligt:

- Tjek motorolieniveauet og fyld på efter behov.
- Tjek niveauet i tanken med hydraulikolie til transmissionen og fyld på efter behov. Olie og filter skal udskiftes for hver 650-700 timers funktion.
- Tjek benzintanken og fyld den med alm. blyfri benzin.
- Tjek dækkene og pump dem op til 1,7 bar efter behov.
- Tør maskinen af – der må aldrig bruges vandslange til afvaskning.
- Tjek luftrensingsfiltret og gør det rent. Udskiftes efter behov.

Efter de første 20 timer:

- Dræn motoren for olie og fyld den op igen med SAE 10W-30 olie. Se producentens specifikationer vedr. API klassificering

Ugentligt:

- Smør en lille smule fedt på kuglekoblingsleddet inden i kugleområdet.
- Tjek at alt isenkram er helt. Stram alle løse bolte eller møtrikker.

Hver 50. time:

- Udskift tændrøret.
- Tjek systemet for olielækage fra drivmontagen.

Hver 100. time:

- Spray kæden med tørt kædespray til motorcykler.
- Smør akslens kuglelejer med konsistentfedt af molytypen, pump to gange med fedtpistolen. Tør ekstra fedt af kuglelejerne.
- Dræn motoren for olie og fyld den op igen med SAE 10W-30 olie. Se producentens specifikationer vedr. API klassificering.
- Tjek transmissionstanken og fyld den op efter behov.
- Tjek kædespændingen og nulstil tomgangskædehjulet til rette spænding efter behov. Fjern transmissionsdækslet og tjek drivremmen. Stram til rette spænding efter behov.
- Brug trykluft til at fjerne støv, der har hobet sig op indenfor dækslet.
- Skift rundt på dækkene for at få jævner slid og længere levetid. Efterhånden som dækkene slides, bliver det nødvendigt at justere bremsemontagen for at sikre hensigtsmæssig kontakt med dækkene. Løsn de to 3/8" bolte, der holder bremsemontagen fast på chassisrammen. Bank bremsemontagen 3 til 6 mm mod enhedens bagende. Stram boltene igen.

Hjælp ved problemer

Fejltype	Mulig årsag	Foranstaltning til afhjælpning af fejlen
A. Motoren nægter at starte.	<ol style="list-style-type: none"> 1. Motorafbryderen står på SLUK (OFF), tør for benzin eller lavt olieniveau. 2. Batteriet brugt op 3. Parkeringsbremsen er ikke tilkoblet. 4. Der er ingen i førersædet, sensoren er ikke udløst 	<ol style="list-style-type: none"> 1. Der henvises til motormanualen. 2. Træk i startsnoren 3. Træk parkeringsbremsen. 4. Sid ned i førersædet
B. Motoren løber løbsk til høje o/ min. eller staller under drift.	<ol style="list-style-type: none"> 1. Slidt gasspjældsarm, presostat. 	<ol style="list-style-type: none"> 1. Der henvises til motormanualen.
C. Motoren virker, LazyLiner flytter sig hverken i fremad eller opbakning.	<ol style="list-style-type: none"> 1. Hydraulikolieniveauet er lavt. 2. Speederen er blevet justeret forkert. 3. Enderne af forbindelsesstængerne på tværsakslen til de dobbelte pedaler er løse. 4. Parkeringsbremsen er trukket. 5. Bypassen til hydraulikudløsningsventilen er åbent. 	<ol style="list-style-type: none"> 1. Fyld med hydraulikolie. 2. Stram stilleskruerne under pedalerne for at sætte dem godt fast på pedalakslen. 3. Sørg for, at forbindelsesstængernes ender er sat godt fast på tværsakslen til de dobbelte pedaler (se figur 6, punkt 40). 4. Udløs parkeringsbremsen. 5. Luk bypassen til hydraulikudløsningsventilen.
D. Motoren virker, LazyLiner bevæger sig langsomt i fremad eller opbakning.	<ol style="list-style-type: none"> 1. Hydraulikolieniveauet er lavt. 2. Speederen er blevet justeret forkert. 3. Enderne af forbindelsesstængerne på tværsakslen til de dobbelte pedaler er løse. 4. Parkeringsbremsen er trukket. 5. Bypassen til hydraulikudløsningsventilen er åbent. 	<ol style="list-style-type: none"> 1. Fyld med hydraulikolie. 2. Stram stilleskruerne under pedalerne for at sætte dem godt fast på pedalakslen. 3. Sørg for, at forbindelsesstængernes ender er sat godt fast på tværsakslen til de dobbelte pedaler (se figur 6, punkt 40). 4. Udløs parkeringsbremsen. 5. Luk bypassen til hydraulikudløsningsventilen.
E. Parkeringsbremsen er trukket, motoren fortsætter med at køre, når føreren stiger ud af LazyLineren.	<ol style="list-style-type: none"> 1. Defekt sikkerhedskontakt. 2. Parkeringsbremsen griber ikke ind i dækkene. 	<ol style="list-style-type: none"> 1. Kontakt kundeservice hos Titan. 2. Justér parkeringsbremsen iflg. vedligeholdelsesanvisningerne (se det sidste fede punkt, "hver 100 timer", på forrige side).
F. Motoren sætter ud, når maskinen drejer og under skift fra fremadkørsel og opbakning.	<ol style="list-style-type: none"> 1. Motorolieniveauet er lavt. 	<ol style="list-style-type: none"> 1. Fyld op til det korrekte olieniveau.
G. Motoren kører i kort tid and standser.	<ol style="list-style-type: none"> 1. Restriktion af benzinflow. 	<ol style="list-style-type: none"> 1. Der henvises til motormanualen.
H. LazyLiner stil moves after parking brake set.	<ol style="list-style-type: none"> 1. Parkeringsbremsen griber ikke ind i dækkene. 	<ol style="list-style-type: none"> 1. Justér parkeringsbremsen iflg. vedligeholdelsesanvisningerne (se det sidste fede punkt, "hver 100 timer", på forrige side).

Kan problemet ikke afhjælpes, bedes du henvendedig til Titan kundeservice.




Innehåll

Sikkerhetsföreskrifter	66
Tekniska data	67
Identifiering av delar / reglage	68-70
Inställbara komfortfunktioner	71
Montering	71
Checklista för drift	71
Drift	72
Underhåll	72
Åtgärder vid funktionsstörningar	73
Garanti	76

Sikkerhetsföreskrifter

Den här manualen innehåller information som skall läsas och förstås innan utrustningen används. Var extra uppmärksam på följande symboler och läs noga igenom varningstexten.

Det är viktigt att du läser och förstår alla instruktioner i bruksanvisningen för Honda-motorer och utrustningen från Titan LazyLiner.

	Den här symbolen innebär att det föreligger risk för allvarlig skada eller dödsfall. Viktig säkerhetsinformation följer.
	Den här symbolen innebär att det föreligger risk för dig eller utrustningen. Viktig information om hur du förebygger skada på utrustningen eller hur du undviker mindre skador följer.
	Anmärkningar ger viktig information som bör uppmärksammas särskilt.

Arbeten eller reparation på elsystemet:

Får endast utföras av behörig elektriker. Vi tar inget ansvar för felaktigt utförd installation.

Transport och lagring

Denna utrustning motstår, eller har skyddats mot transport- och lagringstemperaturer på -25 °C till +55 °C, och upp till +70 °C under kortare perioder.

Utrustningen har förpackats så att skada från effekter av normal fuktighet, vibration och stötar förhindras.



VARNING FÖR FORDON I RÖRELSE

Ovarsamt och vårdslöst beteende orsakar olyckor. Att falla av fordonet, köra på människor eller föremål, bli påkörd av andra fordon kan leda till allvarlig personskada eller dödsfall.

FÖREBYGGANDE:

- Stig inte på framåt-/bakåt-pedalen när du kliver på LazyLiner.
- Sväng långsamt och begränsa svängen till max 45°.
- Kör inte i lutningar större än 15°.
- Var försiktig när du kör i stora lutningar så att inte dragkraften försvinner.
- Inga passagerare.
- Bogsera inte utan bogserats och begränsad nyttolast.
- Följ gällande trafik- och transportregler.
- Kör inte utrustningen utan tillfredsställande belysning.
- Utrustningen får endast köras på rena och stabila ytor.



VARNING FÖR BRÄNNSKADOR

Undvik allvarliga brännskador genom att hålla dig på avstånd från varm utrustning och vätska. Vänta tills utrustningen/vätskan svalnat helt. Placera inte lättantändliga material (som t.ex. oljeindränkta trasor) på motorn.



VARNING FÖR KOLMONOXID

Inandning av kolmonoxid kan leda till dödsfall. Kör inte i slutna områden.



PERSONLIG SKYDDSUTRUSTNING

Bär lämplig skyddsutrustning när du använder eller underhåller utrustningen så att du skyddas mot allvarlig personskada:

FÖREBYGGANDE:

- Skyddsglasögon
- Skyddskläder och andningskydd som rekommenderas av tillverkaren
- Skor med stålhätta
- Skyddshandskar
- Hörselskydd



VARNING FÖR BRAND- OCH EXPLOSIONSRISK



Lättantändliga rökgaser, t.ex. från lösningsmedel och färg, i arbetsområdet kan antändas eller explodera.

FÖREBYGGANDE:

- Använd utrustningen i väl ventilerat område.
- Fyll inte på bränsletanken när motorn är igång eller varm.
- Eliminera alla tändningskällor när lättantändliga rökgaser förekommer.
- Håll arbetsområdet skräpfritt
- Stäng av motorn omedelbart om du ser en statisk gnistbildning eller får en elstöt.
- Se till att det finns en brandsläckare i arbetsområdet.



FÖRVARING

Låt inte LazyLiner stå ute utan skydd, den måste förvaras på torr plats.



TRANSPORT

LazyLiner får inte kopplas till trailerdragkrokan på ett motorfordon för transport. LazyLiner får endast transporteras på en lastbil med plant flak efter att den spänts fast ordentligt.

Klämrisk! Lastning och lossning av LazyLiner måste utföras av flera personer.

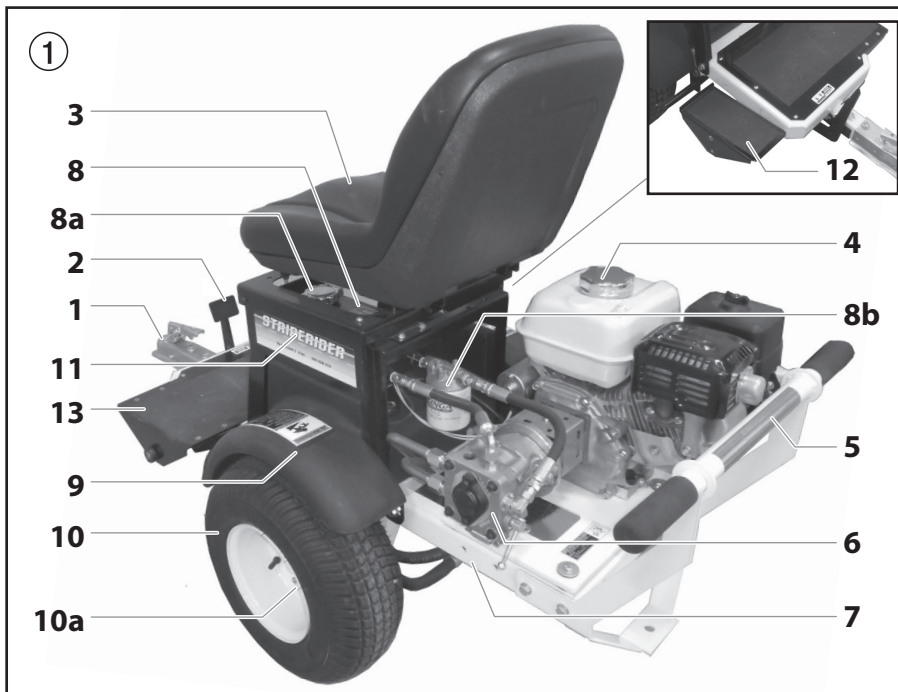
LazyLiner får inte transporteras med hjälp av en kran.

Tekniska data

	LazyLiner Pro	LazyLiner Elite
Motor		
	Honda GX160, dragstart	Honda GX200, elstart, 16A/200W
Motorolja		
	SAE10-30W (0,6 l)	SAE10-30W (0,6 l)
Vikt		
	118 kg	127 kg
Mått (L x B x H, sätet i upphöjt läge)		
	145 cm x 66 cm x 107 cm	157 cm (stötfångarskena installerad) x 74 cm x 107 cm
Max. hastighet		
Framåt	0-16 km/tim	0-16 km/tim
Bakåt	0-11 km/tim	0-11 km/tim
Ljudtryck		
	85 dB*	85 dB*
Vibrationsnivå (med fastsatt linjemålningsutrustning)		
	< 2,5 m/s ² (höger och vänster hand)	< 2,5 m/s ² (höger och vänster hand)
Max. ringtryck		
	1,7 bar	1,7 bar
Konstruktion	Alla svetsade stålkonstruktioner som t.ex. ram, skyddsanordningar, motorskyddsstång och stålskärmar pulverlackeras på fabrik	
Drivanordning	Hydrostatisk transmission av gjutjärn för drift framåt och bakåt	
	En gaspedal (framåt/bakåt)	
	Drivdifferential för spårstyrning	
	Kedjedrev med dubbla rader rullar	
	Mobil 1™ 15W50 helsyntetisk olja (ca. 4 liter)	
Hydrauliskt driftstryck		
	186 bar	186 bar
Driftstemperatur	+10°C till +40°C (+50°F till +104°F)	
Relativ fuktighet	50%, vid +40°C (+104°F) (Högre relativ fuktighet innebär inga problem vid lägre temperaturer.)	
Driftshöjd	max. 3000 m (9843 fot) över havsytan	
Parkeringsbroms	Manuell parkeringsbroms	
Dragkrok	För montering på Titan och Graco linjemålningsutrustning	
Säte	Deluxe, högt beklätt ryggstöd med inställbar komfortkontroll och viktsensor för säker avstängning av motorn	

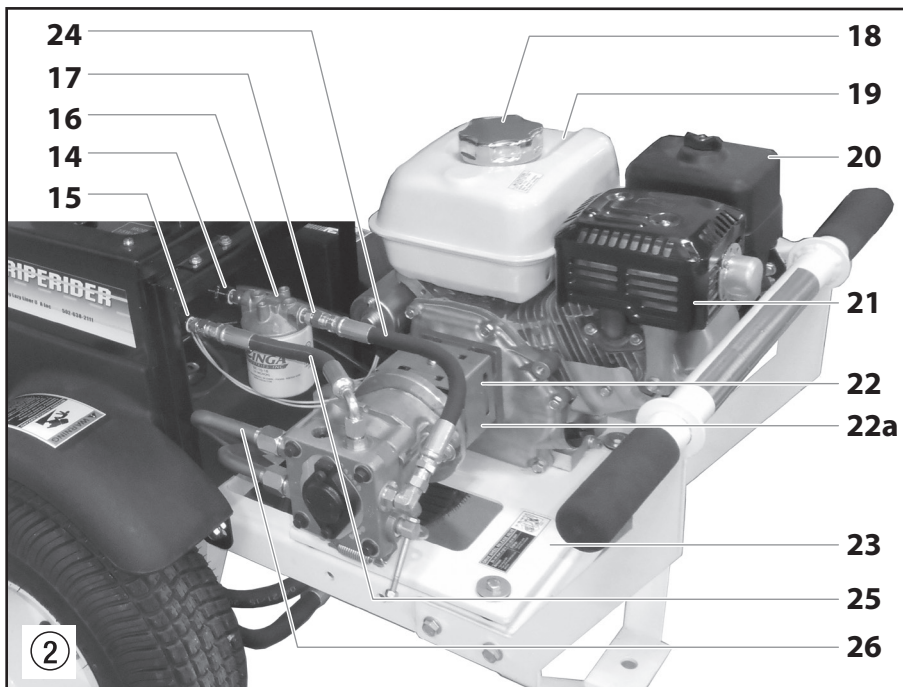
* Mätt i höjd med sätespositionen.

Identifisering av delar/reglage



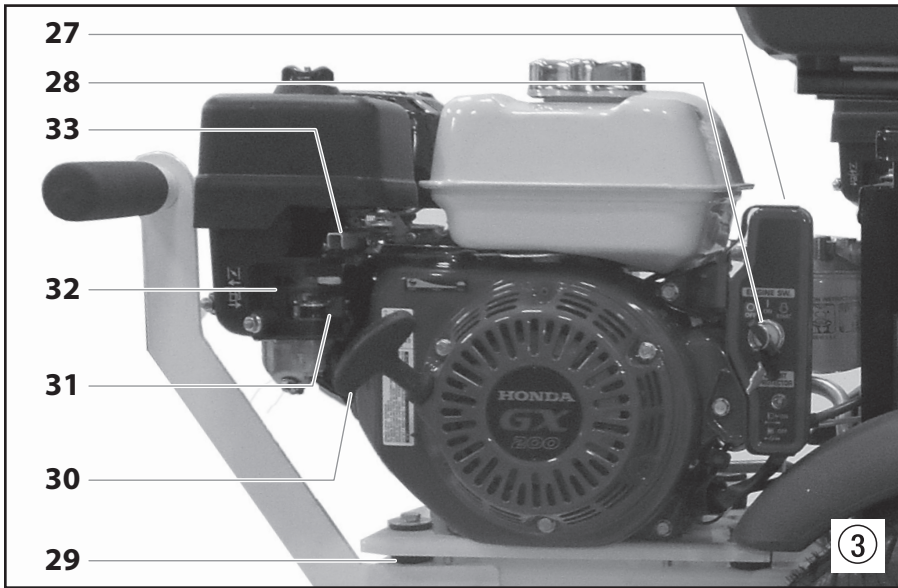
* 2413480 Bärarbricka (valfritt tillbehör, visas inte på bilden) fästs på stötfångarstängan ovanför motorn.

#	Best. nr.	Benämning	
1	290647	Kopplingsfäste	
2	290648	Manuell bromsspak	
3	290675	Säte	
	290173	Säte safety switch	
4	0537547A	Motor (GX200, elstartmodell visas, Elite)	
	980-331A	Motor (GX160. Endast Pro)	
5	2423493	Stötfångarskena, Honda (Endast Pro)	
	0290646Z	Stötfångarskena, Subaru (Endast Pro)	
6	290649	Hydraulisk BDP-pump	
7	290650	Huvudram	
8	290652	Hydraultank, ca. 4 liter	
	a	290678	Lock till hydraultank
	b	290679	Hydraulfilter
9	-----	Skärm	
10	290676	Hjul, Elite (2)	
	290677	Hjul, Pro (2)	
a	290682	Hjulmuttrar (4 per hjul)	
11	290653	Sätesram	
12	-----	Fotpedal	
13	290656	Fotstöd	

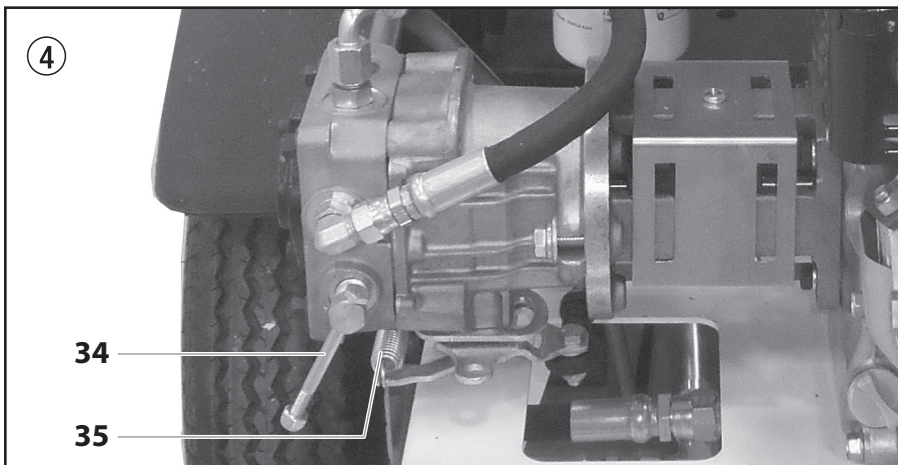


#	Best. nr.	Benämning
14	290394	Nippel, NPT-hangänga 1/4" (6,4 mm)
15	290396	Knärör, 90°
16	290657	Oljefilter och spinn på huset
17	290395	Knärör, 90°
18	-----	Ventilerat bensintankslock
19	-----	Bensintank
20	-----	Luftfilter
21	-----	Ljuddämpare
22	290658	Pumphus i aluminium
	a	290659
23	290660	Motor fastsatt i ramen med åtta vibrationsisolerande gummibussningar
24	290655	Hydraulisk tryckledning mellan filter och pump.
25	290661	Hydraulisk returledning mellan BDP-pump och tank
26	290662	Stålrör mellan hjulmotorlangar och pump

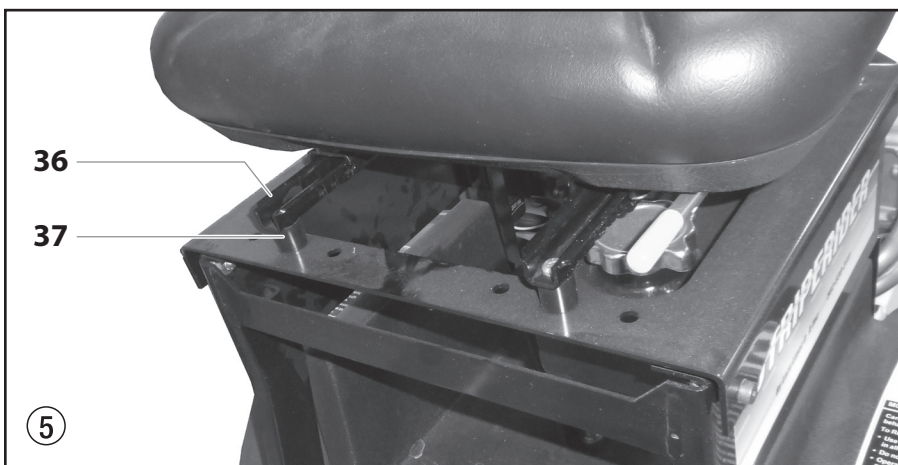
Identifiering av delar/reglage



#	Best. nr.	Benämning
27	-----	Likriktare för magnetapparaten, (Endast Elite). Se bruksanvisningen för motorn
28	-----	Nyckelomkopplare för Elite (7 hk)
29	290663	Isolerande gummibussningar mellan motorplatta och ram
30	-----	Dragstart (Pro- och Elite-enheterna)
31	-----	Bränsleavstängningskran
32	-----	Chokespak
33	-----	Gasreglage, (Pro- och Elite-enheterna)

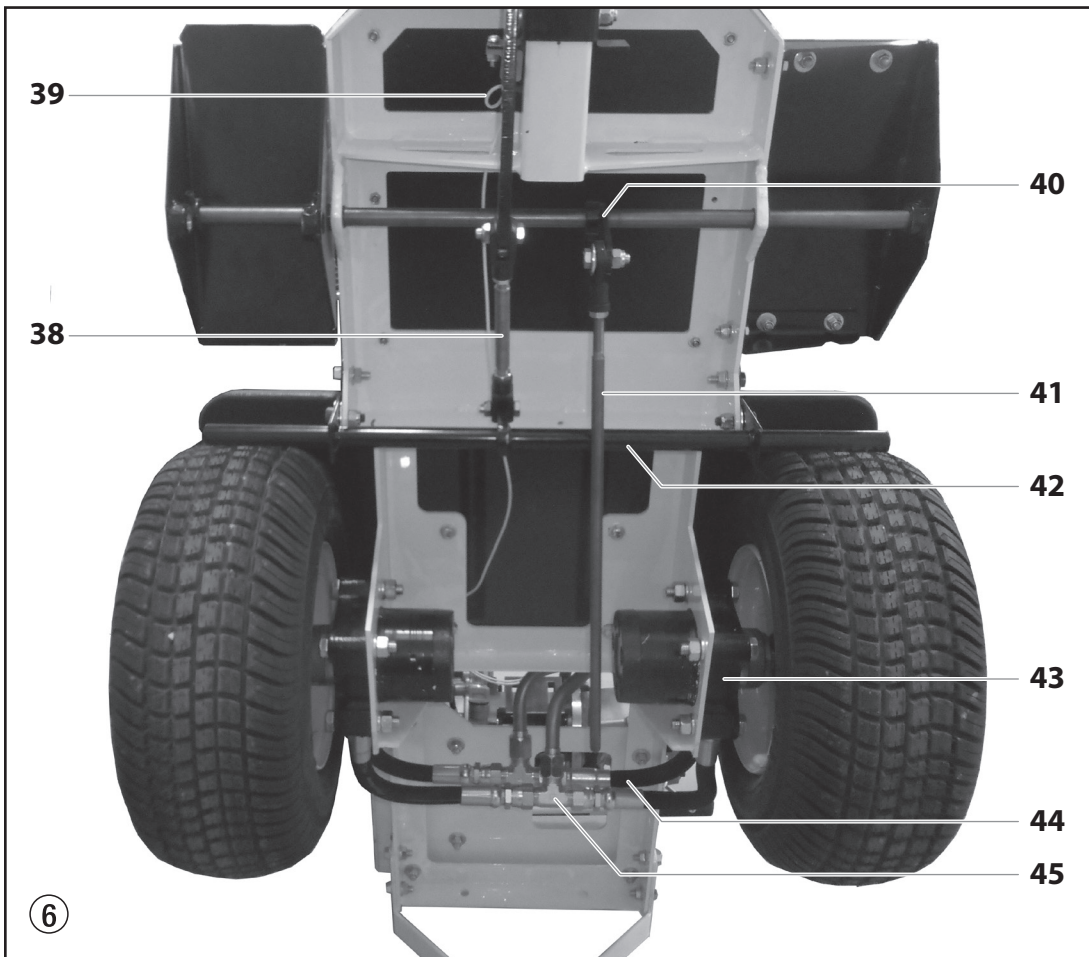


#	Best. nr.	Benämning
34	-----	Aktiveringsventil för hydrauliken. Vrid den medurs för att aktivera hydrauliken; lossa den (moturs 1/2 - 1 varv) för att inaktivera den till neutralläge
35	290665	Fjäder och mekanism för att kunna återgå till neutralläget. Ihopkopplad med pedalsystemet under ramen.



#	Best. nr.	Benämning
36	290391	Fäste för sätesinställning (2)
37	290392	Distansbricka (4)

Identifiering av delar/reglage



#	Best. nr.	Benämning
38	-----	Manuellt manövrerat bromssystem, som utgör nedre delen av pos. 2 (manuell bromsspak).
39	290680	Kabelbindare, motorstopp
40	290393	Ändpunkter på anslutningsstången
41	290670	Länkstång som kopplar ihop pedalaxeln med fjäderåtergången på BDP-pumpen, (yttre diameter 7/16" (11,1 mm))
42	290671	Låsstång för parkeringsbroms

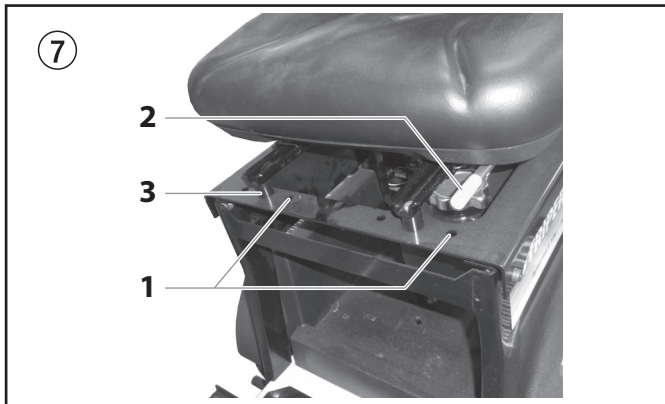
#	Best. nr.	Benämning
43	290672	Dubbla hydrauliska drivmotorer för hjulen
44	290673	Hydraulikledningar som kopplar samman hjulmotorerna med stålrören till pumpen. Totalt fyra stycken per hjulmotor
45	290674	Trevägs hankoppling som kopplar samman motorrören och stålrören från pumpen
	290681	Batterikablar, positiva och negativa (Endast för Elite, visas inte).

Inställbara komfortfunktioner

Inställbart säte

Du kan vid behov ställa in sätet på din LazyLiner-enhet, så att det passar dig komfortmässigt bättre för ditt dagliga arbete. I figur 7 visas sätet i det högra läget.

1. Om du vill ändra på sätets vänster-/högerläge tar du bort muttrarna under sätesspårerna och flyttar sätesspårerna, så att de passar i nya hål i ramen (Fig. 7, pos. 1). Du kan placera sätet till höger eller till vänster eller i mitten på sätesramen.
2. Du kan skjuta sätet framåt eller bakåt med hjälp av spaken (2) under sätets vänstra sida. Dra i spaken och flytta sätet framåt eller bakåt till önskat läge.
3. Avståndsstyckena (3) kan installeras eller tas bort för att justera sätet upp eller ner.



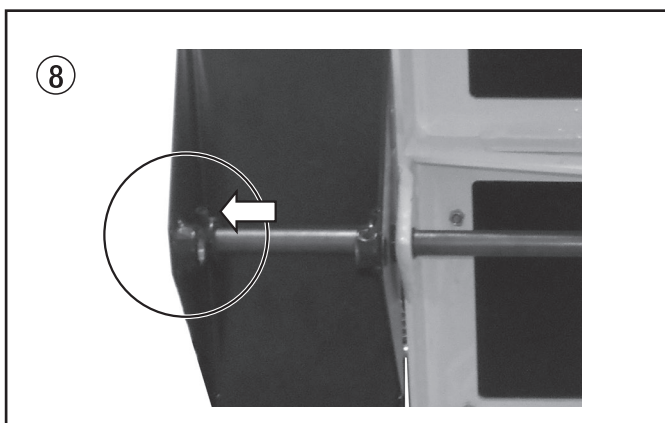
Justerbar pedal

Gaspedalen (den högra pedalen) på LazyLiner kan ställas in i flera olika vinklar och höjdlägen. Använd dessa funktioner för att minska trötthetskänslan i foten och vristen. Eller skapa lite mer benutrymme eller bättre höjd för att nå pedalen.

LazyLiner levereras med pedalen i NEDRE läget.

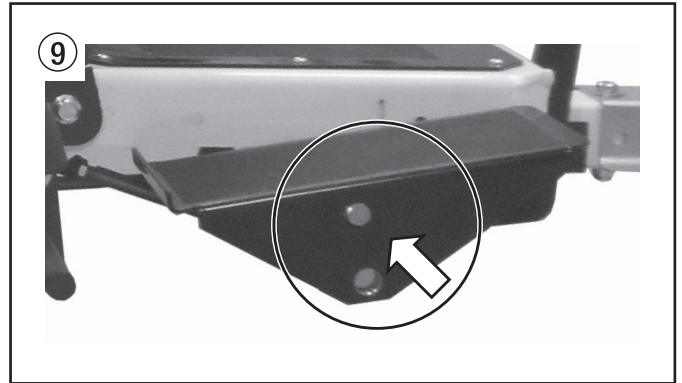
Följ stegen nedan för att ställa in läget på pedalen.

1. Under pedalen sitter två inställningsskruvar som håller fast pedalen i axeln. Lossa på dessa skruvar med hjälp av en insexnyckel.



i Ta bort skruvarna helt och hållet om du vill ändra på pedalhöjden. Om du vill ändra på pedalkvarten behöver du bara lossa på skruvarna.

2. Flytta pedalen till önskad höjd och vinkel när du lossat/tagit bort skruvarna. Sätt pedalexeln i det nedre hålet i pedalen, om du vill ha pedalen i det ÖVRE läget.



3. Sätt tillbaka och/eller dra åt skruvarna på pedalen.



Om skruvarna inte är tillräckligt hårt åtdragna griper pedalerna inte tag om axeln och gasreglaget fungerar då inte.

Montering

Installera batteriet (endast Elite)

Batteri ingår inte i LazyLiner Elite. Du måste köpa ett batteri separat innan du kan använda elstarten.

1. I bruksanvisningen för Honda-motorn, som medföljer leveransen av LazyLiner, finns specifikationer om lämpligt batteri.
2. Under det inställbara sätet sitter en bult som håller fast batterifästet i ramen. Lossa på bulten.
3. Montera batteriet och koppla in den röda kabeln på den positiva (+) polen och den svarta kabeln på den negativa (-) polen.
4. Placera batterifästet mot batterisidan. Dra åt bultfästet.

Montera trailerdragkroken

1. Montera trailerdragkroken på linjemålningsutrustningens baksida. I leveransen av LazyLiner ingår separata instruktioner. Läs dem.
2. Lyft upp låsspaken på LazyLiners kopplingsfäste och placera den över trailerdragkroken. Häng på LazyLiner:n på linjemålningsutrustningen och se till att dragkroken låses fast. Säkra dragkroken med bult och sprint.

Checklista för drift

Genomför följande åtgärder före drift:

1. Kontrollera åter att alla komponenter är korrekt installerade så att säker drift garanteras
2. Kontrollera motoroljan.
3. Kontrollera transmissionsoljan.
4. Fyll blyfri bensin i tanken.
5. Kontrollera däcktrycken.

Drift



Läs noga igenom bruksanvisningen för Honda-motorer innan du tar utrustningen i drift.

1. Kontrollera oljenivån. I den medföljande motormanualen finns rekommendationer om oljenivå och service. Motorn levereras normalt förtestad och fylld med olja från fabriken.
2. Kontrollera transmissionsoljenivån i enheten genom att först ta bort påfyllningslocket på hydraultanken. Oljan ska nå upp till en nivå som ligger 2 till 2,5 cm under tankens ovankant.



Attention

Använd alltid Mobil 1™, 15W50 helsyntetisk olja om du behöver byta eller fylla på. Använd aldrig "hydraulolja" i systemet.

3. Ta bort bensintankslocket och fyll upp med blyfri bensin. Kolla att bränslekranen är i öppet läge. Sätt tillbaka bensintankslocket.
4. Sätt dig på LazyLiner:n eller aktivera parkeringsbromsen.
5. Starta motorn:
 - a. Aktivera parkeringsbromsen (se fig. 1, pos. 2) Tryck spaken framåt för att aktivera parkeringsbromsen.
 - b. Öppna bränsleventilen och stäng choken (samma på elstarts- respektive dragstartsenheten)
 - c. Ställ in full gas och motorventilen på ON (om du har en dragstartsenhet)
 - d. Dra i starthandtaget eller aktivera nyckelomkopplaren
 - e. När motorn startat, öppna choken och ställ in gasen på önskat läge.



Du kan inte starta LazyLiner-enheten förrän du aktiverat parkeringsbromsen eller satt dig i sätet. Säkerhetssystemet förhindrar att motorn startar om du inte uppfyllt några av dessa villkor.

6. Lossa på länkhjulet genom att trycka in handtagen.
7. Manövrera pedalerna efter behov för rörelseriktning framåt (tårna nedåt) eller bakåt (hälen nedåt). Sväng genom att använda linjemålningsenheten och lossa på länkhjulet.
8. Du uppnår önskad hastighet med LazyLiner (0-16 km/tim framåt och 0-11 km/tim bakåt) genom att trycka ner pedalerna mer eller mindre.

Enheten stoppar helt (snabbt) när du låter pedalerna återgå till mitt- eller neutralläget. Hydraultrycket skapar stopp- eller bromsfunktionen.



Om LazyLiner:n inte rör sig, så måste du dra åt aktiveringsventilen för hydrauliken (se figur 4, pos. 34). Vrid 1/2 till 1 varv medurs tills den är åtdragen för att aktivera drivanordningen.



Dra ALLTID åt parkeringsbromsen när du inte kör eller sitter på LazyLiner:n.

Underhåll

Nedan anges vilken typ av underhåll som ska genomföras på din LazyLiner vid vissa användningsintervall.



I bruksanvisningen för Honda-motorer finns ytterligare information om underhåll och skötsel av motorn.

Dagligen:

- Kontrollera oljenivån och fyll på vid behov.
- Kontrollera hydrauloljenivån i transmissionstanken och fyll på vid behov. Byt olja och filter efter 650-700 timmars drifttid.
- Kontrollera och fyll upp bensintanken med vanlig blyfri bensin.
- Kontrollera däcken och fyll vid behov på luft till 1,7 bar
- Torka av utrustningen – Använd aldrig en vattenslang för att tvätta.
- Kontrollera och rengör luftrenaren. Byt ut vid behov.

Efter de första 20 timmarna:

- Tappa ur och fyll upp med motorolja av typen SAE 10W-30. API-klass framgår av tillverkarens specifikationer.

Varje vecka:

- Klicka på lite fett i det område inne i dragkroken som förs över kulan.
- Kontrollera att alla komponenter är hela. Dra åt alla lösa bultar och muttrar.

Var 50:e timme:

- Byt ut tändstift
- Inspektera systemet med avseende på oljeläckage från drivenheten.

Var 100:e timme:

- Spreja kedjan med torrt kedjespray avsett för motorcyklar.
- Smörj axellagren – Fett typ moly, två tag med fettsprutan. Torka av överskottsfett på lagren.
- Tappa ur och fyll upp med motorolja av typen SAE 10W-30. API-klass framgår av tillverkarens specifikationer.
- Kontrollera nivån i transmissionstanken och fyll på vid behov.
- Kontrollera kedjespänningen och återställ vid behov tomgångsdrevets spänning. Ta bort transmissionslocket och kontrollera drivremmen. Spänn vid behov.
- Använd tryckluft för att avlägsna smutsansamlingar innanför locket.
- Byt plats på däcken, så att de slits jämnare och uppnår längre livslängd. Eftersom däcken slits, måste du justera bromsen så att den bibehåller god kontakt med däcken. Lossa på de två 3/8" (9,5 mm) bultarna som håller fast bromsen mot ramen. Slå lätt bakåt på bromsstången, så att den rör sig 1/8 till 1/4 tum (3 - 6 mm) mot bakkdelen på LazyLiner:n. Dra åt bultarna igen.

Åtgärder vid funktionsstörningar

Störningstyp	Möjlig orsak	Åtgärd för att avhjälpa felet
A. Motorn startar inte	<ol style="list-style-type: none"> Motorn är AVSTÄNGD, bensin saknas eller oljenivån är för låg. Urladdat batteri Parkeringsbromsen är inte aktiverad. Ingen i förarsätet, sensorn har inte löst ut 	<ol style="list-style-type: none"> Se motormanualen. Dra i startrepet Aktivera parkeringsbromsen Sätt dig i förarsätet
B. Motorn rusar eller stannar under drift	<ol style="list-style-type: none"> Slitna gasreglage 	<ol style="list-style-type: none"> Se motormanualen.
C. Motorn går, men LazyLiner rör sig varken framåt eller bakåt.	<ol style="list-style-type: none"> För låg nivå i hydrauloljetanken. Gaspedalen är felaktigt inställd. Ändarna på anslutningsstången på pedalaxeln är lösa. Parkeringsbromsen är aktiverad. Aktiveringsventilen för hydrauliken är öppen. 	<ol style="list-style-type: none"> Fyll på hydraulolja. Dra åt inställningsskruvarna på pedalaxeln. Kontrollera att ändarna på anslutningsstången (se figur 6, pos. 40) sitter fast i pedalaxeln. Lossa på parkeringsbromsen. Stäng aktiveringsventilen för hydrauliken.
D. Motorn går, LazyLiner rör sig långsamt framåt eller bakåt.	<ol style="list-style-type: none"> För låg nivå i hydrauloljetanken. Gaspedalen är felaktigt inställd. Ändarna på anslutningsstången på pedalaxeln är lösa. Parkeringsbromsen är aktiverad. Aktiveringsventilen för hydrauliken är öppen. 	<ol style="list-style-type: none"> Fyll på hydraulolja. Dra åt inställningsskruvarna på pedalaxeln. Kontrollera att ändarna på anslutningsstången (se figur 6, pos. 40) sitter fast i pedalaxeln. Lossa på parkeringsbromsen. Stäng aktiveringsventilen för hydrauliken.
E. Parkeringsbromsaen är aktiverad men motorn fortsätter att gå när du kliver av LazyLiner:n.	<ol style="list-style-type: none"> Felaktig säkerhetsbrytare. Parkeringsbromsen tar inte på däcken. 	<ol style="list-style-type: none"> Kontakta Titans kundtjänst. Justera parkeringsbromsen enligt underhållsinstruktionerna (se den sista punkten under "Var 100:e timme" på föregående sida).
F. Motorn missar mellan varven och framåt respektive bakåt växlas.	<ol style="list-style-type: none"> För låg motoroljenivå. 	<ol style="list-style-type: none"> Fyll upp till korrekt oljenivå.
G. Motorn går en kort tid och stannar sedan.	<ol style="list-style-type: none"> Stopp i bränsletillförseln. 	<ol style="list-style-type: none"> Se motormanualen.
H. LazyLiner stil moves after parking brake set.	<ol style="list-style-type: none"> Parkeringsbromsen tar inte på däcken. 	<ol style="list-style-type: none"> Justera parkeringsbromsen enligt underhållsinstruktionerna (se den sista punkten under "Var 100:e timme" på föregående sida).




Kontakta Titan kundtjänst om problemet inte kan åtgärdas.

目录

安全74
 技术参数75
 零件/控件标识 76-78
 可调舒适功能件79
 设置79
 运行检查清单79
 操作80
 维护80
 故障维修81
 保修101

安全

本手册包含使用设备前必须阅读和理解的信息。读到有下列一种符号的部分时，应特别注意，一定要留意安全措施。必须阅读和遵守Honda电机和您的Titan LazyLiner设备的操作说明书中的所有说明。

	本符号表示存在可能引起重伤或死亡的潜在危险。这是必须遵循的重要安全信息。
	本符号表示可能对您本人或设备造成危险。这是提醒如何防止设备受损或如何避免轻伤根源的重要信息，必须遵循。
	应特别注意的重要信息说明。

使用或维修电气设备：

熟练电工方可进行此类操作。如安装不正确，本公司概不负责。

运输和存储

本设备能耐受-25°C到+55°C的运输和存储温度，在短期内甚至可高达+70°C，或者具有此类温度的保护措施。

为了防止因正常湿度、振动和冲击影响而受损，应进行包装。



运动车辆的危险

粗心和鲁莽行为会导致事故。从车上跌落、撞上行人或物体或者被其他车辆撞击都会导致重伤或死亡。

预防：

- 爬进LazyLiner时，请勿踩前进/倒退踏板。
- 缓慢转弯并将转弯角度限制在45°以下。
- 请勿在大于15°的斜坡上操作。
- 在极度斜坡和倾斜路面上行驶时要小心，以防牵引损失。
- 不得载客。
- 请勿在没有拖车工具的情况下拖车，并限制有效载荷。

- 遵守一切当地公路和运输条例。
- 请勿在没有适当照明的情况下操作设备。
- 只能在干净、坚实的路面上操作设备。



灼伤危险

为防止严重灼伤，请避开发烫的设备或液体。等设备/液体完全冷却后再触摸。
请勿将任何易燃材料（如浸油的抹布）放在电机上。



一氧化碳危险

吸入一氧化碳可能会致死。请勿在密封区域中操作。



个人防护设备

操作或维修设备时应穿戴合适的防护设备，以防重伤：

预防：

- 戴护眼装置
- 穿戴喷涂材料制造商推荐的工作服和呼吸器。
- 穿钢包头鞋子。
- 戴手套。
- 戴护耳装置。



火灾和爆炸危险

工作区域中的易燃烟气（如溶剂和油漆烟气）会点燃或爆炸。



预防：

- 请在通风良好的区域使用设备。
- 请勿在发动机运行或未冷却时加油。
- 存在易燃烟气时，消除一切火源。
- 保持工作区域清洁。
- 如果产生静电火花或者感觉到电击，应立即停止操作。
- 始终在工作区域放置灭火器。



存放

请勿将LazyLiner不加保护地放在露天环境中，必须存放在干燥处。



运输

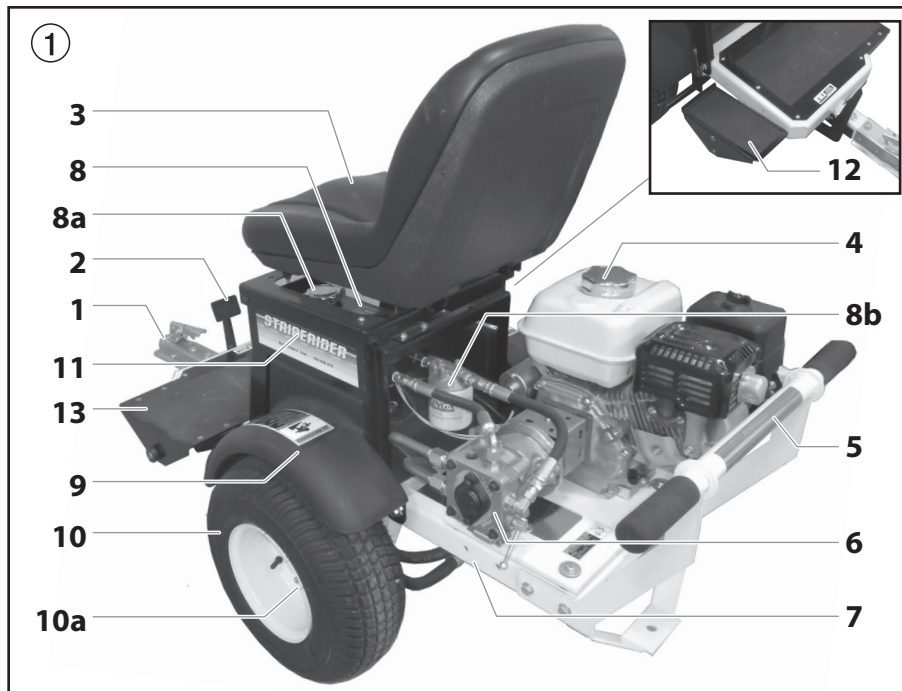
不得将LazyLiner用钩挂在机动的拖车车栓钩上运输。LazyLiner只能在平板拖车或其他运输车辆（如皮卡车）上牢固固定后运输。
挤压危险！LazyLiner装卸需要多人进行。
LazyLiner不能用起重机运输。

技术数据

	LazyLiner Pro	LazyLiner Elite
发动机		
	Honda GX160, 拉绳启动	Honda GX200, 电启动, 16A/200W
机油类型		
	SAE10-30W (0.6 l)	SAE10-30W (0.6 l)
重量		
	118 kg	127 kg
尺寸 (L x W x H, 座位在升起位置)		
	145 cm x 66 cm x 107 cm	157 cm (安装了保险杠) x 74 cm x 107 cm
最大速度		
前进	0-16 KM/h	0-16 KM/h
倒退	0-11 KM/h	0-11 KM/h
声压		
	85 dB*	85 dB*
震动等级 (固定有划线设备)		
	< 2.5 m/s ² (右手和左手)	< 2.5 m/s ² (右手和左手)
最大胎压		
	25 psi (1.7 bar)	25 psi (1.7 bar)
传动装置		
	全钢焊接结构车架和护板, 发动机保护杠和钢挡泥板, 带工业粉末涂层	
传动装置		
	铸铁静液压传动装置, 用于前进和倒退操作	
	一个给油踏板 (前进/倒退)	
	轨道控制传动差速器	
	双排滚链传动装置	
	Mobil 1™ 15W50全合成油 (4夸脱)	
液压系统工作压力		
	2700 psi (186 bar)	2700 psi (186 bar)
工作温度		
	+10° C 到 +40° C (+50°F 到 +104°F)	
相对湿度		
	+40° C (+104° F)时50% (在较低温度下, 较高的相对湿度不会产生问题。)	
工作海拔		
	最大海拔3000米 (9843英尺)	
驻车制动器		
	手动驻车制动器	
挂钩		
	用于在Titan和Graco划线设备上的安装	
座位		
	豪华高软垫靠背, 可调节舒适控件和安全关闭用的重量传感器	

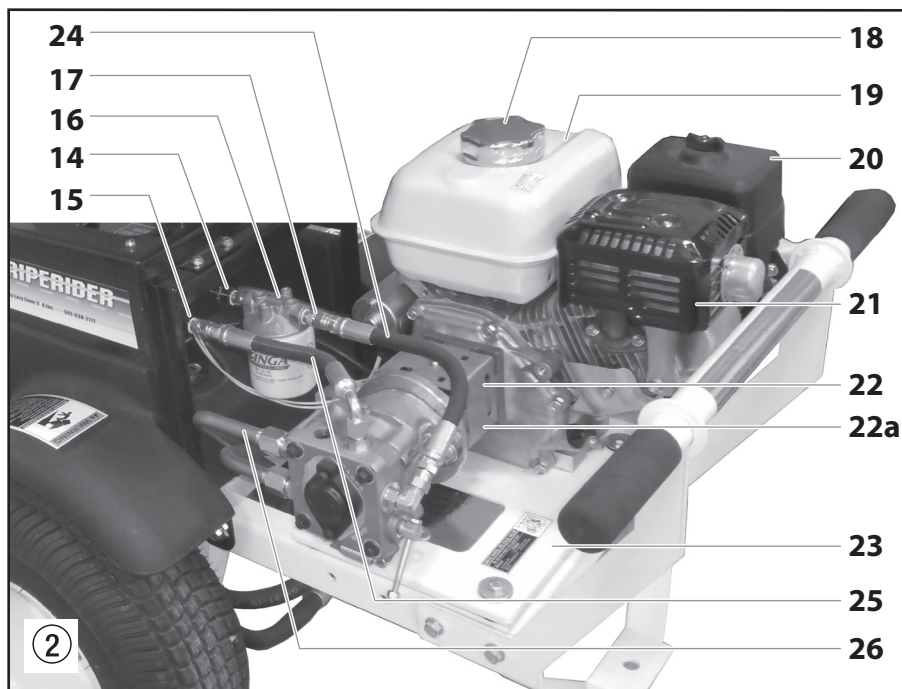
*在座位位置高度处测量。

零件/控件标识



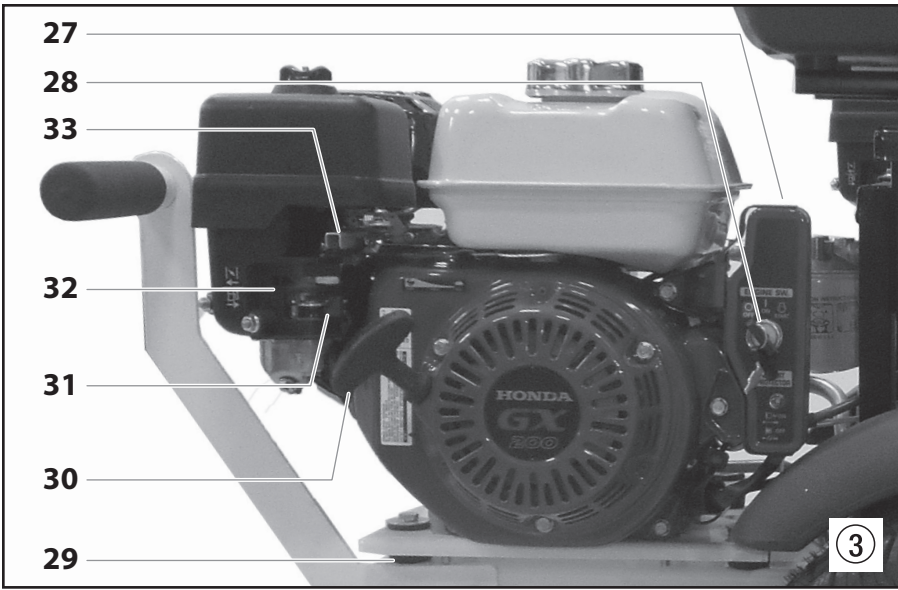
* 2413480 承载托盘 (可选附件, 照片中未显示) 连接到发动机上方的保险杠上。

#	部分 #	描述
1	290647	车钩支架
2	290648	手动刹车杆
3	290675	座位
	290173	座位安全开关 (未显示)
4	0537547A	发动机 (所示为GX200电启动, Elite)
	980-331A	发动机 (仅GX160, Pro)
5	2423493	保险杠, Honda (仅Pro)
	0290646Z	保险杠, Subaru (仅Pro)
6	290649	液压BDP泵
7	290650	主车架
8	290652	液压油箱, 4夸脱
	a 290678	液压油箱盖
	b 290679	液压油过滤器
9	-----	挡泥板
10	290676	车轮总成, Elite (2)
	290677	车轮总成, Pro (2)
a	290682	轮爪螺母 (每轮4个)
11	290653	座位框架
12	-----	脚踏板
13	290656	抵趾板

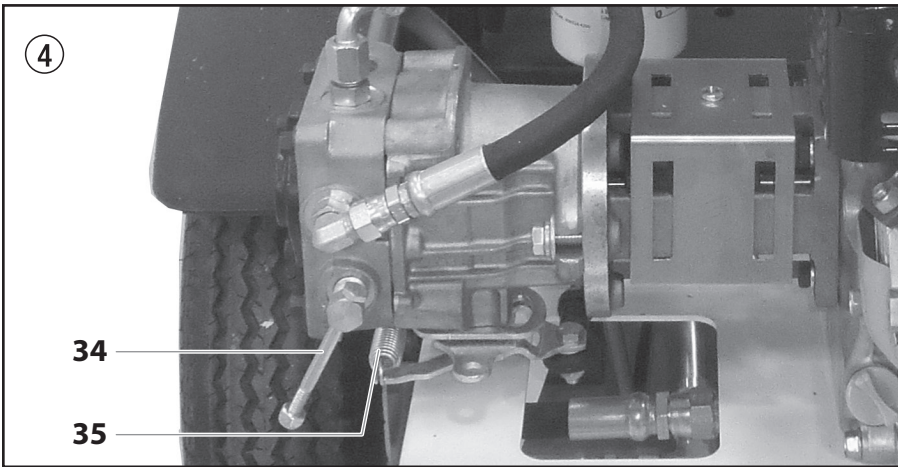


#	部分 #	描述
14	290394	螺纹接头, 1/4" NPT公
15	290396	弯头, 90°
16	290657	机油过滤器和旋转外壳
17	290395	弯头, 90°
18	-----	带气孔的油箱盖
19	-----	油箱
20	-----	空滤器
21	-----	消声器总成
22	290658	铝泵安装架
	a 290659	Love-joy联轴器 (位于项目22内)
23	290660	发动机到车架的安装座, 带8个橡胶隔振衬套
24	290655	从过滤器到泵的液压压力管
25	290661	从BDP泵到油箱的液压回油管
26	290662	从车轮马达软管连接到泵的硬钢管

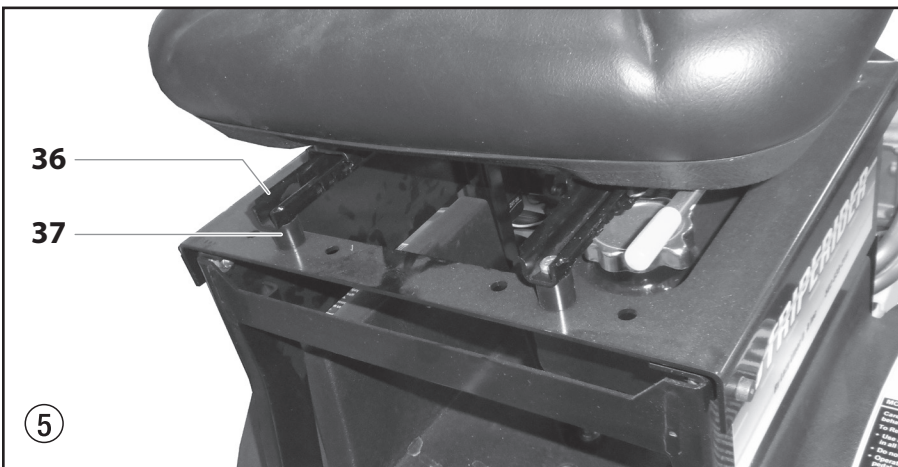
零件/控件标识



#	部分 #	描述
27	-----	磁电机整流器 (仅 Elite)。见发动机手册
28	-----	Elite(7 hp)装置钥匙开关
29	290663	发动机板到车架的橡胶隔振衬套
30	-----	反冲拉绳启动 (Pro和 Elite装置)
31	-----	燃油关闭
32	-----	吸气阀杆
33	-----	发动机油门 (Pro和 Elite装置)

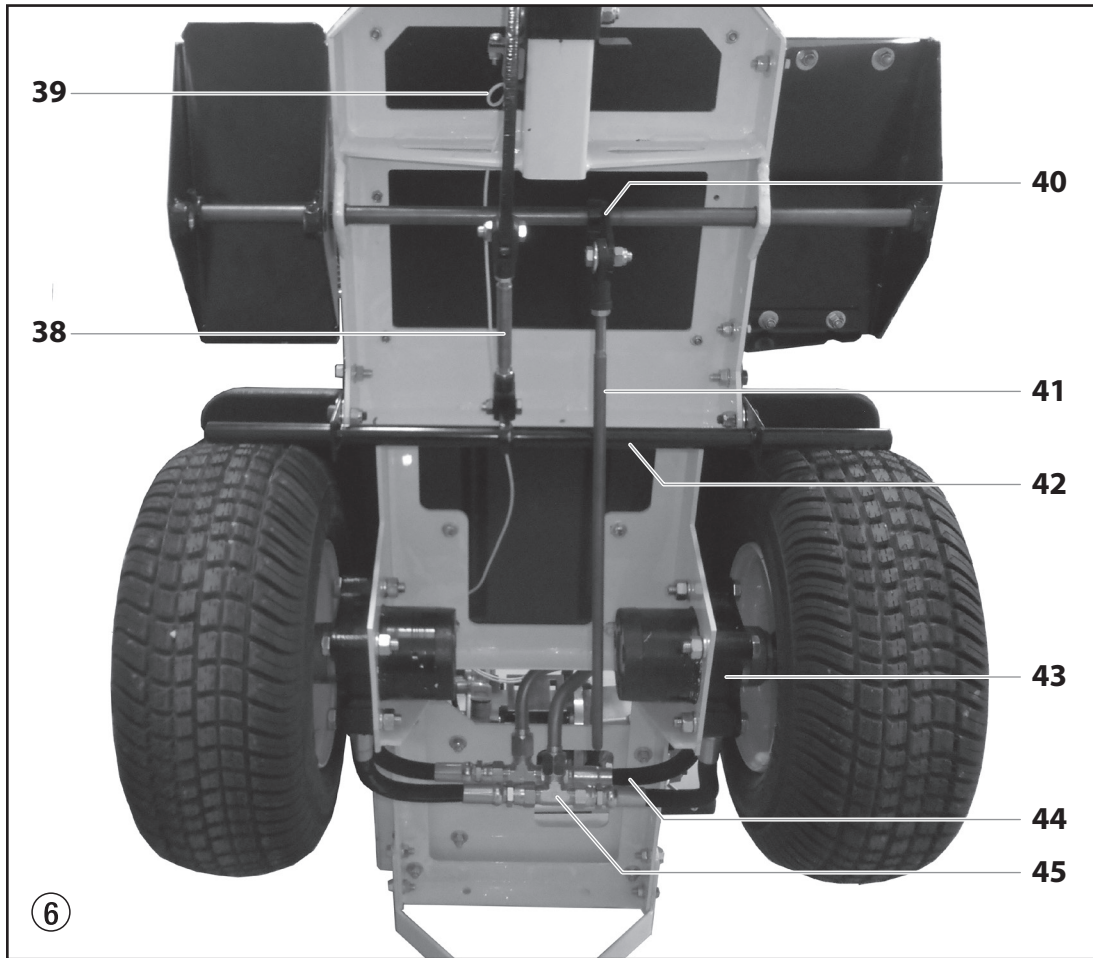


#	部分 #	描述
34	-----	液压释放阀, 旁路。顺时针转动可将液压装置接合到传动装置, 拧松 (逆时针转动半圈到一圈) 可脱开, 空档
35	290665	RTN (返回空档) 弹簧和机构, 连接到车架下面的踏板连杆



#	部分 #	描述
36	290391	座位调节支架 (2)
37	290392	垫片 (4)

零件/控件标识



#	部分 #	描述
38	-----	手动操作驻车制动器系统，接合本系统的项目2的下部分。
39	290680	线束，发动机停机
40	290393	连接杆端头
41	290670	连杆，将踏板轴连接到BDP泵上的RTN，(7/16ths OD)
42	290671	驻车制动器锁定杆
43	290672	双液压驱动轮马达

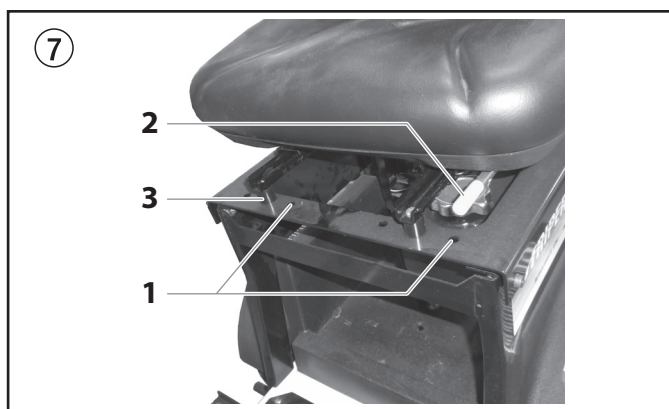
#	部分 #	描述
44	290673	从轮马达连接到泵上硬钢管的液压管，共4个，每个轮马达2个
45	290674	将轮马达管连接到从泵出来的硬钢管的3路T型公接头。
	290681	蓄电池电缆，正极和负极（仅Elite，未显示）。

可调舒适功能件

可调座位

如果需要，您的LazyLiner装置上的座位可以根据具体情况调节和定位，为您提供日常操作的更好舒适度。图7显示了处在右边偏移位置的座位。

1. 要更换座位的左/右位置，拆除座位轨道下面的螺母，将座位轨道对准座位框架中的另一组孔（图7，项目1）。可以将座位定位在左边或右边偏移位置，也可以定位在座位框架的中间位置。
2. 可以用座位左侧下面的手柄（2）前后调整座位。拉起手柄，将向后或向前调整到所需位置。
3. 可以安装或拆卸垫片（3）以调节座椅的向上或向下位置。



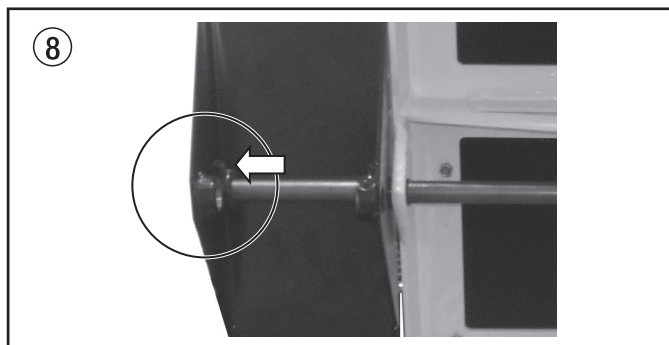
可调式踏板

LazyLiner 上的油门踏板（右踏板）可调整至多种角度，以及上下位置。使用此功能有助于减少脚部与关节疲劳，或提供更多的腿部空间或高度，帮忙您更易踩到踏板。

LazyLiner在出货时踏板位于 DOWN 的位置。

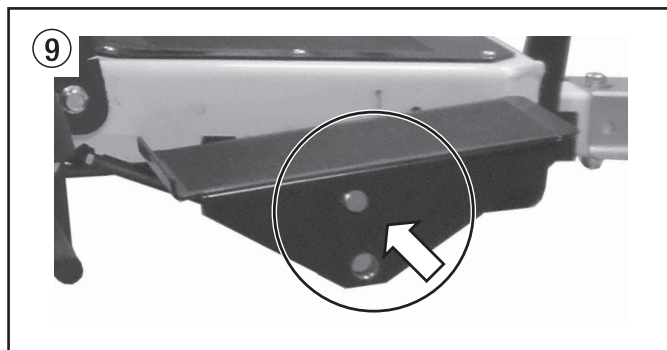
请按照以下步骤调整油门踏板的位置。

1. 找到踏板下面将踏板固定到轴上的两个固定螺丝。用六角扳手松开这两个螺丝。



i 如果计划改变踏板高度，完全拆除固定螺丝。如果只是调整踏板角度而不调整高度，则无需完全拆除固定螺丝，只要松开即可。

2. 松开/拆除固定螺丝后，将踏板重新定位到所需高度和角度。要将踏板调到上部位置，将踏板轴穿过踏板上的底孔。



3. 重新安装并/或拧紧固定螺丝，以固定踏板。

i 如果固定螺丝未充分拧紧，踏板将不与踏板轴紧密结合，油门将不能正常工作。

设置

安装蓄电池（仅ELITE）

LazyLiner Elite不包含蓄电池。为了让电启动工作，使用前必须另行购买蓄电池。

1. 请参阅随LazyLiner提供的Honda发动机手册，以了解合适的蓄电池规格。
2. 在可调座位下面的隔间中，松开将蓄电池托架固定到车架的螺栓。
3. 安装蓄电池，将蓄电池电缆钩到合适的接线端子上：红色接到正（+）接线端子；黑色接到负（-）接线端子。
4. 将蓄电池托架固定到蓄电池侧以将其固定到位。拧紧托架螺栓。

安装拖车栓钩

1. 将拖车栓钩安装到划线设备后面。遵守随LazyLiner提供的单独的说明。
2. 将LazyLiner上的联轴器托架上的锁定杆提起并放在拖车栓钩上方。将LazyLiner吊到划线设备上，确保栓钩啮合。用螺栓固定栓钩并分开。

操作检查清单

按以下步骤复核运行前检查：

1. 重新检查所有部件是否正确安装，以确保安全运行。
2. 检查发动机油。
3. 检查变速箱油。
4. 在油箱中加无铅汽油。
5. 检查胎压。

操作



设备投入运行前，请仔细阅读Honda马达操作说明书中的说明。

1. 检查发动机油油位。关于推荐的机油油位和保养，请参阅所提供的发动机手册。发动机通常在出厂时已经进行过预测试并装好机油。
2. 取下液压油箱顶部的加油盖，检查装置中的变速箱油位。油位应距油箱顶部3/4到1英寸。



注意

If oil is low or if it needs to be changed, always use Mobil 1™, 15W50 full synthetic oil. Never use "hydraulic oil" in the system.

3. 取下汽油盖，加普通无铅汽油，确保燃油关闭杆处在ON位置。重新装上汽油盖。
4. 坐上LazyLiner或拉上驻车制动器。
5. 启动发动机：
 - a. 拉上驻车制动器（见图1，项目2）。向前推手柄可拉上制动器。
 - b. 将燃油门移到打开位置，阻风门至关闭位置（电启动和拉绳启动装置上均相同）
 - c. 将油门设置到高，发动机开关到ON（如果是拉绳启动装置）
 - d. 拉发动机绳或打开钥匙开关
 - e. 发动机启动后，将风门移到运行位置，将油门设置到所需位置。



除非驻车制动器已拉上或操作员坐在座位上，LazyLiner装置不会启动，如果制动器未拉上或操作员不在座位上，安全开关系统将不允许发动机启动。

6. 握紧车把并挤压使脚轮松开。
7. 根据需要以向前运动（脚尖向下）或向后运动（脚跟向下）操作踏板。通过使用划线器和松开脚轮来实现装置的转弯。
8. LazyLiner将通过踩踏板总成的轻重来达到所需速度（0-16 KM/h前进，0-11 KM/h倒退）。一旦您让踏板返回中间或空档位置，装置将（快速）完全停止。由液压压力引起停车或由刹车功能件让装置停止。



如果LazyLiner不动，液压释放阀旁路（见图4，项目34）将需要拧紧。顺时针转半圈到一圈，直到拧紧，以接合驱动器。



不操作或处在LazyLiner上时，一定要拉好驻车制动器。

维护

请阅读以下内容，以了解应该以特定的使用间隔对您的LazyLiner进行哪种维护。



有关发动机保养和技术规范的详细情况，另见汽油发动机手册。

每日：

- 检查机油油位，必要时添加。
- 检查变速箱油位，必要时添加。应当每工作650-700小时更换一次油和滤油器。
- 检查汽油箱，加普通无铅汽油。
- 检查轮胎，如果需要，充气到1.7 bar (25 psi)。
- 擦试设备 – 切勿用水管冲洗。
- 检查和清洁空滤。必要时更换。

前20小时后：

- 放出机油，重新加入SAE 10W-30油。API等级见制造商的技术规格。

每周：

- 向滚珠联轴器滚珠区域中加少量油脂。
- 检查所有零件是否完好。拧紧松动的螺栓或螺母。

每50小时：

- 更换火花塞。
- 检查系统驱动器组件是否漏油。

每100小时：

- 润滑轴承 – 钼型油脂，两油枪泵。擦掉轴承上多余的油脂。
- 放出机油，重新加入SAE 10W-30油。API等级见制造商的技术规格。
- 检查变速箱油槽，必要时加油。
- 检查链条张力，如果需要，重置张紧链轮进行张紧。取下变速箱盖，检查传动皮带。需要时重新张紧。
- 使用气源清除盖子内侧堆积的灰尘。
- 转动轮胎，以得到较均匀的磨损和更长的寿命。当轮胎磨损时，将需要调整制动器总成，以确保与轮胎的良好接触。松开将制动器总成固定到车架的两个3/8”螺母。将制动器总成底座向装置尾部方向敲1/8到1/4英寸。重新拧紧螺栓。

故障维修

故障类型	可能原因	故障排除措施
A. 发动机不启动	<ol style="list-style-type: none"> 1. 发动机开关关闭，无汽油或机油油位低。 2. 蓄电池没电。 3. 未拉驻车制动器。 4. 驾驶室座位上无人，传感器未触发。 	<ol style="list-style-type: none"> 1. 查看发动机手册。 2. 拉下启动器绳。 3. 拉上驻车制动器。 4. 坐在驾驶员座位上
B. 发动机运行期间快速冲到高转速或失速	<ol style="list-style-type: none"> 1. 油门杆、调速器磨损 	<ol style="list-style-type: none"> 1. 查看发动机手册。
C. 发动机运行，LazyLiner不向前或向后运动。	<ol style="list-style-type: none"> 1. 液压油油位低。 2. 给油踏板调节不正确。 3. 双踏板横轴上的连接杆端头松动。 4. 拉下驻车制动器。 5. 液压释放阀旁路打开。 	<ol style="list-style-type: none"> 1. 加液压油。 2. 拧紧踏板下面的固定螺丝，以固定到踏板轴上。 3. 确保连接杆端头（见图6，项目40）被固定在双踏板横轴上。 4. 松开驻车制动器。 5. 关闭液压释放阀旁路。
D. 发动机运行，LazyLiner缓慢地向前或向后运动。	<ol style="list-style-type: none"> 1. 液压油油位低。 2. 给油踏板调节不正确。 3. 双踏板横轴上的连接杆端头松动。 4. 拉下驻车制动器。 5. 液压释放阀旁路打开。 	<ol style="list-style-type: none"> 1. 加液压油。 2. 拧紧踏板下面的固定螺丝，以固定到踏板轴上。 3. 确保连接杆端头（见图6，项目40）被固定在双踏板横轴上。 4. 松开驻车制动器。 5. 关闭液压释放阀旁路。
E. 拉了驻车制动器，当操作员走出LazyLiner时发动机继续运转。	<ol style="list-style-type: none"> 1. 安全开关故障。 2. 驻车制动器与轮胎不切合。 	<ol style="list-style-type: none"> 1. 联系Titan客服部门。 2. 按照维护说明书调整驻车制动器（见上页最后一节“每100小时”）。
F. 转弯和前后换向期间发动机熄火。	<ol style="list-style-type: none"> 1. 机油油位低。 	<ol style="list-style-type: none"> 1. 加油至正确油位。
G. 发动机运行一会儿后停止。	<ol style="list-style-type: none"> 1. 燃油流量限制。 	<ol style="list-style-type: none"> 1. 查看发动机手册。
H. LazyLiner在拉了驻车制动器后仍运动。	<ol style="list-style-type: none"> 1. 驻车制动器与轮胎不切合。 	<ol style="list-style-type: none"> 1. 按照维护说明书调整驻车制动器（见上页最后一节“每100小时”）。

如果在执行完这些步骤后仍然存在问题，请拨打1-800-526-5362联系Titan技术服务部。

Содержание

Техника безопасности.....	82
Технические характеристики	83
Идентификация деталей/органов управления	84-86
Регулировка функций комфорта.....	87
Настройка	87
Контрольный список перед началом эксплуатации.....	87
Эксплуатация.....	88
Техобслуживание	88
Способы устранения неисправностей	89
Гарантия	101

Техника безопасности

В настоящем руководстве приведена информация, с которой необходимо ознакомиться и которую необходимо усвоить перед началом использования оборудования. Если какая-либо часть текста руководства выделена одним из приведенных ниже символов, необходимо изучить ее с особым вниманием и точно соблюдать меры предосторожности.

Необходимо обязательно прочитать и обеспечить выполнение всех инструкций, приведенных в руководстве по эксплуатации двигателей Honda и в руководстве по эксплуатации оборудования Titan LazyLiner.

	Этот символ указывает на потенциальную опасность, способную вызвать серьезные повреждения или даже потерю жизни. Далее последует важная информация.
	Символ указывает на потенциальную опасность для вас или для вашего оборудования. Важная информация, сообщающая, как предотвратить повреждение оборудования или избежать незначительных травм приводится далее.
	Примечания содержат важные данные, на которые необходимо обратить особое внимание.

Работы или ремонт, которые выполняются на оборудовании:

Эти работы должны быть выполнены только опытным электриком. Компания Titan не принимает на себя ответственность за неправильную установку оборудования.

Транспортировка и хранение

Данное оборудование выдержит, или оно было защищено от воздействия при транспортировке или хранении при температурах от - 25°C до + 55°C, в течение короткого периода –до +70°C.

Оно было упаковано для предотвращения повреждения от действия нормального уровня влажности, вибрации и ударов.



ОПАСНОСТЬ ДВИЖУЩИХСЯ ТРАНСПОРТНЫХ СРЕДСТВ
Неосторожное и безответственное поведение является причиной травм и несчастных случаев. Падение с транспортного средства, наезд на людей или препятствия или столкновение с другими транспортными средствами могут привести к серьезным травмам или смертельному исходу.

МЕРЫ ПРЕДОСТОРОЖНОСТИ:

- При посадке в LazyLiner запрещается наступать на педаль переднего/заднего хода.
- Снижайте скорость в поворотах и старайтесь не превышать угол поворота 45°.
- Запрещается работать на склонах с уклоном более 15°.
- Соблюдайте осторожность при движении по крутым спускам и дорожным уклонам для предотвращения потери сцепления колес с дорогой.
- Запрещается перевозить пассажиров.
- Запрещается выполнять буксировку без сцепного устройства и с превышением нагрузки.

- Соблюдайте все местные правила дорожного движения и правила перевозки.
- Запрещается эксплуатировать оборудование в условиях недостаточного освещения.
- Эксплуатация разрешена только на чистых и твердых поверхностях.



ОПАСНОСТЬ ОЖОГА

Во избежание сильных ожогов соблюдайте осторожность при работе с горячим оборудованием или жидкостями. Дождитесь, пока оборудование/жидкость полностью остынет.
Не допускать контакта с двигателем любых легковоспламеняющихся материалов (например, пропитанной маслом ветоши).



ОПАСНОСТЬ ВОЗДЕЙСТВИЯ УГАРНОГО ГАЗА

Вдыхание угарного газа может привести к смертельному исходу. Запрещается эксплуатация оборудования в замкнутых пространствах.



СРЕДСТВА ИНДИВИДУАЛЬНОЙ ЗАЩИТЫ

Во время эксплуатации или обслуживания оборудования необходимо использовать соответствующие средства защиты, которые могут обеспечить защиту от серьезных травм.

МЕРЫ ПРЕДОСТОРОЖНОСТИ:

- Используйте средства защиты глаз.
- Используйте одежду и средства защиты органов дыхания, рекомендованные производителем распыляемого материала.
- Надевайте обувь со стальными подносками.
- Надевайте защитные перчатки.
- Используйте средства защиты органов слуха.



ОПАСНОСТЬ ПОЖАРА И ВЗРЫВА

В рабочей зоне возможны воспламенение или взрыв воспламеняемых паров, например паров растворителя или краски.



МЕРЫ ПРЕДОСТОРОЖНОСТИ:

- Используйте оборудование в местах с хорошей вентиляцией.
- Запрещается заполнять бак топливом при работающем или горячем двигателе.
- При наличии воспламеняемых паров устранили все источники воспламенения.
- Удалите мусор из рабочей зоны.
- Если имеют место разряды статического электричества или вы почувствовали удар электрического тока, немедленно прекратите работу.
- Обеспечьте наличие огнетушителя в рабочей зоне.



ХРАНЕНИЕ

Запрещается оставлять LazyLiner на открытых площадках вне укрытия. Обеспечьте хранение в сухом месте.



ПЕРЕВОЗКА

Запрещается перевозить LazyLiner путем присоединения к сцепному устройству транспортного средства. Перевозка LazyLiner должна осуществляться исключительно на прицепе-платформе или другом средстве транспортировки (например, в кузове пикапа) при условии надежной фиксации.

Опасность защемления! Для погрузки и разгрузки LazyLiner требуется несколько человек.

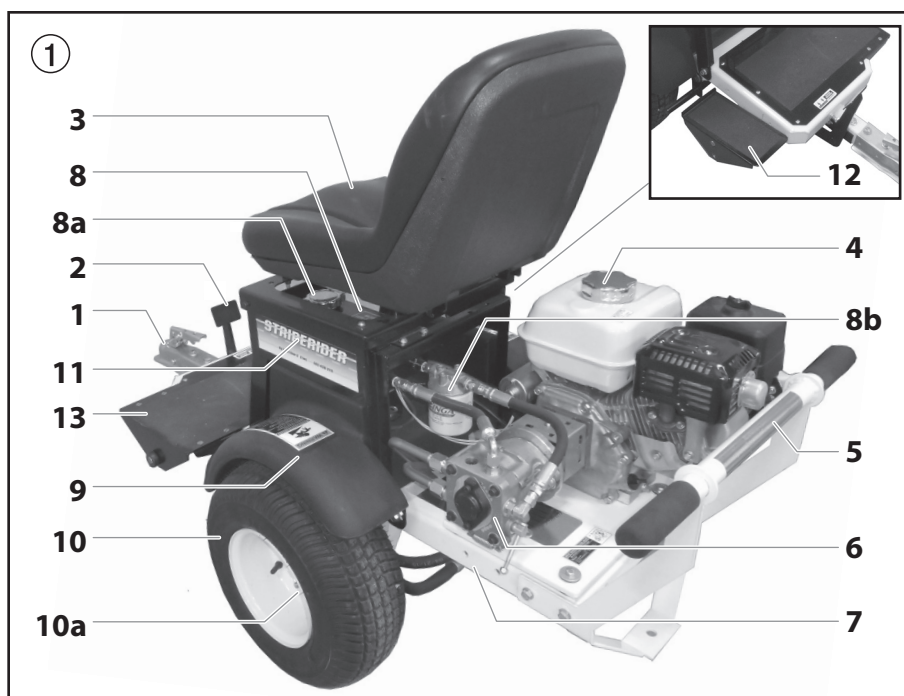
Запрещается осуществлять транспортировку LazyLiner с помощью крана.

Технические характеристики

	LazyLiner Pro	LazyLiner Elite
Двигатель		
	Honda GX160, ручной стартер	Honda GX200, электростартер, 16 А/200 Вт
Тип моторного масла		
	SAE10-30W (0,6 л)	SAE10-30W (0,6 л)
Масса		
	118 кг	127 кг
Габаритные размеры (Д x Ш x В, сиденье в поднятом положении)		
	145 x 66 x 107 см	157 (с установленной балкой бампера) x 74 x 107 см
Maximum speed		
Передний ход	0–16 км/ч	0–16 км/ч
Задний ход	0–11 км/ч	0–11 км/ч
Звуковое давление		
	85 дБ *	85 дБ *
Уровень вибраций (при подключенном оборудовании для нанесения полос)		
	< 2,5 м/с ² (справа и слева)	< 2,5 м/с ² (справа и слева)
Макс. давление в шинах		
	25 фунтов/кв. дюйм (1,7 бар)	25 фунтов/кв. дюйм (1,7 бар)
Конструкция	Полностью стальная сварная рама и ограждения, балка защиты двигателя и стальные крылья с промышленным порошковым покрытием	
Привод	Гидростатическая трансмиссия с чугунным корпусом, обеспечивающая движение передним и задним ходом Одна педаль акселератора (передний/задний ход) Дифференциал для распределения момента между колесами Привод двухрядной цепи Полностью синтетическое масло Mobil 1™ 15W50 (4 кварты)	
Рабочее давление в гидравлической системе		
	2700 фунтов/кв. дюйм (186 бар)	2700 фунтов/кв. дюйм (186 бар)
Рабочая температура	От +10 до +40°C (от +50 до +104°F)	
Относительная влажность	50 % при +40°C (+104°F) (более высокие значения относительной влажности не являются проблемой при более низких температурах.)	
Эксплуатационная высота над уровнем моря	Макс. 3000 м (9843 фута) над уровнем моря	
Стояночный тормоз	Ручной стояночный тормоз	
Сцепное устройство	Для установки на оборудование Titan и Graco для нанесения полос	
Сиденье	Модификация Deluxe, с высокой спинкой с обивкой, регулировкой положения сиденья и датчиком присутствия оператора для защитного отключения	

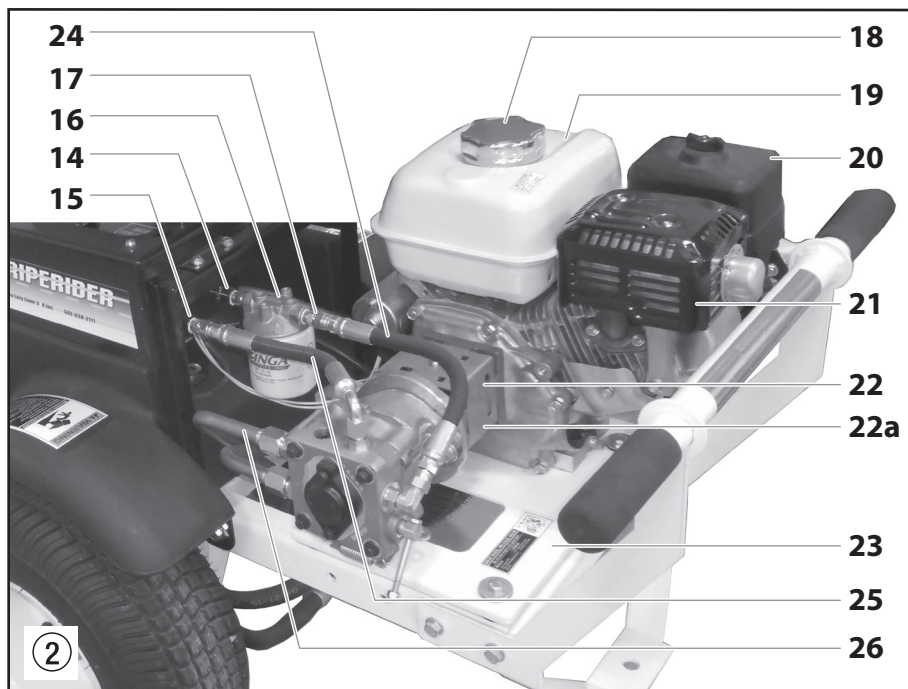
* Значение измерено на высоте положения сиденья.

Идентификация деталей/органов управления



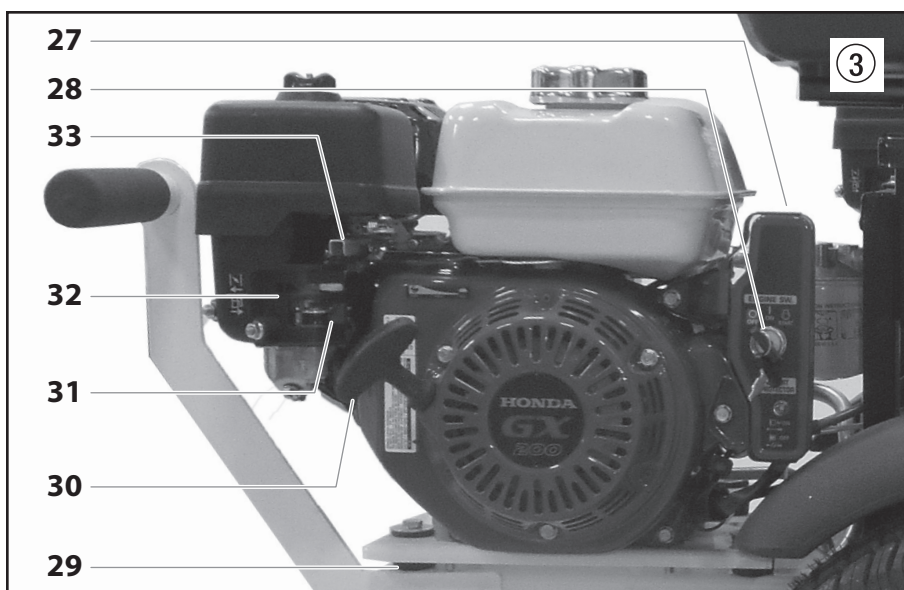
*	2413480	Несущая полка (дополнительная принадлежность, не показана на фотографии) крепится к бамперу над двигателем.
---	---------	---

#	часть #	Описание
1	290647	Кронштейн сцепки
2	290648	Рычаг ручного тормоза
3	290675	Сиденье
	290173	Защитный выключатель сиденья (не показан)
4	0537547A	Двигатель (показан двигатель GX200, электростартером)
	980-331A	Двигатель (GX160, только модификация Pro)
5	2423493	Балка бампера, Honda (только модификация Pro)
	0290646Z	Балка бампера, Subaru (только модификация Pro)
6	290649	Гидравлический насос BDP
7	290650	Главная рама
8	290652	Гидравлический бак, 4 кварты
	a	290678
b	290679	Гидравлический фильтр
9	-----	Крыло
10	290676	Колесо в сборе, модификация Elite (2)
	290677	Колесо в сборе, модификация Pro (2)
a	290682	Колесные гайки (по 4 шт. на колесо)
11	290653	Рама сиденья
12	-----	Ножная педаль

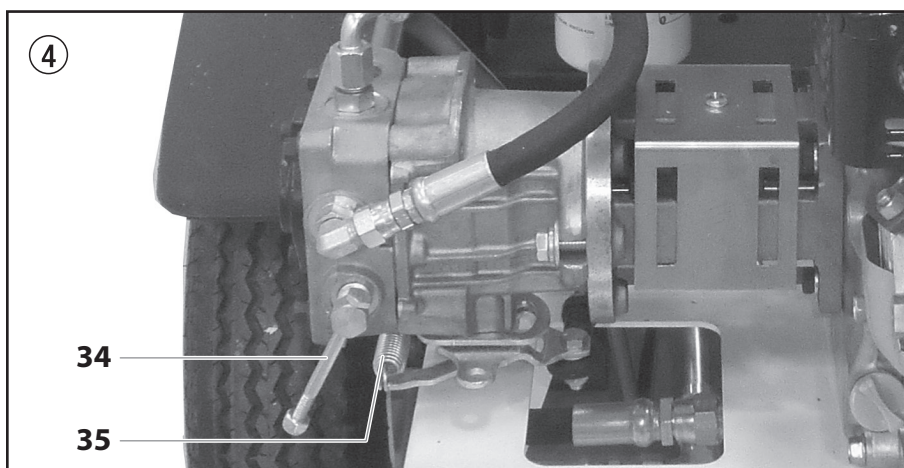


#	часть #	Описание
13	290656	Опора для ног
14	290394	Штуцер с наружной резьбой, 1/4" NPT (национальная трубная резьба США)
15	290396	Колено, 90°
16	290657	Масляный фильтр с навинчиваемым корпусом
17	290395	Колено, 90°
18	-----	Вентилируемая крышка топливного бака
19	-----	Топливный бак
20	-----	Воздушный фильтр
21	-----	Глушитель в сборе
22	290658	Алюминиевый корпус крепления насоса
	a	290659
23	290660	Крепление двигателя к раме, с 8 резиновыми виброизолирующими втулками
24	290655	Напорная гидравлическая магистраль от фильтра к насосу
25	290661	Возвратная гидравлическая магистраль от насоса BDP к баку
26	290662	Стальные магистрали, соединяющие шланги колесных гидромоторов с насосом

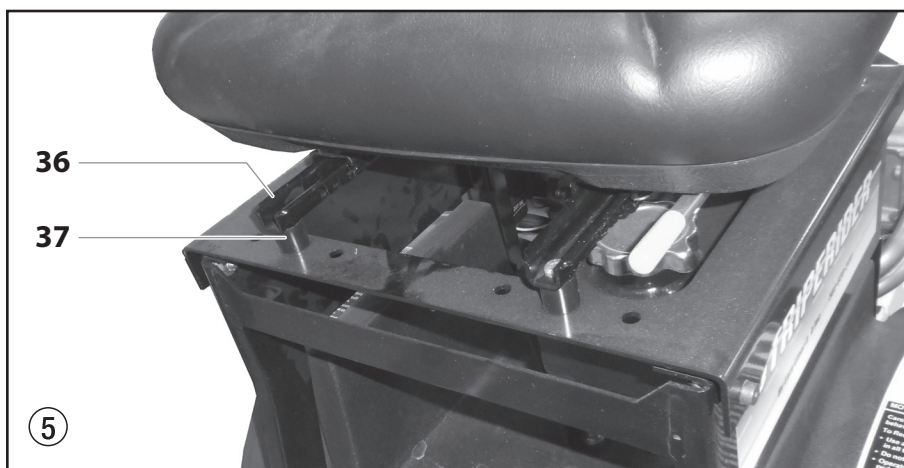
Идентификация деталей/органов управления



#	часть #	Описание
27	-----	Выпрямитель для генератора на постоянных магнитах (только модификация Elite). См. руководство по двигателю.
28	-----	Переключатель с ключом для модификации Elite (7 л. с.)
29	290663	Резиновые виброизолирующие втулки между пластиной двигателя и рамой
30	-----	Ручной стартер с функцией втягивания (модификации Pro и Elite)
31	-----	Отключение подачи топлива
32	-----	Рычаг дросселирования
33	-----	Дроссельная заслонка двигателя (модификация Pro и Elite)

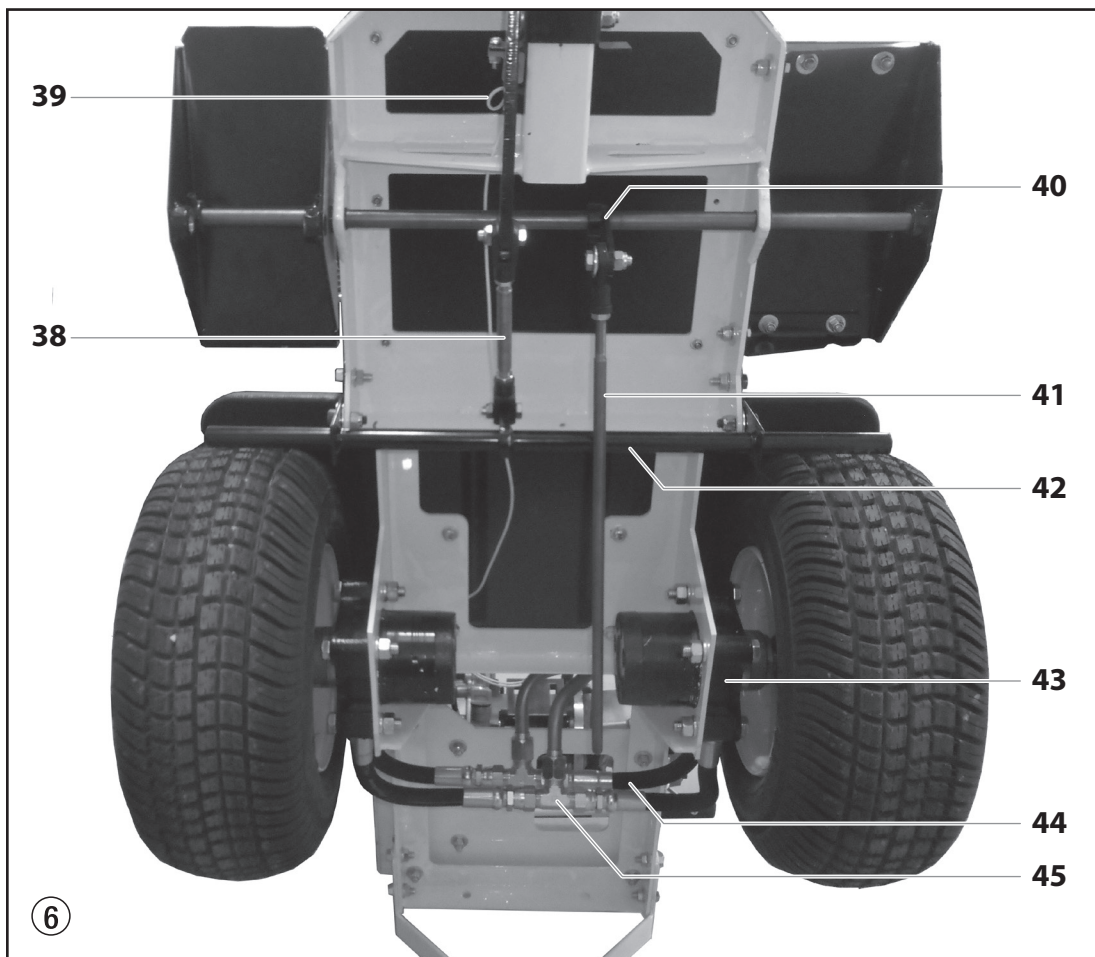


#	часть #	Описание
34	-----	Гидравлический клапан сброса давления, байпас. Поверните по часовой стрелке для включения ходовой гидравлической системы; ослабьте (поверните против часовой на 1/2–1 оборот) для отключения, нейтральное положение.
35	290665	Пружина и механизм RTN (возврата в нейтральное положение) соединены под рамой с тягой педали.



#	часть #	Описание
36	290391	Кронштейн (2) регулировки сиденья
37	290392	Проставка (4)

Идентификация деталей/органов управления



#	часть #	Описание
38	-----	Ручной стояночный тормоз, нижняя часть поз. 2, которая обеспечивает включение данной системы
39	290680	Жгут проводов, остановка двигателя
40	290393	Концы соединительной штанги
41	290670	Соединительная тяга, с помощью которой вал педалей подсоединяется к RTN на насосе BDP, (нар. диам. 7/16)
42	290671	Запорная планка стояночного тормоза
43	290672	Два гидромотора привода колес

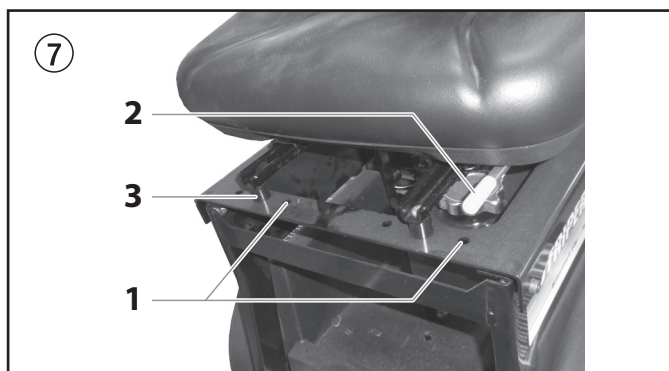
#	часть #	Описание
44	290673	Гидравлические магистрали, соединяющие колесные гидромоторы со стальными магистралями на насосе, 4 в сумме, по две на каждый гидромотор
45	290674	Тройники с наружной резьбой для подключения магистралей колесных гидромоторов к стальным магистралям от насоса
	290681	Кабели аккумуляторной батареи, положительный и отрицательный (только модификация Elite, не показаны)

Регулировка положений сиденья

Регулируемое сиденье

Сиденье LazyLiner можно отрегулировать и расположить таким образом, чтобы обеспечить максимальный комфорт во время ежедневной эксплуатации. На рис. 7 показано сиденье в смещенном вправо положении.

1. Для перемещения сиденья влево/вправо отвернуть гайки под салазками сиденья и переместить салазки в другой комплект отверстий (рис. 7, поз. 1) на раме сиденья. Сиденье можно установить со смещением влево/вправо или посередине рамы.
2. С помощью рычага (2), расположенного под сиденьем с левой стороны, его можно перемещать вперед и назад. Потяните за рычаг и переместите сиденье в требуемое положение вперед или назад.
3. Проставки (3) можно установить или снять, чтобы отрегулировать сиденье вверх или вниз.



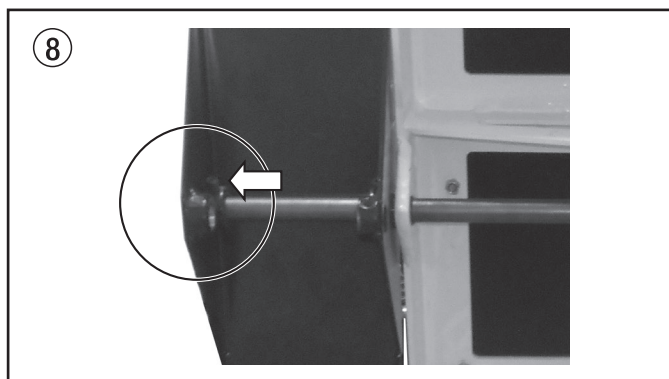
Регулируемая педаль

Педаль акселератора (правая) LazyLiner может быть установлена под разными углами, а также в верхнее или нижнее положение. Эти регулировки позволят снизить усталость ноги и голенистопа, немного увеличить пространство для ног или сделать доступ к педали удобнее.

По умолчанию LazyLiner поставляется с педалью, установленной в НИЖНЕЕ положение.

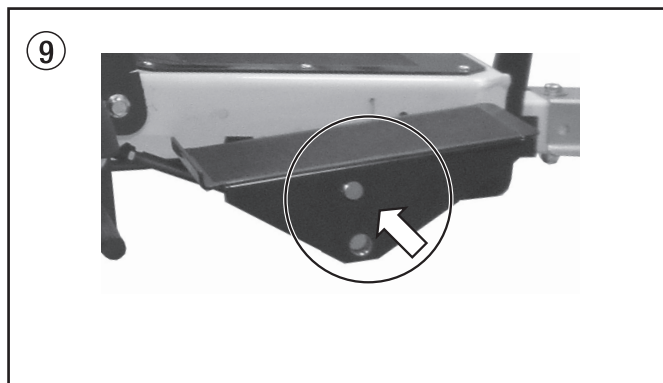
Для регулировки положения педали выполните следующие действия.

1. Найдите два установочных винта под педалью, которые крепят педаль на валу. Ослабьте указанные установочные винты с помощью шестигранного ключа.



Если планируется изменять высоту педалей, то следует полностью снять установочные винты. Если планируется изменить только угол педали, но не изменять высоту, необходимо только ослабить установочные винты, но не снимать их полностью.

2. Когда установочные винты ослаблены/сняты, переместите педаль в требуемое угловое положение и положение по высоте. Чтобы переместить педаль в верхнее положение, установите вал педали в нижнее отверстие на педали.



3. Установите на место и/или затяните установочные винты, чтобы зафиксировать педаль.



Если установочные винты затянуты недостаточно, педали не соединятся с валом и дроссельная заслонка будет работать неправильно.

Настройка

Установка аккумуляторной батареи (только модификация Elite)

Комплект поставки LazyLiner модификации Elite не включает аккумуляторную батарею. Для использования электрического стартера ее необходимо приобрести отдельно.

1. См. руководство по двигателю Honda, поставляемое вместе с LazyLiner, для получения информации о требуемых характеристиках аккумуляторной батареи.
2. В отсеке под регулируемым сиденьем ослабьте болт крепления кронштейна аккумуляторной батареи к раме.
3. Установите аккумуляторную батарею и подключите кабели к соответствующим клеммам: красный кабель — к положительной (+) клемме; черный кабель — к отрицательной (-) клемме.
4. Закрепите кронштейн аккумуляторной батареи на боковой поверхности аккумуляторной батареи, чтобы зафиксировать ее по месту. Затяните болт кронштейна.

Установка сцепного устройства

1. Подсоедините сцепное устройство к задней части оборудования для нанесения полос. Соблюдайте требования отдельных инструкций, поставляемых вместе с LazyLiner.
2. Поднимите стопорный рычаг на кронштейне сцепки LazyLiner и поместите его поверх сцепного устройства. Подвесьте LazyLiner на оборудование для нанесения полос и убедитесь, что сцепка вошла в зацепление. Зафиксируйте сцепку с помощью болта и разрезного кольца.

Контрольный список перед началом эксплуатации

Выполните предэксплуатационные проверки следующим образом.

1. Для обеспечения безопасной работы убедитесь, что все компоненты правильно установлены.
2. Проверьте моторное масло.
3. Проверьте трансмиссионное масло.
4. Заправьте топливный бак неэтилированным бензином.
5. Проверьте давление в шинах.

Эксплуатация



Перед вводом оборудования в эксплуатацию внимательно изучите инструкции в руководстве по эксплуатации двигателей Honda.

1. Проверьте уровень моторного масла. Рекомендованный уровень масла и периодичность замены указаны в приложенном руководстве по двигателю. Двигатель обычно проходит предварительное испытание на заводе и поставляется с залитым маслом.
2. Проверьте уровень масла в трансмиссии, для чего необходимо снять заливную крышку с верхней части гидравлического бака. Уровень масла должен составлять 3/4–1 дюйм от верхней части бака.



Если уровень масла ниже нормы или требуется замена масла, всегда необходимо использовать полностью синтетическое масло Mobil 1™ 15W50. Запрещается использовать гидравлического масла в данной системе.

3. Снимите крышку топливного бака и залейте в него обычный неэтилированный бензин. Убедитесь, что рычаг отключения подачи топлива находится во включенном положении. Установите на место крышку бака.
4. Займите место на сиденье LazyLiner или включите стояночный тормоз.
5. Запустите двигатель:
 - A. Включите стояночный тормоз (см. рис. 1, поз. 2). Переведите рычаг вперед для включения тормоза.
 - B. Переведите топливный клапан в открытое положение, а воздушную заслонку — в закрытое (одинаковая процедура для модификаций с ручным стартером и электростартером).
 - B. Установите дроссельную заслонку в положение высоких оборотов и переведите выключатель зажигания двигателя в положение ON (ВКЛ.) (если используется ручной стартер).
 - Г. Потяните трос ручного стартера или выполните запуск при помощи переключателя с ключом.
 - Д. После запуска двигателя переведите рычаг дросселирования в рабочее положение и установите дроссельную заслонку в требуемое положение.



Запуск LazyLiner невозможен, если не включен стояночный тормоз или оператор не находится на сиденье. Если не включен стояночный тормоз или оператор не находится на сиденье, система защитного отключения не позволит запустить двигатель.

6. Возьмитесь за ручки и разблокируйте самоустанавливающиеся колеса.
7. Используйте педали, наклонив их вперед (носком вниз) или назад (пяткой вниз), в зависимости от требуемого направления движения. Поворот осуществляется путем использования устройства для нанесения полос и разблокировки самоустанавливающегося колеса.
8. Скорость движения LazyLiner (0–16 км/ч переднего хода и 0–11 км/ч заднего хода) определяется степенью нажатия педали.
Агрегат полностью остановится (быстро), если отпустить педали для возврата в центральное (нейтральное) положение. Гидравлическое давление создает тормозящее усилие, которое останавливает агрегат.



Если LazyLiner не перемещается, необходимо затянуть байпас гидравлического клапана сброса давления (см. рис. 4, поз. 34). Для включения привода поверните на 1/2–1 оборот по часовой стрелке, пока не возникнет сопротивление.



Когда LazyLiner не эксплуатируется или во время нахождения на нем необходимо ВСЕГДА включать стояночный тормоз.

Техобслуживание

Ознакомьтесь с приведенной ниже информацией, чтоб знать, какие типы техобслуживания должны выполняться на агрегате LazyLiner с предписанной периодичностью.



Для ознакомления с более подробными данными по обслуживанию двигателя и техническим характеристикам, см. отдельное Руководство по эксплуатации бензинового двигателя.

Ежедневно

- Проверьте уровень моторного масла и долийте при необходимости.
- Проверьте уровень трансмиссионного масла в бачке и долийте при необходимости. Масло и фильтр заменяют через каждые 650–700 ч эксплуатации.
- Проверьте топливо в баке и при необходимости долийте неэтилированный бензин.
- Проверьте шины и при необходимости доведите давление в них до 1,7 бар (25 фунтов/кв. дюйм).
- Протрите оборудование. Запрещается использовать для мытья струю воды из шланга.
- Проверьте и очистите воздушный фильтр. Замените при необходимости.

Еженедельно

- Нанесите небольшое количество консистентной смазки на внутреннюю часть шаровой сцепки.
- Проверьте надежность затяжки всех крепежных деталей. Затяните ослабленные болты и гайки.

Каждые 50 часов

- Замените свечу зажигания.
- Проверьте систему на отсутствие утечек масла из привода в сборе.

Каждые 100 часов

- Смажьте подшипники оси. Используйте молибденовую смазку, по два нажатия шприца для смазки в каждый подшипник. Сотрите с подшипников выступившую избыточную смазку.
- Слейте моторное масло. Залейте новое масло SAE 10W-30. См. спецификации производителя для определения класса по API.
- Проверьте уровень в бачке трансмиссионного масла. При необходимости долийте.
- Проверьте натяжение цепи и при необходимости сбросьте натяжение на промежуточных звездочках. Снимите крышку трансмиссии и проверьте приводной ремень. Заново отрегулируйте натяжение при необходимости.
- Для удаления скопившейся внутри крышки пыли используйте сжатый воздух.
- Переставляйте шины, чтобы обеспечить более равномерный износ и более длительный срок службы. По мере износа шин будет требоваться регулировка тормоза в сборе, чтобы обеспечить правильный контакт с шинами. Ослабьте два болта 3/8", которые крепят тормоз в сборе на раме. Легкими ударами сместите тормоз в сборе в сторону задней части на 1/8–1/4 дюйма. Заново затяните болты.

Способы устранения неисправностей

Тип неисправности	Возможные причины	Меры по устранению неисправности
А. Двигатель не запускается.	<ol style="list-style-type: none"> 1. Выключатель зажигания в положении OFF (ВЫКЛ.), отсутствует подача топлива, или низкий уровень масла. 2. Разряжена аккумуляторная батарея. 3. Стояночный тормоз не включен. 4. Не занято сиденья водителя, датчик не срабатывает. 	<ol style="list-style-type: none"> 1. См. руководство по двигателю. 2. Потяните шнур ручного стартера. 3. Включите стояночный тормоз. 4. Сядьте в кресло водителя.
Б. Двигатель разгоняется до высокой частоты вращения или отключается по время работы.	<ol style="list-style-type: none"> 1. Износ рычага дроссельной заслонки, регулятор оборотов. 	<ol style="list-style-type: none"> 1. См. руководство по двигателю.
В. Двигатель работает, но LazyLiner не перемещается ни вперед, ни назад.	<ol style="list-style-type: none"> 1. Низкий уровень гидравлического масла. 2. Неправильная регулировка педали акселератора. 3. Ослабление крепления концов соединительной штанги на поперечном валу сдвоенных педалей. 4. Включен стояночный тормоз. 5. Байпас гидравлического клапана сброса давления открыт. 	<ol style="list-style-type: none"> 1. Залейте гидравлическое масло. 2. Затяните установочные винты под педалями, чтобы зафиксировать вал педалей. 3. Убедитесь, что концы соединительной штанги (см. рис. 6, поз. 40) зафиксированы на поперечном валу сдвоенных педалей. 4. Отключите стояночный тормоз. 5. Закройте байпас гидравлического клапана сброса давления.
Г. Двигатель работает, LazyLiner медленно перемещается передним или задним ходом.	<ol style="list-style-type: none"> 1. Низкий уровень гидравлического масла. 2. Неправильная регулировка педали акселератора. 3. Ослабление крепления концов соединительной штанги на поперечном валу сдвоенных педалей. 4. Включен стояночный тормоз. 5. Байпас гидравлического клапана сброса давления открыт. 	<ol style="list-style-type: none"> 1. Залейте гидравлическое масло. 2. Затяните установочные винты под педалями, чтобы зафиксировать вал педалей. 3. Убедитесь, что концы соединительной штанги (см. рис. 6, поз. 40) зафиксированы на поперечном валу сдвоенных педалей. 4. Отключите стояночный тормоз. 5. Закройте байпас гидравлического клапана сброса давления.
Д. Включен стояночный тормоз, двигатель продолжает работать после того, как оператор вышел из LazyLiner.	<ol style="list-style-type: none"> 1. Неисправность защитного переключателя. 2. Стояночный тормоз не затормаживает колеса. 	<ol style="list-style-type: none"> 1. Свяжитесь со службой поддержки пользователей Titan. 2. Отрегулируйте стояночный тормоз согласно инструкциям по техобслуживанию (см. последнюю позицию в списке «Каждые 100 часов», предыдущая страница).
Е. Перебои в работе двигателя при прохождении поворотов и изменении направления движения.	<ol style="list-style-type: none"> 1. Низкий уровень моторного масла. 	<ol style="list-style-type: none"> 1. Долейте масло до требуемого уровня.
Ж. Двигатель работает короткое время и останавливается.	<ol style="list-style-type: none"> 1. Засорение топливной системы. 	<ol style="list-style-type: none"> 1. См. руководство по двигателю.
З. LazyLiner продолжает перемещаться после включения стояночного тормоза.	<ol style="list-style-type: none"> 1. Стояночный тормоз не затормаживает колеса. 	<ol style="list-style-type: none"> 1. Отрегулируйте стояночный тормоз согласно инструкциям по техобслуживанию (см. последнюю позицию в списке «Каждые 100 часов», предыдущая страница).

Если после выполнения указанных действий неисправности не устраняются, свяжитесь со службой технической поддержки Titan по тел.: 1-800-526-5362.

Índice

Segurança	90
Dados técnicos	91
Identificação de peças/controles	92-94
Recursos de conforto ajustáveis	95
Configuração	95
Lista de verificação de operação	95
Operação	96
Manutenção	96
Solução em caso de falhas	97
Garantia	101

Segurança

Este manual contém informações que devem ser lidas e entendidas antes de usar o equipamento. Ao chegar a uma seção com um dos símbolos a seguir, preste atenção especial e não deixe de observar a instrução.

É essencial que você leia e observe todas as instruções no manual de operação dos motores Honda e do equipamento Titan LazyLiner.

	Este símbolo indica um risco em potencial que pode causar ferimentos graves ou morte. Serão apresentadas importantes informações de segurança.
 Atenção	Este símbolo indica um risco em potencial para você ou o equipamento. Serão apresentadas importantes informações para evitar danos ao equipamento e causas de pequenos ferimentos.
	Observações fornecem informações importantes que devem receber atenção especial.

Trabalho ou reparos no equipamento elétrico:

Os serviços devem ser realizados somente por um electricista qualificado. Não assumimos nenhuma responsabilidade pela instalação incorreta.

Transporte e armazenamento

Este equipamento suporta e tem proteção para temperaturas de transporte e armazenamento de -25 °C a +55 °C e, em curtos períodos, de até +70 °C.

O equipamento foi embalado para evitar danos causados pelos efeitos de umidade, vibração e impacto normais.



RISCO DE VEÍCULO EM MOVIMENTO

Comportamento descuidado e negligente causa acidentes. Cair do veículo, colidir com pessoas ou objetos, ou ser atingido por outros veículos pode resultar em lesões graves ou morte.

PREVENÇÃO:

- Ao subir no LazyLiner, não pise no pedal para frente/ré.
- Faça curvas lentamente, limitando-se a curvas de no máximo 45°.
- Não opere em inclinações superiores a 15°.
- Tenha cuidado ao dirigir em descidas extremas e inclinações de pista, para evitar perda de tração.
- Não leve passageiros.
- Não reboque sem o conjunto de reboque e limite a carga.
- Siga todos os regulamentos locais de estradas e transportes.
- Não opere o equipamento sem iluminação adequada.

- Somente opere o equipamento sobre superfícies limpas e sólidas.



RISCO DE QUEIMADURA

Para evitar queimaduras severas, evite equipamento ou líquidos quentes. Aguarde até que o equipamento/líquido tenha resfriado totalmente. Não coloque materiais inflamáveis (por exemplo, panos molhados de óleo) sobre o motor.



RISCO DE MONÓXIDO DE CARBONO

A inalação de monóxido de carbono pode levar à morte. Não opere em uma área fechada.



EQUIPAMENTO DE PROTEÇÃO PESSOAL

Use o equipamento de proteção apropriado ao operar ou realizar manutenção no equipamento, para ajudar a protegê-lo contra lesões graves:

PREVENÇÃO:

- Use proteções para os olhos.
- Use roupas e respirador recomendados pelo fabricante do material de pulverização.
- Use sapatos com pontas de aço.
- Use luvas.
- Use proteção auricular.



RISCO DE INCÊNDIO E EXPLOSÃO

Vapores inflamáveis na área de trabalho, como vapores de solventes e de tintas, podem se inflamar ou explodir.



PREVENÇÃO:

- Use o equipamento em uma área bem-ventilada.
- Não abasteça o tanque de combustível enquanto o motor estiver em funcionamento ou quente.
- Elimine todas as fontes de ignição quando houver a presença de vapores inflamáveis.
- Mantenha a área de trabalho livre de detritos.
- Caso haja faíscas de estática, ou caso sinta um choque, interrompa a operação imediatamente.
- Mantenha um extintor de incêndio na área de trabalho.



ARMAZENAMENTO

Não deixe o LazyLiner ao ar livre sem proteção. Ele deve ser armazenado em um local seco.



TRANSPORTE

O LazyLiner não deve ser preso a um engate de reboque em um veículo motorizado para transporte. Deve-se transportar o LazyLiner somente em um reboque de leito plano ou outro veículo de transporte (ou seja, uma picape) depois de prendê-lo firmemente.

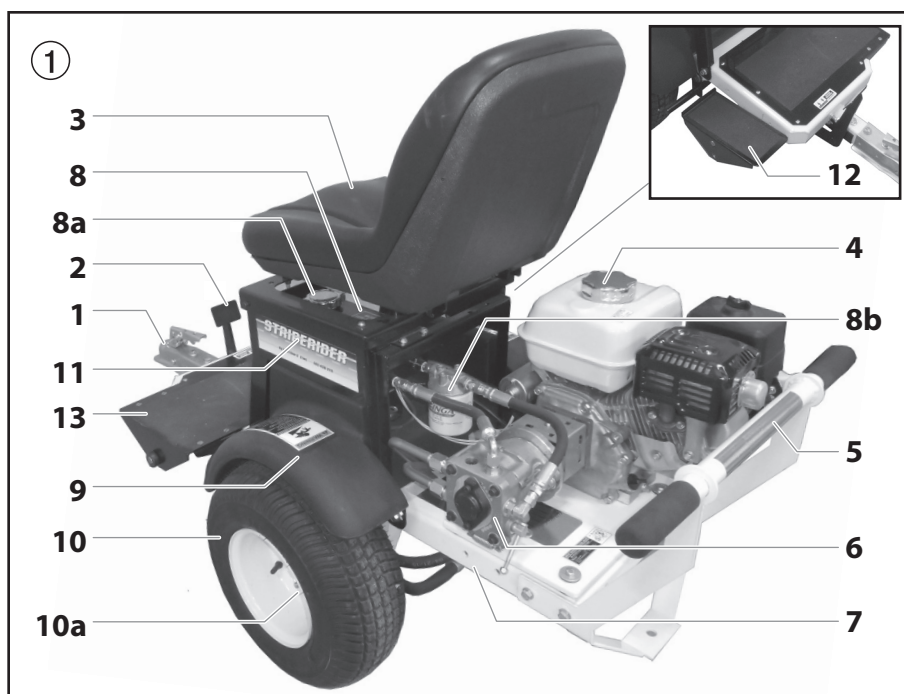
Perigo de esmagamento! São necessárias várias pessoas para carregar ou descarregar o LazyLiner. Não se deve transportar o LazyLiner com um guindaste.

Dados técnicos

	LazyLiner Pro	LazyLiner Elite
Motor		
	Honda GX160, partida manual	Honda GX200, partida elétrica, 16 A/200 W
Tipo de óleo do motor		
	SAE10-30W (0,6 l)	SAE10-30W (0,6 l)
Peso		
	118 kg	127 kg
Dimensões (C x L x A, assento na posição elevada)		
	145 cm x 66 cm x 107 cm	157 cm (bumper bar installed) x 74 cm x 107 cm
Velocidade máxima		
Para frente	0-16 KM/h	0-16 KM/h
Ré	0-11 KM/h	0-11 KM/h
Pressão sonora		
	85 dB*	85 dB*
Nível de vibração (com o equipamento de marcação de linhas anexado)		
	< 2,5 m/s ² (lados direito e esquerdo)	< 2,5 m/s ² (lados direito e esquerdo)
Pressão máx. dos pneus		
	25 psi (1.7 bar)	25 psi (1.7 bar)
Construção	Toda a construção do chassi e as proteções são de aço soldado, e a barra de proteção do motor e os para-choques de aço têm revestimento em pó industrial	
Acionamento	Transmissão hidrostática em ferro fundido para operações para a frente e à ré Um pedal de aceleração (para frente/para trás) Diferencial da transmissão de controle de trilha Corrente de acionamento de rolo de fileira dupla Óleo totalmente sintético Mobil 1™ 15W50 (4 quartos)	
Pressão operacional hidráulica		
	2700 psi (186 bar)	2700 psi (186 bar)
Temperatura operacional	+10 °C e +40 °C (+50 °F e +104 °F)	
Umidade relativa	50%, a +40 °C (+104 °F) (Uma umidade relativa maior não apresenta problema a temperaturas inferiores.)	
Altitude operacional	máx. 3000 m (9843') acima do nível do mar	
Freio de estacionamento	Freio de estacionamento manual	
Engate	Para instalação em equipamentos de marcação de linhas Titan e Graco	
Assento	Encosto alto de luxo, estofado, com controle ajustável de conforto e sensor de peso para desligamento de segurança	

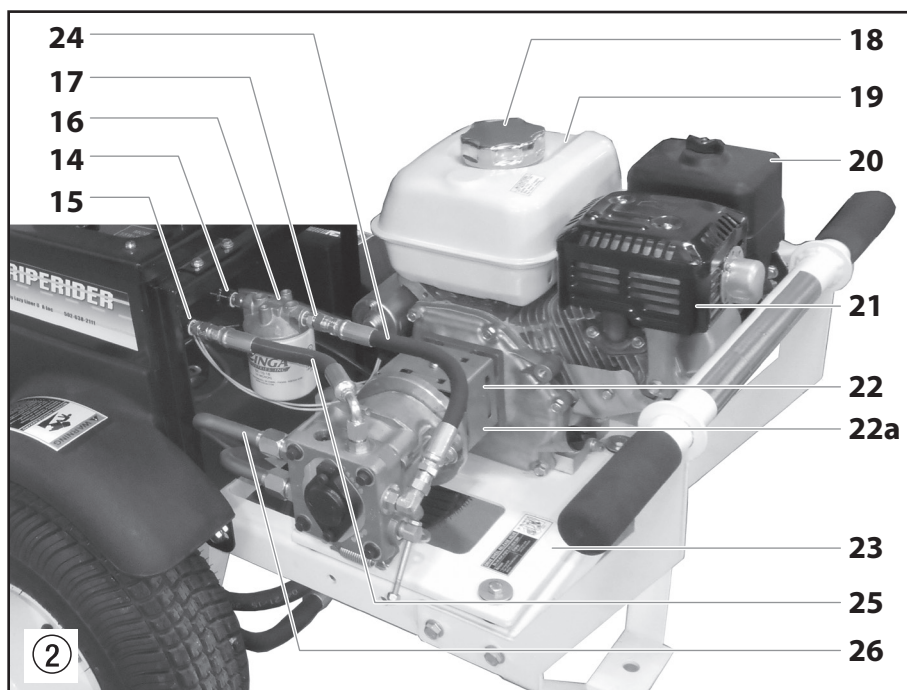
* Medido na altura da posição do assento.

Identificação de peças/controles



* 2413480 A bandeja transportadora (acessório opcional, não mostrado na foto) é fixada na barra do pára-choque acima do motor.

#	Peças #	Descrição	
1	290647	Suporte do acoplador	
2	290648	Alavanca de freio manual	
3	290675	Assento	
	290173	Interruptor de segurança do assento (não é exibido)	
4	0537547A	Motor (GX200, é exibido com partida elétrica)	
	980-331A	Motor (GX160, somente Pro)	
5	2423493	Para-choque, Honda (somente Pro)	
	0290646Z	Para-choque, Subaru (somente Pro)	
6	290649	Bomba BDP hidráulica	
7	290650	Chassi principal	
8	290652	Tanque hidráulico, 4 quartos	
	a	290678	Tampa do tanque hidráulico
	b	290679	Filtro hidráulico
9	-----	Para-lama	
10	290676	Conjunto da roda, Elite (2)	
	290677	Conjunto da roda, Pro (2)	
a	290682	Porcas de roda (4 por roda)	
11	290653	Estrutura do assento	
12	-----	Pedal	
13	290656	Base para os pés	

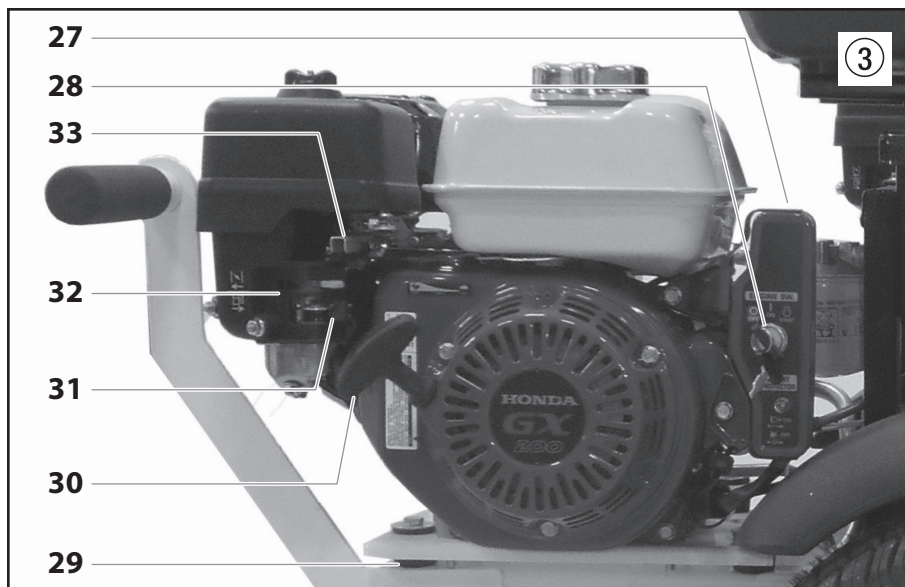


#	Peças #	Descrição
14	290394	Bocal, 1/4" NPT macho
15	290396	Cotovelo, 90°
16	290657	Filtro de óleo e alojamento rotatório
17	290395	Cotovelo, 90°
18	-----	Tampa de gasolina ventilada
19	-----	Tanque de gasolina
20	-----	Filtro de ar
21	-----	Conjunto do silenciador
22	290658	Alojamento da montagem da bomba de alumínio
	a	290659
23	290660	Montagem do motor no chassi, com 8 buchas de borracha isoladoras de vibração
24	290655	Linha hidráulica de pressão do filtro para a bomba
25	290661	Linha hidráulica de retorno da bomba BDP para o tanque
26	290662	Linhas rígidas de aço que conectam as mangueiras do motor de roda à bomba

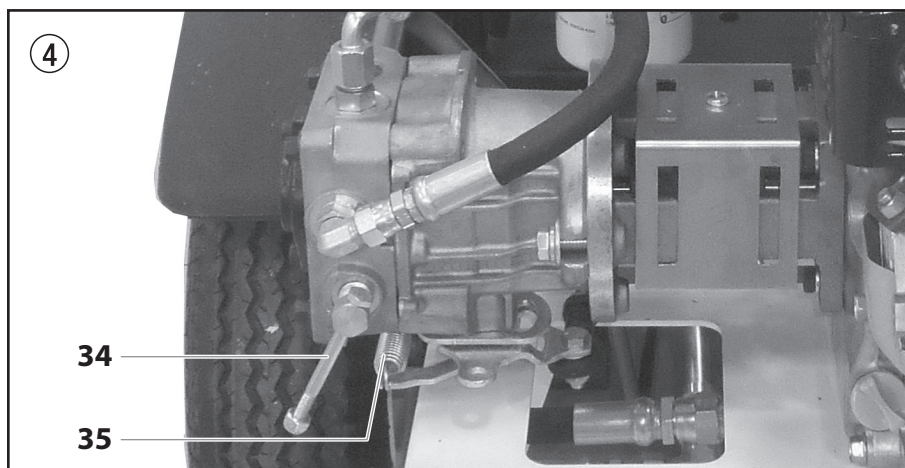


Todas as peças de serviço do motor Honda relacionadas são disponibilizadas somente pelo centro de serviço Honda.

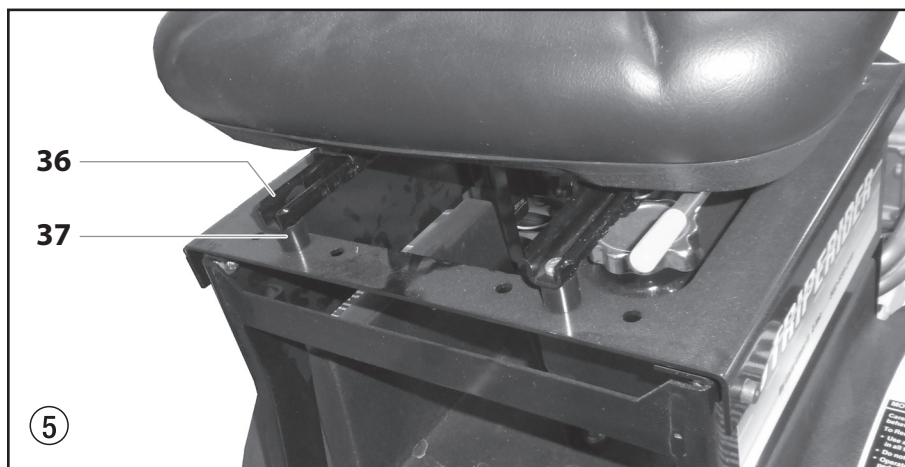
Identificação de peças/controles



#	Peças #	Descrição
27	-----	Retificador de magneto (somente Elite). Consulte o manual do motor
28	-----	Interruptor de chave para unidade Elite (7 hp)
29	290663	Buchas isoladoras de borracha para fixar placa do motor ao chassi
30	-----	Partida manual (unidades Pro e Elite)
31	-----	Corte do combustível
32	-----	Alavanca do afogador
33	-----	Regulador do motor (unidades Pro e Elite)

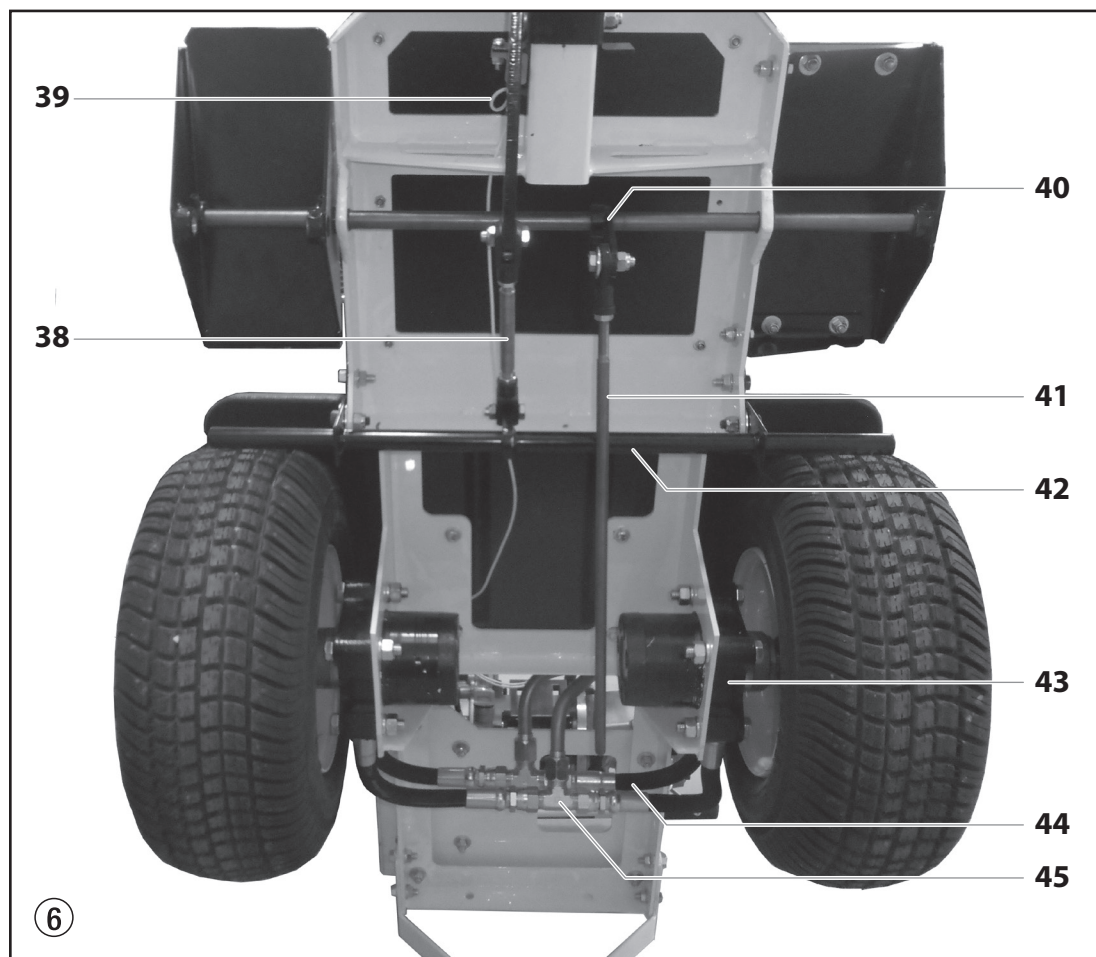


#	Peças #	Descrição
34	-----	Válvula de liberação hidráulica, derivação. Gire no sentido horário para colocar a parte hidráulica em acionamento; solte (de meia a uma volta no sentido anti-horário) para desengatar, em neutro.
35	290665	Mola e mecanismo RTN (retorno ao neutro), conecta-se à ligação do pedal sob o chassi.



#	Peças #	Descrição
36	290391	Suporte de ajuste do assento (2)
37	290392	Espaçador (4)

Identificação de peças/controles



#	Peças #	Descrição
38	-----	Sistema de freio de estacionamento de operação manual, porção inferior do item nº 2 que engata este sistema
39	290680	Chicote elétrico, parada do motor
40	290393	Extremidades da biela
41	290670	Haste de ligação, conecta o eixo do pedal ao RTN na bomba BDP (7/16 OD)
43	290671	Barra de travamento do freio de estacionamento

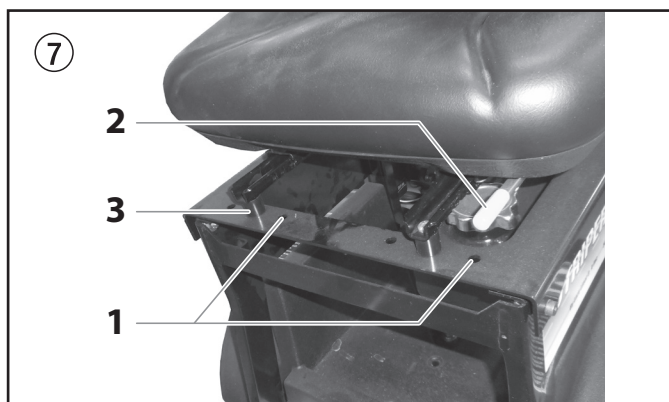
#	Peças #	Descrição
43	290672	Motores de rodas de acionamento hidráulico duplo
44	290673	Linhas hidráulicas que conectam motores de roda a linhas rígidas de aço na bomba, 4 no total, dois por motor de roda
45	290674	Conexões macho em T de 3 vias para conectar as linhas do motor de roda às linhas rígidas de aço da bomba
	290681	Cabos de bateria, positivos e negativos (somente Elite, não exibidos).

Recursos de conforto ajustáveis

Assento ajustável

O assento de sua unidade LazyLiner pode ser ajustado e posicionado para proporcionar um maior nível de conforto para sua operação diária, caso necessário. A Figura 7 mostra o assento posicionado para o lado direito.

1. Para alterar a posição do lado esquerdo/direito do assento, remova as porcas abaixo das faixas do assento e alinhe as faixas com um conjunto diferente de orifícios (Fig. 7, item 1) na estrutura do assento. O assento pode ser posicionado para o lado direito ou esquerdo, ou no meio de sua estrutura.
2. O assento pode ser ajustado de trás para frente com a alavanca manual (2) sob o lado esquerdo do assento. Empurre a alavanca e ajuste o assento para trás ou para frente até a posição desejada.
3. Os espaçadores (3) podem ser instalados ou removidos para ajustar o assento para cima ou para baixo.



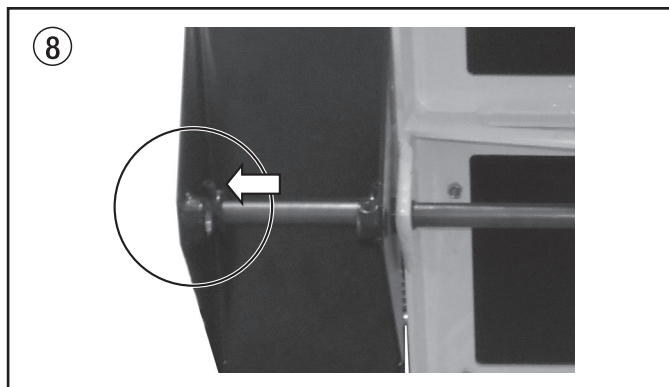
Pedal ajustável

O pedal do acelerador (pedal da direita) no LazyLiner pode ser ajustado para vários ângulos, bem como ajustado nas posições para cima ou para baixo. O uso desses recursos pode ajudar a reduzir a fadiga nos pés e tornozelos, ou aumentar um pouco o espaço para as pernas ou a altura para ajudar a alcançar melhor o pedal.

O LazyLiner é enviado de fábrica com o pedal na posição PARA BAIXO.

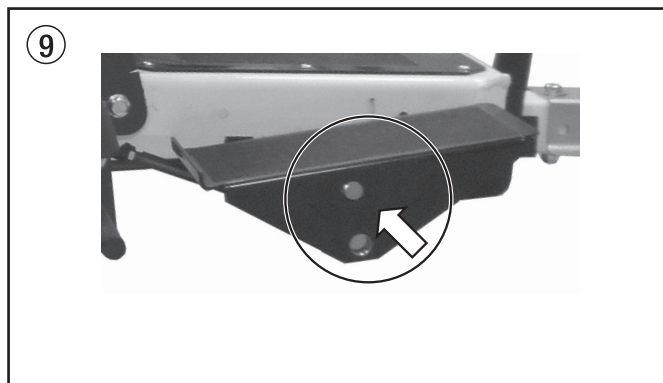
Siga estas instruções para ajustar a posição do pedal do acelerador.

1. Localize os dois parafusos de fixação abaixo do pedal que prendem o pedal ao eixo. Solte os parafusos de fixação com uma chave sextavada.



Caso queira alterar a altura dos pedais, remova totalmente os parafusos de fixação. Caso queira apenas ajustar o ângulo do pedal, mas não sua altura, é necessário apenas soltar os parafusos e não removê-los completamente.

2. Enquanto os parafusos de fixação estão soltos/removidos, reposicione o pedal para a altura e ângulo desejados. Para colocar o pedal na posição UP, passe o eixo do pedal através do orifício inferior no pedal.



3. Substitua e/ou aperte os parafusos de fixação para prender o pedal.



Se os parafusos de fixação não forem apertados suficientemente, os pedais não engatarão no eixo de pedal, e o regulador não funcionará corretamente.

Configuração

Instalar a bateria (somente Elite)

O LazyLiner Elite não inclui uma bateria. É necessário comprar uma separadamente antes de usar, a fim de que a partida elétrica funcione.

1. Consulte as especificações da bateria apropriada no manual do motor Honda incluído com o LazyLiner.
2. No compartimento abaixo do assento ajustável, solte o parafuso que prende o suporte da bateria ao chassi.
3. Instale a bateria e ligue seus cabos aos terminais apropriados: vermelho no terminal positivo (+), preto no terminal negativo (-).
4. Prenda o suporte da bateria à lateral da bateria para mantê-lo no lugar. Aperte o parafuso do suporte para firmar.

Instalar o engate de reboque

1. Instale o engate de reboque à traseira do equipamento de marcação de linhas. Siga as instruções separadas incluídas com o LazyLiner.
2. Levante a alavanca de trava no suporte do acoplador do LazyLiner e coloque-a sobre o engate de reboque. Pendure o LazyLiner no equipamento de marcação e certifique-se de que o engate foi preso. Prenda o engate com parafuso e fenda.

Lista de verificação de operação

Revise a verificação pré-operação da seguinte maneira:

1. Verifique novamente se todos os componentes estão instalados corretamente para garantir a operação segura
2. Verifique o óleo do motor.
3. Verifique o óleo da transmissão.
4. Abasteça o tanque com gasolina sem chumbo.
5. Verifique a pressão dos pneus.

Operação



Antes de colocar o equipamento em operação, leia atentamente as instruções no manual de operação dos motores Honda.

1. Verifique o nível de óleo do motor. Consulte o manual do motor fornecido para saber sobre o nível de óleo e a manutenção recomendados. O motor geralmente vem de fábrica pré-testado e abastecido com óleo.
2. Verifique o nível de óleo de transmissão na unidade removendo a tampa de abastecimento no topo do tanque hidráulico. O nível de óleo deve estar a 3/4 a 1 polegada de distância do topo do tanque.



Atenção

Caso o nível de óleo esteja baixo ou seja necessário trocá-lo, use sempre óleo totalmente sintético Mobil 1™, 15W50. Nunca use “óleo hidráulico” no sistema.

3. Remova a tampa de gasolina e abasteça o tanque com gasolina regular sem chumbo, certificando-se de que a alavanca de corte de combustível esteja na posição ativada. Recoloque a tampa de gasolina.
4. Sente-se no LazyLiner ou engate o freio de estacionamento.
5. Dê partida no motor:
 - a. Engate o freio de estacionamento (consulte a Figura 1, item 2). Empurre o braço para frente para engatar o freio.
 - b. Mova a válvula de combustível para a posição aberta e a válvula de mistura para a posição fechada (o mesmo em unidades com partida elétrica ou manual)
 - c. Coloque o regulador na posição alta e ligue o interruptor do motor (na unidade de partida elétrica)
 - d. Puxe a corda do motor ou ative o interruptor da chave
 - e. Após a partida do motor, mova o afogador para a posição de operação e coloque o regulador na posição desejada.



Somente é possível dar partida na unidade LazyLiner quando o freio de estacionamento está engatado ou o operador está na posição sentada. Se o freio não estiver engatado, ou se você não estiver sentado, o sistema do interruptor de segurança não permitirá a partida do motor.

6. Segure os manetes e aperte a liberação das rodas de rodízio.
7. Opere os pedais em movimento para a frente (pontas para baixo) ou à ré (calcanhar para baixo), o que for necessário. Para girar as unidades, use o marcador e solte a roda do rodízio.
8. Para alcançar a velocidade desejada do LazyLiner (0-16 km/h para frente, 0-11 km/h à ré), pressione com maior ou menor força no conjunto do pedal.

A unidade realizará uma parada completa (rapidamente) quando você permitir que os pedais retornem à posição central ou neutra. A pressão hidráulica cria o recurso de parada ou frenagem para parar a unidade.



Se o LazyLiner não se mover, será necessário apertar a derivação da válvula de liberação hidráulica (consulte a Figura 4, item 34). Gire de meia a uma volta no sentido horário até apertar, para engatar o acionamento.



SEMPRE engate o freio de estacionamento quando não estiver operando o LazyLiner nem estiver sobre ele.

Manutenção

Veja abaixo qual tipo de manutenção deve ser realizado em seu LazyLiner em determinados intervalos de uso.



Para obter detalhadas especificações técnicas e de manutenção do motor, consulte o manual separado do motor a gasolina.

Diariamente:

- Verifique o nível de óleo do motor e abasteça, se necessário.
- Verifique o nível do reservatório de óleo da transmissão e abasteça, se necessário. O óleo e o filtro devem ser trocados a cada 650-700 horas de serviço.
- Verifique e abasteça o tanque de gasolina com gasolina regular sem chumbo.
- Verifique os pneus e calibre até 1,7 bar (25 psi), se necessário
- Limpe o equipamento com um pano – nunca use uma mangueira de água para lavar.
- Verifique e limpe o limpador de ar. Substitua-o quando necessário

Após as primeiras 20 horas:

- Drene o óleo do motor e reabasteça com óleo SAE 10W-30. Consulte a classificação de API nas especificações do fabricante.

Semanalmente:

- Acrescente uma pequena quantidade de graxa ao acoplador de esfera dentro da área da esfera.
- Verifique a integridade de todas as peças. Aperte os parafusos ou porcas que estiverem soltos.

A cada 50 horas:

- Substitua a vela de ignição.
- Inspeção o sistema para ver se há vazamento de óleo do conjunto de acionamento.

A cada 100 horas:

- Lubrifique os rolamentos de eixo – Graxa do tipo molibdênio, duas bombeadas de uma pistola de graxa. Remova o excesso de graxa dos rolamentos.
- Drene o óleo do motor e reabasteça com óleo SAE 10W-30. Consulte a classificação de API nas especificações do fabricante.
- Verifique o reservatório da transmissão e reabasteça, se necessário.
- Verifique a tensão da corrente e restabeleça a tensão na engrenagem da polia intermediária, se necessário. Remova a tampa da transmissão e verifique a correia de acionamento. Reaplique a tensão, se necessário.
- Use uma fonte de ar para remover a poeira acumulada no interior da tampa.
- Faça o rodízio dos pneus para que o desgaste seja mais uniforme e a vida útil seja mais longa. Conforme os pneus se desgastam, é necessário ajustar o conjunto de freio para garantir o contato apropriado com os pneus. Solte os dois parafusos de 3/8” que prendem o conjunto de freio ao chassi. Empurre a montagem do conjunto de freio para a traseira da unidade, de 1/8 a 1/4 polegada. Aperte novamente os parafusos.

Solução em caso de falhas

Tipo de defeito	Possível causa	Medidas para eliminar o defeito
A. O motor não dá partida.	<ol style="list-style-type: none"> 1. Interruptor do motor desligado, ausência de gasolina ou óleo baixo. 2. Bateria esgotada. 3. Freio de estacionamento não está engatado. 4. Não há ninguém no assento do motorista, o sensor não é disparado. 	<ol style="list-style-type: none"> 1. Consulte o manual do motor. 2. Puxe o cabo de arranque. 3. Engate o freio de estacionamento. 4. Sente-se no assento do motorista.
B. O motor avança para alta rotação, ou para durante a operação.	<ol style="list-style-type: none"> 1. Alavanca, controlador do regulador desgastado. 	<ol style="list-style-type: none"> 1. Consulte o manual do motor.
C. O motor funciona, mas o LazyLiner não se move para a frente nem para trás.	<ol style="list-style-type: none"> 1. Óleo hidráulico baixo. 2. O pedal acelerador foi ajustado incorretamente. 3. As extremidades da biela no eixo transversal dos dois pedais estão soltas. 4. Freio de estacionamento está engatado. 5. A derivação da válvula de liberação hidráulica está aberta. 	<ol style="list-style-type: none"> 1. Abasteça com óleo hidráulico. 2. Prenda os parafusos de fixação abaixo dos pedais para firmar o eixo do pedal. 3. Certifique-se de que as extremidades da biela (veja a Figura 6, item 40) estejam presas ao eixo transversal dos dois pedais. 4. Solte o freio de estacionamento. 5. Feche a derivação da válvula de liberação hidráulica.
D. O motor funciona, e o LazyLiner se move lentamente para a frente ou para trás.	<ol style="list-style-type: none"> 1. Óleo hidráulico baixo. 2. O pedal acelerador foi ajustado incorretamente. 3. As extremidades da biela no eixo transversal dos dois pedais estão soltas. 4. Freio de estacionamento está engatado. 5. A derivação da válvula de liberação hidráulica está aberta. 	<ol style="list-style-type: none"> 1. Abasteça com óleo hidráulico. 2. Prenda os parafusos de fixação abaixo dos pedais para firmar o eixo do pedal. 3. Certifique-se de que as extremidades da biela (veja a Figura 6, item 40) estejam presas ao eixo transversal dos dois pedais. 4. Solte o freio de estacionamento. 5. Feche a derivação da válvula de liberação hidráulica.
E. Com o freio de estacionamento engatado, o motor continua funcionando quando o operador sai do LazyLiner.	<ol style="list-style-type: none"> 1. Defeito no interruptor de segurança. 2. Freio de estacionamento não está engatando nos pneus. 	<ol style="list-style-type: none"> 1. Entre em contato com o atendimento ao cliente da Titan. 2. Ajuste o freio de estacionamento segundo as instruções de manutenção (consulte o último marcador, "A cada 100 horas", na página anterior).
F. Ocorre falha de ignição durante curvas e trocas entre movimento para a frente e à ré.	<ol style="list-style-type: none"> 1. Óleo do motor baixo. 	<ol style="list-style-type: none"> 1. Abasteça até o nível de óleo correto.
G. O motor funciona por um breve período e depois para.	<ol style="list-style-type: none"> 1. Restrição do fluxo de combustível. 	<ol style="list-style-type: none"> 1. Consulte o manual do motor.
H. O LazyLiner ainda se move após o engate do freio de estacionamento.	<ol style="list-style-type: none"> 1. Freio de estacionamento não está engatando nos pneus. 	<ol style="list-style-type: none"> 1. Ajuste o freio de estacionamento segundo as instruções de manutenção (consulte o último marcador, "A cada 100 horas", na página anterior).

Caso ainda esteja tendo problemas depois de seguir essas etapas, entre em contato com o Serviço Técnico da Titan no número 1-800-526-5362

Warranty

Titan Tool, Inc., ("Titan") warrants that at the time of delivery to the original purchaser for use ("End User"), the equipment covered by this warranty is free from defects in material and workmanship. With the exception of any special, limited, or extended warranty published by Titan, Titan's obligation under this warranty is limited to replacing or repairing without charge those parts which, to Titan's reasonable satisfaction, are shown to be defective within twelve (12) months after sale to the End User. This warranty applies only when the unit is installed and operated in accordance with the recommendations and instructions of Titan.

This warranty does not apply in the case of damage or wear caused by abrasion, corrosion or misuse, negligence, accident, faulty installation, substitution of non-Titan component parts, or tampering with the unit in a manner to impair normal operation.

Defective parts are to be returned to an authorized Titan sales/service outlet. All transportation charges, including return to the factory, if necessary, are to be borne and prepaid by the End User. Repaired or replaced equipment will be returned to the End User transportation prepaid.

THERE IS NO OTHER EXPRESS WARRANTY. TITAN HEREBY DISCLAIMS ANY AND ALL IMPLIED WARRANTIES INCLUDING, BUT NOT LIMITED TO, THOSE OF MERCHANTABILITY AND FITNESS FOR A PARTICULAR PURPOSE, TO THE EXTENT PERMITTED BY LAW. THE DURATION OF ANY IMPLIED WARRANTIES WHICH CANNOT BE DISCLAIMED IS LIMITED TO THE TIME PERIOD SPECIFIED IN THE EXPRESS WARRANTY. IN NO CASE SHALL TITAN LIABILITY EXCEED THE AMOUNT OF THE PURCHASE PRICE. LIABILITY FOR CONSEQUENTIAL, INCIDENTAL OR SPECIAL DAMAGES UNDER ANY AND ALL WARRANTIES IS EXCLUDED TO THE EXTENT PERMITTED BY LAW.

TITAN MAKES NO WARRANTY AND DISCLAIMS ALL IMPLIED WARRANTIES OF MERCHANTABILITY AND FITNESS FOR A PARTICULAR PURPOSE WITH RESPECT TO ACCESSORIES, EQUIPMENT, MATERIALS OR COMPONENTS SOLD BUT NOT MANUFACTURED BY TITAN. THOSE ITEMS SOLD, BUT NOT MANUFACTURED BY TITAN (SUCH AS GAS ENGINES, SWITCHES, HOSES, ETC.) ARE SUBJECT TO THE WARRANTY, IF ANY, OF THEIR MANUFACTURER. TITAN WILL PROVIDE THE PURCHASER WITH REASONABLE ASSISTANCE IN MAKING ANY CLAIM FOR BREACH OF THESE WARRANTIES.

Garantie

Titan Tool, Inc., ("Titan") garantiert, dass zum Zeitpunkt der Lieferung an den Käufer („Endverbraucher“) die Ausrüstung, die von dieser Garantie abgedeckt ist, frei von Material- und Fabrikationsfehler ist. Mit Ausnahme spezieller, eingeschränkter oder erweiterter Garantie, die Titan bekannt gegeben hat, ist die Gewährleistungsverpflichtung von Titan beschränkt auf den kostenlosen Austausch oder Nachbesserung für jene Teile, die, nachdem dies Titan nachvollziehbar nachgewiesen wurden, binnen zwölf (12) Monaten nach Verkauf an den Endverbraucher sich als fehlerhaft erweisen. Die Garantie greift nur, wenn das Gerät gemäß den Empfehlungen und Anweisungen von Titan installiert und bedient wurde.

Diese Garantie gilt nicht bei Beschädigung oder Abnutzung durch Abrieb, Korrosion oder unsachgemäße Benutzung, Unachtsamkeit, Unfall, unsachgemäße Installation, Verwendung von Ersatzteilen, die nicht von Titan stammen bzw. wenn Änderungen an dem Gerät vorgenommen wurden wodurch eine normale Benutzung beeinträchtigt wird

Defekte Teile müssen an den autorisierten Titan-Händler/ die autorisierte Titan-Niederlassung zurückgeschickt werden. Alle Transportkosten, einschließlich der Rücksendung an die Fabrik, falls erforderlich, sind vom Endverbraucher zu tragen und müssen im Voraus bezahlt werden. Repariertes oder ausgetauschtes Zubehör wird auf Kosten des Endverbrauchers nach Vorauszahlung der Transportkosten zurückgeschickt

ES GIBT SONST KEINE ANDERE MÄNGELGARANTIE. TITAN SCHLIESST HIERMIT ALLE UND JEDE STILLSCHWEIGENDE GARANTIE AUS, EINSCHLIESSLICH, JEDOCH NICHT BESCHRÄNKT AUF MARKTFÄHIGKEIT UND EIGNUNG FÜR EINEN BESTIMMTEN ZWECK, SOWEIT GESETZLICH ZULÄSSIG. DIE DAUER ALLER STILLSCHWEIGENDEN GARANTIEN, DIE NICHT AUSGESCHLOSSEN WERDEN KÖNNEN, SIND BESCHRÄNKT AUF DIE IN DER AUSDRÜCKLICHEN GARANTIE FESTGELEGTE DAUER. TITAN HAFTET IN KEINER WEISE ÜBER DEN KAUFPREIS HINAUS. DIE HAFTUNG FÜR FOLGESCHÄDEN, ZUFÄLLIGE SCHÄDEN ODER SPEZIELLE SCHÄDEN UNTER JEDER UND ALLEN GARANTIEN IST AUSGESCHLOSSEN SOWEIT GESETZLICH ZUGELASSEN.

TITAN ÜBERNIMMT KEINE GARANTIE UND SCHLIESST ALLE STILLSCHWEIGENDEN GARANTIEN AUF MARKTFÄHIGKEIT UND EIGNUNG FÜR EINEN BESTIMMTEN ZWECK BEZÜGLICH ZUBEHÖR, AUSTRÜSTUNG, MATERIALIEN UND KOMPONENTEN AUS, DIE VON TITAN VERKAUFT, JEDOCH NICHT HERGESTELLT WURDEN. JENE VON TITAN VERKAUFTEN, JEDOCH NICHT VON TITAN HERGESTELLTEN KOMPONENTEN (WIE Z.B. GASMOTOREN, SCHALTER, SCHLÄUCHE, ETC.) UNTERLIEGEN DER GEWÄHRLEISTUNG DES JEWEILIGEN HERSTELLERS, SOFERN DIESE GEWÄHRT WERDEN. TITAN UNTERSTÜTZT DEN KÄUFER IN ANGEMESSENER WEISE, WENN ES UM ANSPRÜCHE WEGEN DER VERLETZUNG VON GEWÄHRLEITUNGEN GEHT.

Garantie

Titan Tool, Inc. ("Titan") garantit qu'au moment de la livraison à l'acheteur initial ("Utilisateur"), l'appareil couvert par la présente garantie sera exempt de défauts de matériaux et de fabrication. Exception faite de toute garantie particulière ou limitée et de toute extension de garantie publiées par Titan, la responsabilité de celui-ci se limite, en vertu de la présente garantie, au remplacement ou à la réparation sans frais des pièces dont le caractère défectueux aura été démontré de manière satisfaisante pour Titan, dans un délai de douze (12) mois après la date d'achat par l'Utilisateur. Cette garantie ne sera applicable que si l'appareil a été installé et utilisé conformément aux recommandations et directives de Titan.

Cette garantie ne sera pas applicable dans les cas d'endommagement ou d'usure dus à l'abrasion, la corrosion, un mauvais usage, la négligence, un accident, une installation incorrecte, un remplacement par des composants non fournis par Titan ou toute autre intervention non autorisée de nature à nuire au fonctionnement normal de l'appareil.

Les pièces défectueuses devront être envoyées à un centre de service / vente Titan autorisé. Les frais de transport couvrant y compris le retour à l'usine, seront, le cas échéant, prépayés par l'Utilisateur. Après réparation ou remplacement, les pièces seront renvoyées à ce dernier par transport prépayé.

AUCUNE AUTRE GARANTIE EXPRESSE N'EST ACCORDÉE. TITAN REJETTE TOUTE AUTRE GARANTIE IMPLICITE Y COMPRIS, NOTAMMENT, LES GARANTIES DE QUALITÉ MARCHANDE ET DE COMPATIBILITÉ AVEC UN USAGE PARTICULIER, DANS LES LIMITES PERMISES PAR LA LOI.

LA DURÉE DES GARANTIES IMPLICITES NE POUVANT FAIRE L'OBJET D'UNE RENONCIATION SE LIMITE À LA PÉRIODE INDIQUÉE DANS LA GARANTIE EXPRESSE.

LA RESPONSABILITÉ DE Titan NE SAURAIT EN AUCUN CAS ÊTRE ENGAGÉE POUR UN MONTANT SUPÉRIEUR À CELUI DU PRIX D'ACHAT. Titan EXCLUT TOUTE RESPONSABILITÉ RELATIVE AUX DOMMAGES INDIRECTS, ACCESSOIRES OU PARTICULIERS, DANS LES LIMITES PRÉVUES PAR LA LOI.

TITAN NE DONNE AUCUNE GARANTIE ET DÉCLINE TOUTE GARANTIE IMPLICITE DE QUALITÉ MARCHANDE ET DE COMPATIBILITÉ AVEC UN USAGE PARTICULIER EN CE QUI CONCERNE LES ACCESSOIRES, L'APPAREIL, LES MATÉRIAUX OU LES COMPOSANTS VENDUS MAIS NON FABRIQUÉS PAR Titan. CES DERNIERS ÉLÉMENTS, VENDUS MAIS NON FABRIQUÉS PAR Titan (MOTEURS À ESSENCE, COMMULATEURS, FLEXIBLES, ETC.), SONT SOUMIS, LE CAS ÉCHÉANT, À LA GARANTIE DU FABRICANT. Titan S'ENGAGE À PORTER ASSISTANCE AUX ACHETEURS, DANS LES LIMITES DU RAISONNABLE, POUR LA CONSTITUTION DE RÉCLAMATIONS RELATIVES AU NON RESPECT DE CES GARANTIES.

Garantía

Titan Tool, Inc., ("Titan") garantiza que al momento de la entrega al comprador original para su uso ("Usuario Final") el equipo que se encuentra bajo la cobertura de esta garantía no presentará defectos de materiales ni de mano de obra. A excepción de cualquier garantía especial, limitada o extendida publicada por Titan, la obligación de Titan según esta garantía se limita al reemplazo o la reparación sin cargo de las piezas, las que según el criterio de Titan se presenten como defectuosas dentro de doce (12) meses después de la venta al Usuario Final. Esta garantía es aplicable sólo cuando la unidad se instala y se hace funcionar de acuerdo con las recomendaciones e instrucciones de Titan.

Esta garantía no se aplica en caso de daño o desgaste provocado por abrasión, corrosión, uso indebido, negligencia, accidente, instalación defectuosa, sustitución de piezas de componentes que no pertenezcan a Titan o la alteración de la unidad de alguna manera que impida su funcionamiento normal.

Las piezas defectuosas se deben devolver a una tienda de ventas/servicio técnico autorizada de Titan. Todos los cargos de transporte, incluido el regreso a la fábrica de ser necesario, deben ser costeados y pagados por adelantado por el Usuario Final. El equipo que se repare o reemplace se devolverá al Usuario Final con los gastos de envío pagados por adelantado.

NO EXISTE OTRA GARANTÍA EXPRESA. POR ESTE MEDIO TITAN NIEGA TODAS LAS GARANTÍAS IMPLÍCITAS, ENTRE LAS QUE SE INCLUYEN, AQUELLAS DE COMERCIABILIDAD Y APTITUD PARA UN FIN EN PARTICULAR DENTRO DE LO QUE PERMITA LA LEY. LA DURACIÓN DE CUALQUIER GARANTÍA IMPLÍCITA QUE NO SE PUEDA NEGAR SE LIMITA AL PERÍODO QUE SE ESPECIFIQUE EN LA GARANTÍA EXPRESA. LA RESPONSABILIDAD DE TITAN NO EXCEDERÁ EN NINGÚN CASO EL VALOR DE LA COMPRA. LA RESPONSABILIDAD POR DAÑOS ESPECIALES, INDIRECTOS O EMERGENTES SEGÚN CUALQUIERA Y TODAS LAS GARANTÍAS ESTÁ EXCLUIDA DENTRO DE LO QUE PERMITA LA LEY.

TITAN NO REALIZA NINGUNA GARANTÍA Y NIEGA TODAS LAS GARANTÍAS IMPLÍCITAS DE COMERCIABILIDAD Y APTITUD PARA UN FIN EN PARTICULAR EN RELACIÓN CON ACCESORIOS, EQUIPOS, MATERIALES O COMPONENTES QUE VENDA, PERO QUE NO FABRIQUE TITAN. ESTOS ARTÍCULOS QUE VENDA, PERO QUE NO FABRIQUE TITAN (TALES COMO MOTORES DE GAS, INTERRUPTORES, MANGUERAS, ETC.) ESTÁN SUJETOS A LA GARANTÍA, DE EXISTIR ALGUNA, DE SU FABRICANTE. TITAN PROPORCIONARÁ UNA ASISTENCIA RAZONABLE AL COMPRADOR PARA REALIZAR CUALQUIER RECLAMACIÓN POR EL INCUMPLIMIENTO DE ESTAS GARANTÍAS.

Garanzia

Titan Tool, Inc., ("Titan") garantisce che al momento della consegna all'acquirente originale per l'uso ("utente finale"), il dispositivo coperto da questa garanzia è esente da difetti nei materiali e nella lavorazione. Con l'eccezione di qualsiasi garanzia speciale, limitata o estesa pubblicata da Titan, gli obblighi di Titan ai sensi di questa garanzia si limitano alla sostituzione o riparazione gratuite di quei componenti che, secondo ragionevole valutazione di Titan, si dimostrano essere difettosi entro dodici (12) mesi dalla vendita all'utente finale. Questa garanzia si applica solo se l'unità è installata e utilizzata secondo i consigli e le istruzioni di Titan.

Questa garanzia non si applica in caso di danni o usura causati da abrasione, corrosione o errato uso, negligenza, incidente, installazione errata, sostituzione di componenti non Titan o manomissione dell'unità in modo da impedire il normale funzionamento.

I componenti difettosi devono essere restituiti ad un punto vendita/assistenza Titan. Tutte le spese di trasporto, compresa la restituzione alla fabbrica, se necessario, devono essere sostenute e prepagate dall'utente finale. Il dispositivo riparato o sostituito sarà restituito all'utente finale con trasporto prepagato.

NON CI SONO ALTRE GARANZIE ESPRESSE. TITAN CON IL PRESENTE ESCLUDE QUALSIASI E TUTTE LE GARANZIE IMPLICITE COMPRESE, MA NON LIMITATE A, QUELLE DI COMERCIABILITÀ E ADEGUATEZZA AD UN PARTICOLARE SCOPO, NELLA MISURA CONSENTITA DALLA LEGGE. LA DURATA DI QUALSIASI GARANZIA IMPLICITA CHE NON POSSA ESSERE ESCLUSA SI LIMITA AL PERIODO DI TEMPO SPECIFICATO NELLA GARANZIA ESPRESA. IN NESSUN CASO LA RESPONSABILITÀ DI TITAN SUPERERÀ L'AMMONTARE DEL PREZZO DI ACQUISTO. LA RESPONSABILITÀ PER DANNI CONSEGUENZIALI, INCIDENTALI O SPECIALI AI SENSI DI QUALSIASI E TUTTE LE GARANZIE È ESCLUSA NELLA MISURA CONSENTITA DALLA LEGGE.

TITAN NON DÀ ALCUNA GARANZIA E ESCLUDE TUTTE LE GARANZIE IMPLICITE DI COMERCIABILITÀ E ADEGUATEZZA AD UN PARTICOLARE SCOPO CON RIFERIMENTO A ACCESSORI, DISPOSITIVO, MATERIALI O COMPONENTI VENDUTI MA NON PRODOTTI DA TITAN. GLI ARTICOLI VENDUTI, MA NON PRODOTTI DA TITAN (COME MOTORI A GAS, INTERRUPTORI, FLESSIBILI, ECC.) SONO SOGGETTI ALL'EVENTUALE GARANZIA DEI LORO PRODUTTORI. TITAN FORNIRÀ ALL'ACQUIRENTE LA RAGIONEVOLE ASSISTENZA NEL PRESENTARE RICORSO PER LA VIOLAZIONE DI TALI GARANZIE.

Garantia

A Titan Tool, Inc., ("Titan") garante que, no momento da entrega ao comprador original para seu uso ("Utilizador Final"), o equipamento coberto por esta garantia está isento de defeitos no material e na fabricação. Com a exceção de qualquer garantia especial, limitada ou alargada publicada pela Titan, a obrigação da Titan sob esta garantia se limita a substituir ou reparar sem cobrar essas peças que, segundo o critério da Titan, demonstram estar defeituosas dentro de doze (12) meses após a venda ao Utilizador Final. Esta garantia aplica-se apenas quando a unidade é instalada e operada de acordo com as recomendações e as instruções da Titan.

Esta garantia não se aplica no caso de danos ou desgaste causado pelo desgaste abrasivo, corrosão ou uso indevido, negligência, acidente, instalação incorrecta, substituição de peças de componentes sem serem da Titan, ou alteração ilegal da unidade de forma a afectar o funcionamento normal.

As peças defeituosas devem ser devolvidas a um centro de vendas/serviço autorizado da Titan. Todos os encargos de transporte, incluindo a devolução à fábrica, se necessário, serão custeados e pagos previamente pelo Utilizador Final. O equipamento reparado ou substituído será devolvido ao Utilizador Final com porte pré-pago.

NÃO EXISTE NENHUMA OUTRA GARANTIA EXPRESSA. A Titan RECUSA PELA PRESENTE TODAS E QUAISQUER GARANTIAS IMPLÍCITAS INCLUINDO, SEM LIMITAÇÕES, AS DE ADEQUAÇÃO À COMERCIALIZAÇÃO, ADEQUAÇÃO A UM FIM ESPECÍFICO, NA MEDIDA EM QUE A LEGISLAÇÃO OBRIGA. A DURAÇÃO DE QUAISQUER GARANTIAS IMPLÍCITAS QUE NÃO PODEREM SER RECUSADAS LIMITA-SE AO PRAZO ESPECIFICADO NA GARANTIA EXPRESSA. EM CASO ALGUM, A RESPONSABILIDADE DA Titan EXCEDERÁ O MONTANTE DO PREÇO DE COMPRA. A RESPONSABILIDADE POR DANOS CONSEQUENCIAIS, ACIDENTAIS OU ESPECIAIS AO ABRIGO DE TODAS E QUAISQUER GARANTIAS ESTÁ EXCLUÍDA NA MEDIDA EM QUE A LEGISLAÇÃO OBRIGA.

A TITAN NÃO OFERECE GARANTIAS E RECUSA TODAS AS GARANTIAS IMPLÍCITAS DE ADEQUAÇÃO À COMERCIALIZAÇÃO E ADEQUAÇÃO A UM FIM ESPECÍFICO REFERENTE A ACESSÓRIOS, EQUIPAMENTO, MATERIAIS OU COMPONENTES VENDIDOS, MAS NÃO FABRICADOS PELA TITAN. AQUELES ARTIGOS VENDIDOS, MAS NÃO FABRICADOS PELA TITAN (COMO MOTORES A GÁS, INTERRUPTORES, TUBOS, ETC.), ESTÃO SUJEITOS À GARANTIA DO SEU PRÓPRIO FABRICANTE, CASO EXISTA. A TITAN PROPORCIONARÁ AO COMPRADOR ASSISTÊNCIA ADEQUADA PARA EFECTUAR QUAISQUER RECLAMAÇÕES EM CASO DE INCUMPRIMENTO DESTAS GARANTIAS.

Garantie

Titan Tool, Inc., ("Titan") garandeert dat, op het moment van de levering aan de oorspronkelijke aankoper die de apparatuur zal gebruiken ("Eindgebruiker"), de apparatuur vrij is van defecten in het materiaal en de uitvoering. Met uitzondering van eventuele speciale, beperkte of uitgebreide garanties die door Titan zijn gepubliceerd, is de verplichting van Titan onder deze garantie beperkt tot het kosteloos vervangen of repareren van de onderdelen die, naar het redelijk oordeel van Titan, defect zijn binnen de twaalf (12) maanden na de verkoop aan de eindgebruiker. Deze garantie is alleen van toepassing wanneer de eenheid is geïnstalleerd en wordt gebruikt in overeenstemming met de aanbevelingen en instructies van Titan.

De garantie is niet van toepassing wanneer schade of slijtage optreedt als gevolg van schuren, roest of oneigenlijk gebruik, nalatigheid, een ongeval, een foute installatie, vervanging met onderdelen die niet van Titan zijn of geknoei met de eenheid die de normale werking belemmert.

Defecte onderdelen moeten worden geretourneerd aan een bevoegd verkoop-/servicepunt van Titan. Alle transportkosten, inclusief retour naar de fabriek indien nodig, zijn ten laste van en worden vooraf betaald door de Eindgebruiker. Gerepareerde of vervangen apparatuur wordt geretourneerd aan de Eindgebruiker, waarbij het transport vooraf is betaald.

ER IS GEEN ANDERE UITDRUKKELIJKE GARANTIE. TITAN WIJST HIERBIJ ALLE IMPLICIETE GARANTIES AF, INCLUSIEF, MAAR NIET BEPERKT TOT, EEN GARANTIE VOOR VERKOOPBAARHEID EN GESCHIKTHEID VOOR EEN BEPAALD DOELEINDE, VOOR ZOVER DE WET DIT TOELAAT. DE DUUR VAN EVENTUELE IMPLICIETE GARANTIES DIE NIET KUNNEN WORDEN AFGEWEEZEN IS BEPERKT TOT DE DUUR DIE IN DE UITDRUKKELIJKE GARANTIE IS VERMELD. DE AANSPRAKELIJKHEID VAN TITAN ZAL IN GEEN GEVAL GROTER ZIJN DAN HET BEDRAG VAN DE AANKOOPPRIJS. AANSPRAKELIJKHEID VOOR GEVOLGSCHADE, INCIDENTELE OF SPECIALE SCHADE IS UITGESLOTEN ONDER ALLE GARANTIES, VOOR ZOVER DE WET DIT TOELAAT.

TITAN GEEFT GEEN GARANTIES EN WIJST ALLE IMPLICIETE GARANTIES AF VOOR DE VERKOOPBAARHEID EN GESCHIKTHEID VOOR EEN BEPAALD DOELEINDE VAN ACCESSOIRES, APPARATUUR, MATERIALEN OF ONDERDELEN DIE DOOR TITAN WORDEN VERKOCHT, MAAR NIET GEPRODUCEERD. DEZE ARTIKELN DIE DOOR TITAN WORDEN VERKOCHT, MAAR NIET GEPRODUCEERD (ZOALS GASMOTOREN, SCHAKELAARS, SLANGEN, ENZ.) ZIJN ONDERWORPEN AAN DE GARANTIE VAN HUN PRODUCENT. TITAN ZAL DE AANKOPER OP REDELIJKE WIJZE BIJSTAAN BIJ HET INSTELLEN VAN ENE VORDERING BIJ EEN INBREUK OP DEZE GARANTIES.

Garanti

Titan Tool, Inc., ("Titan") garanterer, at udstyret - på leveringstidspunktet til brug af den oprindelige køber ("slutbruger") - som denne garanti dækker, er frit for defekter mht. materiale og forarbejdning. Med undtagelse af særlig, begrænset eller udvidet garanti offentliggjort af Titan, er Titans forpligtelse under denne garanti begrænset til udskiftning eller reparation uden omkostninger for de reservedele, som i Titans rimelige omdømme viser sig at være defekte indenfor tolv (12) måneder efter salget til slutbrugeren. Denne garanti gælder kun, når enheden er installeret og betjent i overensstemmelse med anbefalinger og anvisninger fra Titan.

Denne garanti gælder ikke i tilfælde af beskadigelse eller slid forårsaget af slibning, tæring eller misbrug, forsømmelighed, hændeligt uheld, forkert installation, udskiftning med reservedele som ikke stammer fra Titan, eller pilfingre som piller ved enheden så normal betjening svækkes.

Dele, som er defekte, skal sendes tilbage til en autoriseret Titan forhandler/serviceværksted. Alle forsendelsesomkostninger, inklusive tilbagesendelse til fabrikken om nødvendigt, er slutbrugers ansvar og skal forudbetales. Repareret eller udskiftet udstyr bliver tilbagesendt til slutbrugeren med forudbetalt forsendelse.

DER ER INGEN ANDEN UDTRYKKELIG GARANTI. TITAN FRALÆGGER SIG HEDMED ALLE OG ENHVER UNDERFORSTÅEDE GARANTIER INKLUSIVE, MEN IKKE BEGRÆNSET TIL GARANTIER VEDRØENDE SALGBARHED OG EGNETHED FOR ET SÆRLIGT FORMÅL, I DEN UDSTRÆKNING LOVEN TILLADER. VARIGHEDEN AF ALLE UNDERFORSTÅEDE GARANTIER, SOM IKKE KAN FRALÆGGES, ER BEGRÆNSET TIL DEN TIDSPERIODE, DER SPECIFICERES I DEN UDTRYKKELIGE GARANTI. UNDER INGEN OMSTÆNDIGHEDER SKAL TITANS ERSTATNINGSFORPLIGTELSE OVERSTIGE KØBSPRISEN. ERSTATNINGSFORPLIGTELSE FOR FØLGESKADE, TILFÆLDIGE ELLER SÆRLIGE SKADER UNDER ALLE OG ENHVER GARANTI ER UDELUKKET I DEN UDSTRÆKNING LOVEN TILLADER.

TITAN GIVER INGEN GARANTI OG FRALÆGGER SIG ALLE UNDERFORSTÅEDE GARANTIER FOR SALGBARHED OG EGNETHED FOR ET SÆRLIGT FORMÅL MED HENSYN TIL TILBEHØR, UDSYR, MATERIALER ELLER KOMPONENTER, SOM SÆLGES, MEN IKKE FREMSTILLES AF Titan (F.EKS. BENZINMOTORER, AFBRYDERE, SLANGER OSV.) DISSE UNDERLAGT GARANTIER, HVIS DE FINDES, FRA DERES PRODUCENT. Titan VIL YDE KØBEREN RIMELIG HJÆLP MED AT STILLE ETHVERT ERSTATNINGSKRAV FOR MISLIGHOLDELSE AF DE SIDSTNÆVNTE GARANTIER.

Garanti

Titan Tool, Inc., ("Titan") garanterar att, vid tidpunkten för leverans till den ursprungliga köparen ("Slutanvändare"), utrustningen som täcks av denna garanti är fri från material- och tillverkningsfel. Med undantag för någon speciell, begränsad eller utökad garanti utfärdad av Titan, är Titans skyldighet under denna garanti begränsad till kostnadsfritt utbyte eller reparation av de delar, enligt Titans rimliga tillfredställande, visar sig vara defekta inom tolv (12) månader efter försäljning till Slutanvändaren. Den här garantin gäller endast när enheten installeras och används enligt rekommendationer och anvisningar från Titan.

Garantin gäller inte i händelse av skada eller slitage som orsakats av slitage, korrosion eller felaktig användning, vårdslöshet, olyckshändelse, felaktig installation, användning av andra komponenter än Titan-komponenter, eller manipulering av enheten på ett sätt som försämrar normal drift.

Defekta delar returneras till en godkänd Titan-butik/verkstad. Alla fraktkostnader, inklusive retur till fabriken, vid behov, förskottsbetalas av Slutanvändaren. Reparerad eller utbytt utrustning returneras till Slutanvändaren i frakterat emballage.

DET FINNS INTE NÅGON ANNAN UTTRYCKT GARANTI. TITAN FRISKRIVER SIG HÄRMED FRÅN ALLA UNDERFÖRSTÅDDA GARANTIER, BLAND ANNAT DE ANGÅENDE SÄLJBARHET OCH LÄMPLIGHET FÖR ETT SPECIELLT ÄNDAMÅL, I DEN OMFATTNING LAGEN MEDGER DET. VARAKTIGHETEN FÖR EN UNDERFÖRSTÅDD GARANTI SOM INTE KAN FRISKRIVAS ÄR BEGRÄNSAD TILL DEN TIDSPERIOD SOM ANGES I DEN UTTRYCKTA GARANTIN. I INGET FALL SKA TITANS SKYLDIGHET ÖVERSKRIDA BELOPPET PÅ INKÖSPRISET. ANSVAR FÖR FÖLJDSKADOR, OFÖRUTSEDDA ELLER SPECIELLA SKADOR UNDER NÅGON GARANTI ÄR EXKLUDEERAT TILL DEN OMFATTNING LAGEN MEDGER.

TITAN LÄMNAR INGEN GARANTI OCH FRISKRIVER SIG FRÅN ALLA UNDERFÖRSTÅDDA GARANTIER ANGÅENDE SÄLJBARHET OCH LÄMPLIGHET FÖR ETT SPECIELLT ÄNDAMÅL MED HÄNSYN TILL TILLBEHÖR, UTRUSTNING, MATERIAL ELLER KOMPONENTER SOM SÄLJS MEN INTE TILLVERKAS AV TITAN. DE ARTIKLAR SOM SÄLJS, MEN INTE TILLVERKAS AV TITAN (T.EX. GASMOTORER, BRYTARE, SLANGAR ETC.) GÄLLER UNDER EVENTUELL GARANTI FRÅN DERAS TILLVERKARE. TITAN GER KÖPAREN RIMLIG ASSISTANS MED EVENTUELL YRKANDE OM ÖVERTRÄDANDE AV DESSA GARANTIER.



保修

Titan Tool, Inc., (“Titan”) 保证向原购买方交付使用产品 (“终端用户”) 时, 本保修涵盖的设备在材料和工艺方面没有缺陷。除了 Titan 发布的任何特殊、受限或延长的保修情况之外, 在本保修下的 Titan 的责任限于在 Titan 的合理满意度范围内, 对在向最终用户销售后的十二 (12) 个月内出现缺陷的零件进行免费更换或维修。本保修仅在按照 Titan 公司的建议和指示安装和运行设备的情况下适用。

本保修在以下情况下不适用: 由于摩擦、腐蚀或使用不当、不慎、事故、错误安装、更换非 Titan 元件零件或篡改设备影响正常运行造成损坏或磨损。

缺陷零件将退回经授权的 Titan 销售/服务出口。所有运输费用, 包括必要情况下返厂的费用, 应由最终用户承担和预付。最终用户支付过运输费用后, 将经过维修或更换的设备退还最终用户。

没有其他明确保证。TITAN 特此放弃所有暗示的保证, 包括但不限于在法律允许的范围内针对特定用途的宜售性和适合性。无法进行免责声明的任何暗示性保证的时长仅限于明确保证中规定的时段。在任何情况下, Titan 的责任都不应超出购买价格的数量。在任何以及所有保证下, 对于后果、事故性或特殊损坏的责任在法律允许的范围内被排除在外。

TITAN, 由 Titan 出售但不由 Titan 生产的配件、设备、材料或元件用于特定目的的宜售性和适合性不做任何担保, 并拒绝做出一切暗示性的担保。由 Titan 销售但不由 Titan 生产的物品 (如燃气发动机、开关、软管等) 都在其生产商 (若适用) 的保修范围内。TITAN 将为购买者提供合理的协助, 支持其对违背保修要求的情况提出任何申诉。



ГАРАНТИЯ

Titan Tool, Inc. (Titan) гарантирует, что с момента доставки первоначальному покупателю для пользования («Конечный потребитель») оборудование, подпадающее под действие данной гарантии, не имеет дефектов как в материалах, так и в качестве изготовления. Кроме случаев специальной, ограниченной или расширенной гарантий, опубликованных компанией Titan, обязательства компании Titan по данной гарантии ограничены безвозмездной заменой или ремонтом тех запчастей, дефект которых, к разумному удовлетворению компании Titan, был доказан в течение двенадцати (12) месяцев после продажи Конечному потребителю. Эта гарантия применяется только тогда, когда агрегат собран и эксплуатируется в соответствии с рекомендациями и инструкциями компании Titan.

Эта гарантия не применяется в случае повреждений или износа, вызванных истиранием, коррозией или нарушением правил эксплуатации, халатностью, аварией, неправильной установкой, заменой комплектующих сторонними производителями (не Titan) или вмешательством в работу агрегата, которое привело к нарушению нормальной эксплуатации.

Бракованные детали должны быть возвращены в официальный центр продаж или сервисного обслуживания Titan. Все затраты на транспортировку, включая, при необходимости, возврат на фабрику, возлагаются на Конечного потребителя и покрываются им заранее. Отремонтированное или замененное оборудование будет возвращено Конечному потребителю посредством предварительно оплаченной транспортировки.

НЕ СУЩЕСТВУЕТ ДРУГОЙ ПРЯМОЙ ГАРАНТИИ. НАСТОЯЩИМ КОМПАНИЯ TITAN ОТКАЗЫВАЕТСЯ ОТ ЛЮБОЙ ГАРАНТИИ И ВСЕХ ПОДРАЗУМЕВАЕМЫХ ГАРАНТИЙ, ВКЛЮЧАЯ, КРОМЕ ПРОЧИХ, СВЯЗАННЫЕ С ПРИГОДНОСТЬЮ ДЛЯ ПРОДАЖИ И ПРИГОДНОСТЬЮ ДЛЯ ОПРЕДЕЛЕННЫХ ЦЕЛЕЙ, В РАМКАХ, УСТАНОВЛЕННЫХ ЗАКОНОДАТЕЛЬСТВОМ. ДЛИТЕЛЬНОСТЬ ЛЮБЫХ ПОДРАЗУМЕВАЕМЫХ ГАРАНТИЙ, ОТ КОТОРЫХ НЕЛЬЗЯ ОТКАЗАТЬСЯ, ОГРАНИЧЕНА ПЕРИОДОМ ВРЕМЕНИ, УКАЗАННЫМ В ПРЯМОЙ ГАРАНТИИ. НИ В ОДНОМ ИЗ СЛУЧАЕВ ОБЯЗАТЕЛЬСТВА КОМПАНИИ TITAN НЕ МОГУТ ПРЕВЫШАТЬ СТОИМОСТЬ ПОКУПКИ. ОБЯЗАТЕЛЬСТВА ЗА КОСВЕННЫЕ, СЛУЧАЙНЫЕ ИЛИ ОСОБЫЕ УБЫТКИ ПО ВСЕМ ГАРАНТИЯМ ИСКЛЮЧАЮТСЯ В РАМКАХ УСТАНОВЛЕННОГО ЗАКОНОДАТЕЛЬСТВА.

КОМПАНИЯ TITAN НЕ ПРЕДОСТАВЛЯЕТ ГАРАНТИЮ И ОТКАЗЫВАЕТСЯ ОТ ВСЕХ ПОДРАЗУМЕВАЕМЫХ ГАРАНТИЙ ПРИГОДНОСТИ ДЛЯ ПРОДАЖИ И ПРИГОДНОСТИ ДЛЯ ОПРЕДЕЛЕННЫХ ЦЕЛЕЙ ПО ОТНОШЕНИЮ К ЗАПЧАСТЯМ, ОБОРУДОВАНИЮ, МАТЕРИАЛАМ ИЛИ КОМПОНЕНТАМ, ПРОДАННЫМ, НО НЕ ПРОИЗВЕДЕННЫМ КОМПАНИЕЙ TITAN. ЭТИ ЭЛЕМЕНТЫ (ТАКИЕ КАК ГАЗОВЫЕ ДВИГАТЕЛИ, ПЕРЕКЛЮЧАТЕЛИ, ШЛАНГИ И Т. П.), ПРОДАННЫЕ, НО НЕ ПРОИЗВЕДЕННЫЕ КОМПАНИЕЙ TITAN, ЯВЛЯЮТСЯ ПРЕДМЕТОМ ГАРАНТИИ (ЕСЛИ ТАКОВАЯ ИМЕЕТСЯ) ИХ ПРОИЗВОДИТЕЛЯ. КОМПАНИЯ TITAN ПРЕДОСТАВЛЯЕТ ПОКУПАТЕЛЮ РАЗУМНУЮ ПОМОЩЬ В ПОДАЧЕ ПРЕТЕНЗИЙ В СВЯЗИ С НАРУШЕНИЕМ ТАКИХ ГАРАНТИЙ.



GARANTIA

A Titan Tool, Inc., (“Titan”) garante que, no momento da entrega ao comprador original para seu uso (“Usuário Final”), o equipamento coberto por esta garantia está livre de defeitos de material e mão de obra. Com exceção de qualquer garantia especial, limitada ou estendida publicada pela Titan, a obrigação da Empresa com relação a esta garantia limita-se a substituir ou reparar gratuitamente as peças que, de acordo com os critérios razoáveis da Titan, demonstrem defeito dentro de 12 (doze) meses após a venda ao Usuário Final. Esta garantia é aplicável somente quando a unidade é instalada e operada de acordo com as recomendações e instruções da Titan.

Esta garantia não se aplica no caso de danos ou desgaste causados por abrasão, corrosão ou uso indevido, negligência, acidente, falha de instalação, substituição por peças de componentes não fabricadas pela Titan ou adulteração da unidade de modo a impedir seu funcionamento normal.

As peças defeituosas deverão ser encaminhadas a um ponto autorizado de venda/serviço da Titan. Todos os custos de transporte, incluindo a devolução à fábrica, caso necessário, serão de responsabilidade e pré-pagos pelo Usuário Final. O equipamento substituído ou reparado será encaminhado pelo transporte pré-pago ao Usuário Final.

NÃO HÁ QUALQUER OUTRA GARANTIA EXPRESSA. POR MEIO DESTES DOCUMENTOS, A TITAN SE ISENTA DE TODAS E QUAISQUER GARANTIAS IMPLÍCITAS INCLUINDO, SEM LIMITAÇÃO, GARANTIA DE COMERCIALIZAÇÃO E ADEQUAÇÃO A UMA FINALIDADE ESPECÍFICA, NA MEDIDA PERMITIDA PELA LEI. A DURAÇÃO DE QUAISQUER GARANTIAS IMPLÍCITAS QUE NÃO POSSAM TER ISENÇÃO DE RESPONSABILIDADE LIMITA-SE AO PERÍODO ESPECIFICADO NA GARANTIA EXPRESSA. EM NENHUMA CIRCUNSTÂNCIA A RESPONSABILIDADE DA TITAN ULTRAPASSARÁ O VALOR DO PREÇO DE COMPRA. A RESPONSABILIDADE POR DANOS EMERGENTES, INCIDENTAIS OU ESPECIAIS, SOB TODAS E QUAISQUER GARANTIAS, FICA EXCLUÍDA NA MEDIDA PERMITIDA PELA LEI.

A TITAN NÃO GARANTE E SE ISENTA DE TODAS AS GARANTIAS IMPLÍCITAS DE COMERCIALIZAÇÃO E ADEQUAÇÃO A UMA FINALIDADE ESPECÍFICA PARA ACESSÓRIOS, EQUIPAMENTOS, MATERIAIS OU COMPONENTES QUE SEJAM VENDIDOS, MAS NÃO FABRICADOS PELA TITAN. TAIS ITENS VENDIDOS, MAS NÃO FABRICADOS PELA TITAN (COMO MOTORES, INTERRUPTORES, MANGUEIRAS ETC.) ESTÃO SUJEITOS À GARANTIA DO RESPECTIVO FABRICANTE, SE HOUVER. A TITAN FORNECERÁ AO COMPRADOR ASSISTÊNCIA RAZOÁVEL PARA A REALIZAÇÃO DE QUALQUER QUEIXA QUANTO À VIOLAÇÃO DESSAS GARANTIAS.

Declaration of Conformity
Lazy Liner USA/Fine Line Industries
4226 Allmond Ave
Louisville Ky 40209
502-638-2111



Category Machinery

Make: Lazy Liner 2EX and Econo (Titan Elite and Pro)

Manufacture year: 2023

**Engine(s):ESX. (Titan Elite) Honda, 6.5 HP. Electric start. Horizontal Shaft.
Econo (Titan Pro) Honda 5.5 Hp. Recoil start. Horizontal shaft**

**Tested by: Fine Line Industries/Lazy Liner USA. Louisville Ky. USA
502-638-2111**

**Conforms to provisions applying to it: 2006/42EC
Applied harmonized standards, in particular EN ISO 12100:2010**

**Operational test speed 2800-3000 rpms (recommended operational test
speed)**

**Noise level at running speed: LL2ESX (Titan Elite) 79-83 dB(A)
LL2Econo (Titan Pro) 79-86 dB(A)**

**Description of machinery: rear drive dual wheel design, ridden on tractor
Propulsion unit for application with manually steerable utility implement.**

**The undersigned: William neuling
Todd hatfield
Fine Line Industries/Lazy Liner USA**



TITAN[®]

LAZYLINER[™]
PRO / ELITE

UNITED STATES SALES & SERVICE

WEB: www.titantool.com

PHONE: 1-800-526-5362

1770 Fernbrook Lane

Minneapolis, MN 55447

INTERNATIONAL

WEB: www.titantool-international.com