



TITAN®

OPERATION MANUAL

HYDRA M™ HYDRA PRO SUPER™

- EN - OPERATION MANUAL

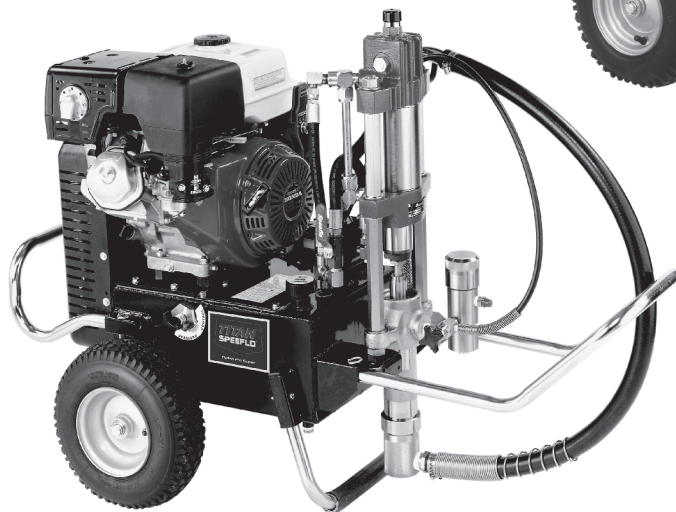
2

GAS POWERED AIRLESS SPRAYER

Model Numbers:

Hydra M 4000™ 433-800 (roofer model)
 433-801 (painter model)

Hydra Pro Super™ 433-810



Important Safety Information



Read all safety information before operating the equipment. Save these instructions.



Indicates a hazardous situation which, if not avoided, could result in death or serious injury.

To reduce the risks of fire or explosion, electrical shock and the injury to persons, read and understand all instructions included in this manual. Be familiar with the controls and proper usage of the equipment.



WARNING: EXPLOSION OR FIRE

Flammable vapors, such as solvent and paint vapors, in work area can ignite or explode.

PREVENTION:

1. Use equipment only in well ventilated area. Keep a good supply of fresh air moving through the area to keep the air within the spray area free from accumulation of flammable vapors. Keep pump assembly in well ventilated area. Do not spray pump assembly.
2. Do not fill fuel tank while engine is running or hot; shut off engine and allow to cool. Fuel is flammable and can ignite or explode if spilled on a hot surface.
3. Eliminate all ignition sources, such as pilot lights, cigarettes, portable electric lamps and plastic drop cloths (potential static arc).
4. Keep work area free of debris, including solvent, rags and gasoline.
5. Do not plug or unplug power cords, or turn power or light switches on or off when flammable vapors are present.
6. Ground equipment and conductive objects in work area. Make sure the grounding cable (not equipped) is connected from the grounding lug to a true earth ground.
7. Use only grounded hoses.
8. Hold spray gun firmly to the side of a grounded pail when triggering into pail.
9. If there is static sparking or if you feel a shock, **stop operation immediately.**
10. Know the contents of the paint and solvents being sprayed. Read all Safety Data Sheets (SDS) and container labels provided with the paints and solvents. Follow the paint and solvent manufacturer's safety instructions.
11. Do not use a paint or solvent containing halogenated hydrocarbons. Such as chlorine, bleach, mildewcide, methylene chloride and trichloroethane. They are not compatible with aluminum. Contact the coating supplier about compatibility of material with aluminum.
12. Keep a fire extinguisher in work area.



WARNING: INJECTION INJURY

A high pressure paint stream produced by this equipment can pierce the skin and underlying tissues, leading to serious injury and possible amputation. See a physician immediately.

PREVENTION:

1. Do not aim the gun at, or spray any person or animal.
2. Keep hands and other body parts away from the discharge. For example, do not try to stop leaks with any part of the body.
3. Always use the nozzle tip guard. Do not spray without the nozzle tip guard in place.

4. Only use a nozzle tip specified by the manufacturer.
5. Use caution when cleaning and changing nozzle tips. In the case where the nozzle tip clogs while spraying, ALWAYS lock gun trigger, shut pump off, and release all pressure before servicing, cleaning tip or guard, or changing tip. Pressure will not be released by turning off the motor. The PRIME/SPRAY valve or pressure bleed valve must be turned to their appropriate positions to relieve system pressure. Refer to PRESSURE RELIEF PROCEDURE described in the pump manual.
6. Do not leave the unit energized or under pressure while unattended. When the unit is not in use, turn off the unit and relieve the pressure in accordance with the manufacturer's instructions.
7. High-pressure spray is able to inject toxins into the body and cause serious bodily injury. In the event that injection occurs, seek medical attention immediately.
8. Check hoses and parts for signs of damage, a leak can inject material into the skin. Inspect hose before each use. Replace any damaged hoses or parts.
9. This system is capable of producing 3300 PSI / 22.8 MPa. Only use replacement parts or accessories that are specified by the manufacturer and that are rated a minimum of 3300 PSI. This includes spray tips, nozzle guards, guns, extensions, fittings, and hose.
10. Always engage the trigger lock when not spraying. Verify the trigger lock is functioning properly.
11. Verify that all connections are secure before operating the unit.
12. Know how to stop the unit and bleed pressure quickly. Be thoroughly familiar with the controls. Pressure will not be released by turning off the motor. The PRIME/SPRAY valve or pressure bleed valve must be turned to their appropriate positions to relieve system pressure. Refer to PRESSURE RELIEF PROCEDURE described in the pump manual.
13. Always remove the spray tip before flushing or cleaning the system.

NOTE TO PHYSICIAN:

Injection into the skin is a traumatic injury which can lead to possible amputation. It is important to treat the injury as soon as possible. DO NOT delay treatment to research toxicity. Toxicity is a concern with some coatings injected directly into the blood stream. Consultation with a plastic surgeon or reconstructive hand surgeon may be advisable.



WARNING: GENERAL

Can cause severe injury or property damage.

PREVENTION:

1. Always wear appropriate gloves, eye protection, clothing and a respirator or mask when painting. Hazardous vapors – Paints, solvents, insecticides, and other materials can be harmful if inhaled or come in contact with body. Vapors can cause severe nausea, fainting or poisoning.
2. Do not operate or spray near children. Keep children away from equipment at all times.
3. Do not overreach or stand on an unstable support. Keep effective footing and balance at all times.
4. Stay alert and watch what you are doing.
5. Do not operate the unit when fatigued or under the influence of drugs or alcohol.
6. Do not kink or over-bend the hose. Airless hose can develop leaks from wear, kinking and abuse. A leak can inject material into the skin.

Important Safety Information

7. Do not expose the hose to temperatures or pressures in excess of those specified by manufacturer.
8. Do not use the hose as a strength member to pull or lift the equipment.
9. Use lowest possible pressure to flush equipment.
10. Follow all appropriate local, state and national codes governing ventilation, fire prevention and operation.
11. The United States Government Safety Standards have been adopted under the Occupational Safety and Health Act (OSHA). These standards, particularly part 1910 of the General Standards and part 1926 of the Construction Standards should be consulted.
12. Before each use, check all hoses for cuts, leaks, abrasion or bulging of cover. Check for damage or movement of couplings. Immediately replace hose if any of those conditions exist. Never repair a paint hose. Replace with a conductive high-pressure hose.
13. Do not spray outdoors on windy days.
14. Always unplug cord from outlet before working on equipment (electric models only).

IMPORTANT: Do not lift cart handle when loading or unloading.

Gasoline Engine Safety



The engine exhaust from this unit contains chemicals known to the State of California to cause cancer, birth defects, or other reproductive harm.

1. Gas engines are designed to give safe and dependable service if operated according to instructions. Read and understand the engine Owner's Manual before operating the engine. Failure to do so could result in personal injury or equipment damage.
2. To prevent fire hazards and to provide adequate ventilation, keep the engine at least 1 meter (3 feet) away from buildings and other equipment during operation. Do not place flammable objects close to the engine.
3. Children and pets must be kept away from the area of operation due to a possibility of burns from hot engine components or injury from any equipment the engine may be used to operate.
4. Know how to stop the engine quickly, and understand the operation of all controls. Never permit anyone to operate the engine without proper instructions.
5. Gasoline is extremely flammable and is explosive under certain conditions.
6. Refuel in a well-ventilated area with the engine stopped. Do not smoke or allow flames or sparks in the refueling area or where gasoline is stored.
7. Do not overfill the fuel tank. After refueling, make sure the tank cap is closed properly and securely.
8. Be careful not to spill fuel when refueling. Fuel vapor or spilled fuel may ignite. If any fuel is spilled, make sure the area is dry before starting the engine.
9. Never run the engine in an enclosed or confined area. Exhaust contains poisonous carbon monoxide gas; exposure may cause loss of consciousness and may lead to death.
10. The muffler becomes very hot during operation and remains hot for a while after stopping the engine. Be careful not to touch the muffler while it is hot. To avoid severe burns or fire hazards, let the engine cool before transporting it or storing it indoors.
11. Never ship/transport unit with gasoline in the tank.

Warning Labels

Your sprayer has the English language warning labels. If you require these labels in French, German, or Spanish, or require additional English labels, order directly from Titan free of charge.

Part #	Language
745-089 745-104	English
745-106 745-107	Spanish
745-108 745-109	French
745-110 745-111	German

Table of Contents

Safety Precautions	2
Specifications	4
Introduction	5
Hydra M 4000™.....	5
Setup	6
Fueling (gas engine).....	6
Battery Connections.....	6
Operation	6
Startup.....	8
Pressure Relief Procedure.....	8
Cleaning a Clogged Tip.....	9
Color Change / Clean Out.....	9
Maintenance	9
Hydraulic System.....	9
General Fluid Pump Maintenance.....	9
Basic Engine Maintenance.....	10
Troubleshooting	11
Airless Spraying.....	11
Spray Patterns.....	11
Hydraulic Motors.....	12
Fluid Sections.....	13
Parts Lists and Service Instructions	14
Hydra M 4000™ Major Components.....	14
Engine Drive & Hydraulic System.....	16
Tank Assembly and Mobil Kit.....	18
Hydraulic motor, 441-575 & 441-576.....	20
Fluid Pump, Hydra M 4000™, 245-555.....	24
Fluid Accessories.....	26
Outlet Accessories.....	28
Accessories and Service Kits	30
Warranty	32

Specifications

Hydra M 4000™

Gallons per minute (GPM)	3.3
Cycle rate per gallon	13
Cycles per minute (max)	43
Maximum tip size:	
1-Gun	.060"
2-Gun	.040"
3-Gun	.035"
Pressure range	500-4000 psi
Power	11 HP Honda engine, electric start
Fuel capacity	1.6 gallons
Weight	361 lbs
Inlet paint filter	1 1/4" rock catcher
Outlet paint filter	50 mesh, 18in ²
Pump inlet	1 1/4"
Pump outlet	1/2" NPT(F)
Paint filter hose connections	(1) - 1/4" NPSM(M) (1) 3/8" NPT(F) Plugged
Dimensions	38" H x 52" L w/handle (32" w/o handle) x 24 1/2" W

Fluid Pump Wetted Parts:

Electroless nickel plated ductile iron, electroless nickel plated carbon steel, proprietary hard chrome anti-wear surface, stainless steel, tungsten carbide, PTFE, thiokol impregnated leather, ultra high molecular weight polyethylene.

Hydra M Pro Super™

Gallons per minute (GPM)	2.5
Cycle rate per gallon	24
Cycles per minute (max)	60
Maximum tip size:	
1-Gun	.050"
2-Gun	.035"
3-Gun	.029"
Pressure range	500-4500 psi
Power	11 HP Honda engine, electric start
Fuel capacity	1.6 gallons
Weight	354 lbs
Inlet paint filter	1" rock catcher
Outlet paint filter	50 mesh, 18in ²
Pump inlet	1"
Pump outlet	1/2" NPT(F)
Paint filter hose connections	(1) - 1/4" NPSM(M) (1) 3/8" NPT(F) Plugged
Dimensions	38" H x 52" L w/handle (32" w/o handle) x 24 1/2" W

Fluid Pump Wetted Parts:

Electroless nickel plated ductile iron, electroless nickel plated carbon steel, proprietary hard chrome anti-wear surface, stainless steel, tungsten carbide, PTFE, thiokol impregnated leather, ultra high molecular weight polyethylene.

Introduction

Congratulations on having selected the finest airless sprayer available in the world. Titan piston pumps are tireless workhorses - so tough they are virtually indestructible, even under the most severe service.

Titan designs and builds equipment with superior quality and reliability. Equipment that will last for years with minimal maintenance and downtime. This equipment will make you money year after year. We thank you for your purchase and welcome you to our large and growing family of Titan users.

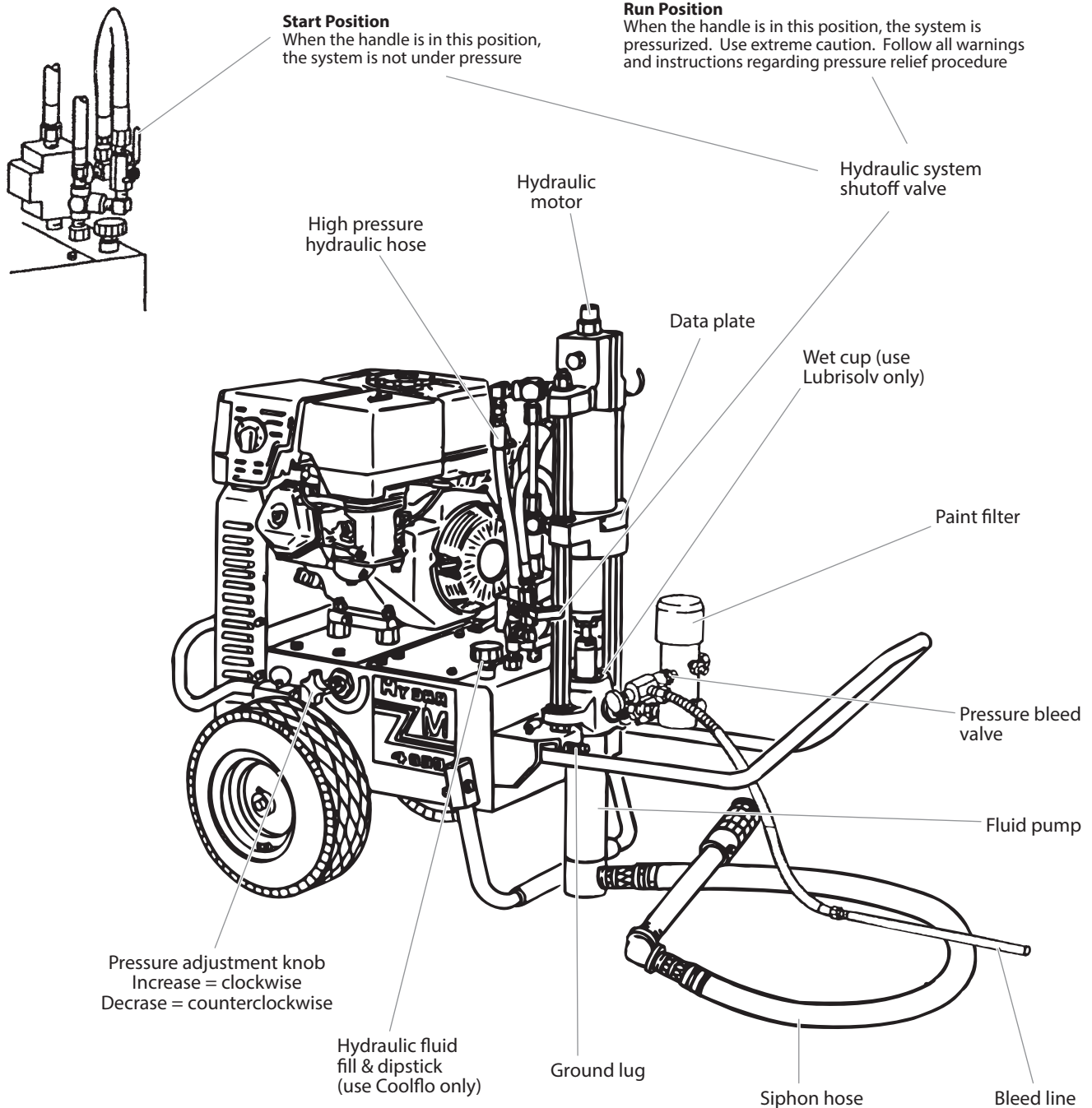
Hydraulic drive makes possible the longest stroke and slowest cycling pumps in the industry which translates into low maintenance and longer life.

Hydra M 4000™

The Hydra M 2000 and 4000™ offer other cost saving features:

- Variable pressure control
- Very large tungsten carbide valve seats with hardened stainless steel balls
- Self-adjusting packings
- Exclusive hand-tight swivel foot valve
- Large capacity inline paint filter
- "Floating ball" pressure bleed valve
- 5 gallon siphon hose and bleed line assemblies are standard

You have made an excellent choice. We know you will be pleased with your new Hydra M™ airless sprayer. We appreciate your business.



Setup

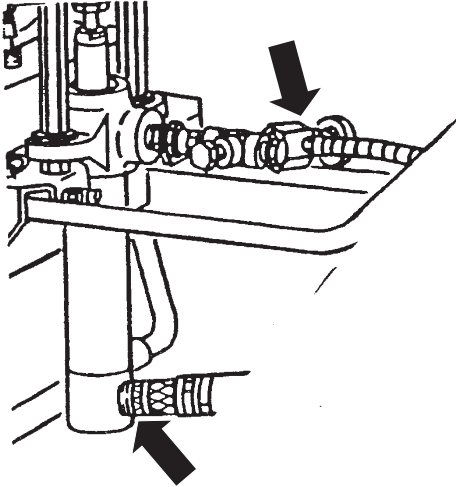


Read, understand, and follow all warnings before starting or operating this sprayer.

Required tools: Adjustable wrench

1. **Connecting the hoses:**

The siphon hose and bleed line hose have factory installed PTFE tape on the male end of the hoses. Tighten the siphon hose and bleed line wrench tight.



2. **One gun operation:**

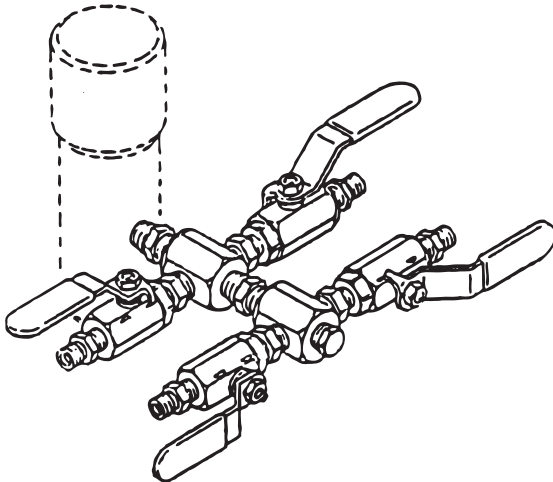
Attach the gun and hose. Always use a spray hose at least 50 feet long. Do not use PTFE or thread sealant on this assembly. Do not install the spray tip at this time.

3. **Two gun operation:**

Remove the plug from the second gun outlet. Replace with nipple, part # 812-003 for 1/4" hose or nipple; use part # 808-555 for 3/8" hose. Connect a hose and a gun to the outlet.

4. **Multiple gun operation:**

The Hydra M 4000™ is engineered to handle up to 4 guns. When using more than two guns, make sure the second gun hookup outlet is plugged. Connect the multiple gun manifold to the single gun outlet. These manifolds are for either 2, 3, or 4 guns and have shutoff valves. Connect a hose and gun to each outlet.



5. **Fill the wet-cup 1/2 full with Titan's Lubrisolv, part # 310-203 supplied by the factory. This extends packing life.**

6. Be sure the Hydra M 4000 / 2000™ system is grounded. All Titan units are equipped with a grounding lug. A grounding cable (not supplied) should be used to connect the unit to a true earth ground. Check your local electrical regulations for detailed grounding instructions.



Proper grounding is important. This applies to both gas and electric powered models. The passage of some materials through the nylon fluid hose will build up a static electric charge, which if discharged, could ignite solvent vapors present and create an explosion.

7. Strain all paints to assure trouble-free operation and freedom from frequent cleaning of inlet screen and gun strainer.

Operation

Fueling (gas engine)



Gasoline is extremely flammable and is explosive under certain conditions.

- ALWAYS turn the engine off before refueling.
- Refuel in a well-ventilated area.
- Do not smoke or allow flames or sparks in the refueling area or where gasoline is stored.
- Do not overfill the fuel tank. After refueling, make sure the tank cap is closed properly and securely.
- Be careful not to spill fuel when refueling. Spilled fuel or fuel vapor may ignite. If any fuel is spilled, make sure the area is dry before starting the engine.
- Avoid repeated or prolonged contact with skin or breathing of vapor.
- Keep out of the reach of children.

Fuel Specifications

- Use automotive gasoline that has a pump octane number of 86 or higher, or that has a research octane number of 91 or higher. Use of a lower octane gasoline can cause persistent "pinging" or heavy "spark knock" (a metallic rapping noise) which, if severe, can lead to engine damage.

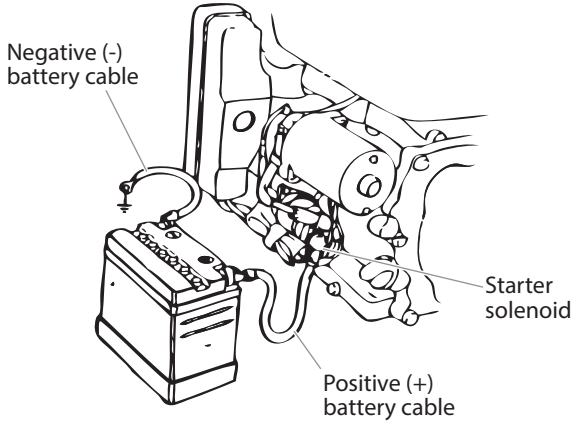
NOTE: If "spark knock" or "pinging" occurs at a steady engine speed under normal load, change brands of gasoline. If spark knock or pinging persists, consult an authorized dealer of the engine manufacturer. Failure to do so is considered misuse, and damage caused by misuse is not covered by the engine manufacturer's limited warranty.

Occasionally you may experience light spark knock while operating under heavy loads. This is no cause for concern, it simply means your engine is operating efficiently.

- Unleaded fuel produces fewer engine and spark plug deposits and extends the life of the exhaust system components.
- Never use stale or contaminated gasoline or an oil/gasoline mixture. Avoid getting dirt, dust, or water in the fuel tank.

Battery Connections

1. Use a 12 volt battery with an ampere-hour rating of at least 18AH.
2. Connect the battery positive (+) cable to the starter solenoid terminal as shown.
3. Connect battery negative (-) cable to an engine mounting bolt, frame bolt, or other good engine ground connection.
4. Check the battery cable connections to be sure the cables are tightened and free of corrosion. Remove any corrosion and coat the terminals and cable ends with grease.

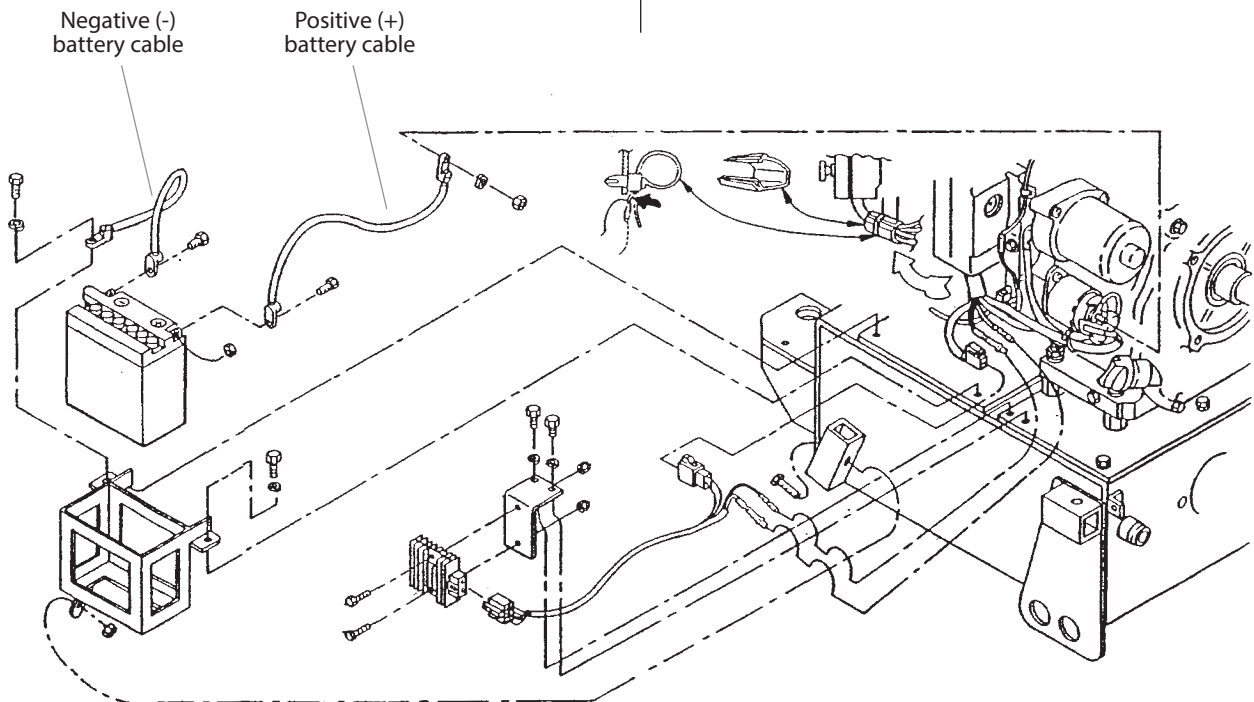


The battery gives off explosive gases; keep sparks, flames and cigarettes away. Provide adequate ventilation when charging or using batteries in an enclosed space.



The battery contains sulphuric acid (electrolyte). Contact with skin or eyes may cause severe burns. Wear protective clothing and a face shield.

- If electrolyte gets on your skin, flush with water.
- If electrolyte gets in your eyes, flush with water for at least 15 minutes and call a physician.
- Electrolyte is poisonous. If swallowed, drink large quantities of water or milk and follow with milk of magnesia or vegetable oil and call a physician.
- Keep out of reach of children.



Filling the Battery

Due to shipping regulations, the battery in your Hydra has been shipped to you empty. Before using the Hydra, the battery must be filled with electrolyte (acid) and then charged. Follow the instructions below.

NOTE: Battery electrolyte can be purchased at your local hardware or auto parts retailer.



Battery electrolyte is very hazardous. Make sure to follow all precautions and warnings on the electrolyte container.

Electrolyte specifications

In cool or temperate climates, purchase electrolyte with a specific gravity of 1.270 - 1.280.

In tropical climates, purchase electrolyte with a specific gravity of 1.250 - 1.260.

Fill the battery

1. Remove the battery from the holder.
2. Remove rubber sealing cap from the exhaust opening on the side of the battery.
3. Replace the rubber sealing cap with the exhaust tube provided (this can be found in the plastic bag containing the instruction manual and other literature).
4. Remove the six (6) yellow filling caps on top of the battery.
5. Fill the battery with electrolyte in each of the filling ports (see "Electrolyte specifications", above). Fill the battery to the upper level as indicated on the battery case.

IMPORTANT: The electrolyte temperature must not be lower than 60° F (15° C) or higher than 86° F (30° C).

6. Allow the battery to stand for at least 30 minutes after filling.
7. After 30 minutes, check electrolyte level. If the level has fallen, refill to the upper level prior to charging.
8. Replace the yellow filling caps.
9. Replace the battery onto the holder.

Charge the battery

1. Place the battery on a charge for 3 to 5 hours at the approximate current equivalent to 1/10th of its rated capacity.
 - a. If electrolyte level falls after charging, fill with distilled water to upper level.
 - b. After water is added, continue charging for 1 to 2 hours in order to mix the water with the electrolyte.
2. After charging, check the battery voltage three times at 30 minute intervals. Make sure the voltage is constant over the three readings.
3. Replace the filler plugs (if needed) and wash off any electrolyte spillage with clean water.

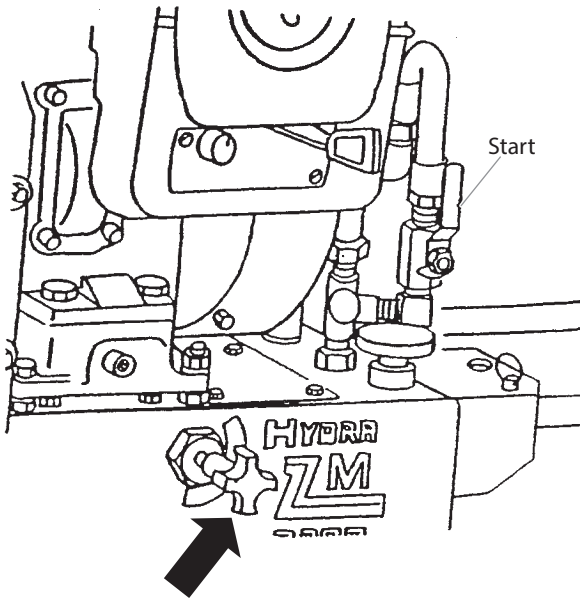
Startup

1. Areas must be well-ventilated to prevent hazardous operation with volatile solvents or exhaust fumes.



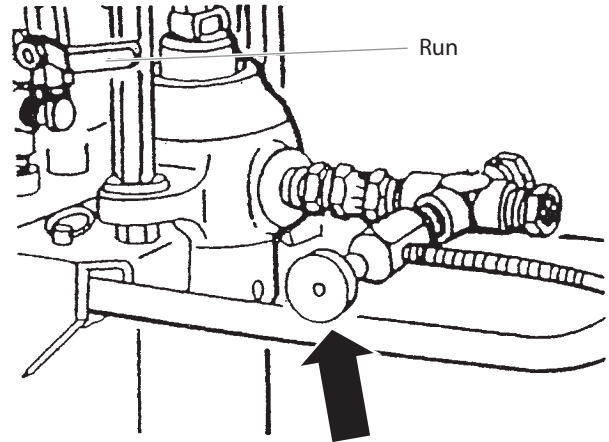
If lacquer or other flammable materials are to be sprayed, ALWAYS locate the unit outside the immediate spraying area. Failure to do so may cause an explosion.

2. Locate the unit outside the immediate spraying area to avoid clogged air intake of the engine or electric motor with overspray.
3. **Before starting the unit**, check oil levels:
 - a. The hydraulic fluid level should read "Full" on the dipstick. Check it daily. See the hydraulic system maintenance instructions for changing or adding hydraulic fluid. Do not overfill. Use only Titan Coolflo™, part no. 430-361.
 - b. The gasoline engine oil level is determined by the manufacturer. Check the manufacturer's service manual supplied.
4. Open the orange handle shut-off valve located on the hydraulic return hose. Handle should be in line with hose. The figure below shows the handle in the open position.



5. Turn the pressure adjustment knob counterclockwise to lowest pressure setting. See figure above.
6. Open the pressure bleed valve by turning it counterclockwise. This relieves pressure. See figure below.
 - a. Your new sprayer was tested at the factory with water soluble oil. You must clean the system before spraying to avoid contamination of the sprayed material.
If you are spraying a water-based latex, flush with warm, soapy water followed by a clean water rinse.
If you are using any other coating, flush with warm, soapy water followed by a solvent. Check with the material manufacturer for a compatible solvent.
Place siphon tube assembly into proper solvent or water.
 - b. Place waste container below bleed line.

- c. Start engine. Turn pressure control adjustment knob clockwise (increasing pressure) until pump cycles evenly and solvent flows freely from bleed line.
- d. Close pressure bleed valve by turning it clockwise. This allows the system to pressurize. Hold gun trigger open, without spray tip attached, until the fluid flows smoothly. See figure below.



7. Repeat above starting procedure with paint material. Lock gun trigger and attach spray tip. See the Technical Data Sheet or Operator's Manual on the gun provided for installation and selection of the proper tip sizes.
8. Test spray pattern. Operate the pump at the lowest hydraulic pressure which provides good atomization. See the Troubleshooting Guide if you are not getting the proper pattern.
9. Operating pressure is adjustable from 500 to 2000 psi for the Hydra M 2000™, from 500 to 4000 psi for the Hydra M 4000™ and from 500 to 4500 psi for the Hydra Pro Super™. Turn the pressure adjustment knob clockwise to increase pressure. Do not turn the knob clockwise more than necessary to provide satisfactory atomization. Excess pressure wears out spray tips.
10. When restarting the unit, reduce the pressure at pressure control adjustment knob and pressure bleed valve.

Pressure Relief Procedure

IMPORTANT: Always reduce pressure when you are cleaning a clogged tip, changing a tip, servicing any part of the system, or shutting down. Follow the steps below.

1. Engage the gun trigger lock.
2. Shut off the power source.
3. Close the orange handle shut-off ball valve on the hydraulic hose.
4. Open the pressure bleed valve by turning it counterclockwise at least three full turns.
5. Disengage the gun trigger lock and hold trigger open until flow of material stops.
6. Be certain to hold a metal part of the gun firmly to the side of a grounded metal container.

Cleaning a Clogged Tip

1. Follow the Pressure Relief Procedure, page 9.
2. Lock the gun trigger.
3. Unthread the safety tip guard and remove the spray tip. Wash the tip in solvent and use a tip probe to remove any clogged material.
4. Release the gun trigger lock and spray briefly into a waste container to blow out any clogged particles.
5. Reset the trigger lock in the "Trigger Locked" position. Release the trigger lock and resume spraying.



The flow from the spray tip is at very high pressure. Contact with any body part may be dangerous. Do not place finger on gun outlet. Do not point the gun at any person. Never operate the spray gun without the proper tip guard.

Color Change / Clean Out

IMPORTANT: Use only compatible solvents when cleaning out oil based enamels, lacquers, coal tar, and epoxies. Check with the fluid manufacturer for a recommended solvent.

1. Reduce pressure by turning the pressure adjustment knob and the pressure bleed valve on the bleed line counterclockwise. Follow the Pressure Relief Procedure, page 9.
The pressure bleed valve should be turned counter-clockwise three full turns.
2. Pull the siphon tube out of the material container.
3. Remove the spray tip from the gun. Hold the gun trigger open until material flow stops.
4. Put siphon tube into wash solvent or water as applicable, and operate pump slowly at low pressure until solvent flows freely from pressure bleed valve line.
5. Close pressure bleed valve and hold gun trigger open until solvent flows freely from gun. If solvent is not too dirty, recirculate it by flowing gun stream back into solvent container. Use additional clean solvent and repeat procedure if necessary.
6. Check gun strainer screen and pump outlet filter screen daily. Use 50 mesh screens with spray tip size .017 and larger. Use 100 or 200 mesh screens with spray tip sizes .015 and smaller.
7. Replace paint filter cap to maximize clockwise rotation. The filter cover should be hand removable after the first or second use with new Telfon O-ring.

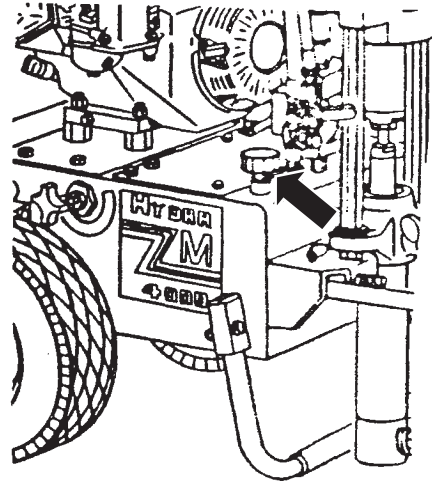
IMPORTANT: O-ring must have PTFE backup washer to seal properly.

8. If unit has been spraying a water soluble material, flush with water and then repeat procedure with mineral spirits or Varsol solvent.
9. Wash spray tip in solvent. Blow tip clean with air pressure directed through the tip in the reverse direction.

Maintenance

Hydraulic System

1. Check the hydraulic fluid daily. It should read "Full" on the dipstick. If it is low, add only Titan Coolflo, part # 430-361. Never add or change hydraulic fluid except in a clean, dust-free environment. Contamination of the hydraulic fluid will shorten hydraulic pump life and may void warranty.



2. Change the hydraulic fluid every six months. Drain old fluid from tank and fill with 5 gallons of Coolflo. Start operation of the system at just enough pressure to operate the fluid pump. Run the system at this low pressure for at least 10 minutes. This removes air from the system. Check the fluid level after this procedure.
3. The hydraulic system has an external replaceable hydraulic filter. Change the filter every six months.
4. The hydraulic pump should not be serviced in the field. If service on the hydraulic pump is required, it must be returned to Titan.

General Fluid Pump Maintenance

If the paint pump is going to be out of service for an extended period of time, it is recommended that following cleanup a kerosene and oil mixture be introduced as a preservative. Packings may tend to dry out from lack of use. This is particularly true of the upper packing set for which upper packing lubricant, **Piston Lube**, Titan part # 314-480, is recommended in normal usage. A sample of **Piston Lube** accompanies each new unit. Do not substitute water or paint solvent for **Piston Lube**. Ordinary oil may contaminate the paint material and is not recommended.

If the paint pump has been out of service for an extended period of time, it may be necessary to prime the suction by pouring some of the paint solvent into the inlet siphon tube to restart. **It is extremely important that the threads on the inlet siphon hose coupling are properly sealed. Any air leakage will produce erratic operation of pump and may damage the system.** The up and down strokes should be approximately equal in time. That is, one should not be faster than the other. A fast up or down stroke may indicate air in the system or malfunctioning valve or seats. See the Troubleshooting Guide.

Hydraulic Motor & Fluid Pump Service

See the individual Technical Data Sheets for maintenance and service instructions on the reciprocating hydraulic motor and the fluid pump.

Basic Engine Maintenance

- For detailed engine maintenance and technical specifications refer to the separate gasoline engine manual.
- All service to the engine should be performed by a dealer authorized by the engine manufacturer. To locate a dealer in your area, look in the Yellow Pages of your telephone directory under Gasoline Engines, Garden & Lawn Equipment & Supplies, Lawn Mowers, etc.
- The gas engine is warranted exclusively by the engine manufacturer.
- Use a premium quality motor oil certified to meet or exceed U.S. Automotive requirement SG.or SF. SAE 10W30 is recommended for general all temperature use. Other viscosities may be required in other climates.
- Use only a (NGK) BP6ES or BPR6E spark plug. Gap the plug to 0.028 to 0.031 In. (0.7 to 0.8 mm) Always use a spark plug wrench.

Daily

1. Check engine oil level, and fill as necessary.
2. Check gasoline level, and fill as necessary.



Always follow the fueling procedure outlined earlier in this manual.

First 20 Hours

1. Change engine oil.

Every 100 Hours

1. Change engine oil.
2. Clean the sediment cup.
3. Clean and re-gap the spark plug.
4. Clean the spark arrestor.

Weekly

1. Remove the air filter cover and clean the element. In very dusty environments, check the filter daily. Replace the element as needed. Replacement elements can be purchased from your local engine dealer.






Engine Operation and Service

1. Clean and oil air filter pad on gasoline engine every 25 hours or once weekly. Do not permit the air intake screen around the fly wheel of the gas engine to load up with paint or trash. Clean it regularly. The service life and efficiency of the gas engine model depends upon keeping the gasoline engine running properly. Change the oil in the engine every 100 hours. Failure to observe this may result in engine overheating. Consult the engine manufacturer's service manual provided.
2. To conserve fuel, service life, and efficiency of the sprayer, always operate the gasoline engine at the lowest RPM at which it runs smoothly without laboring and delivers the amount required for the particular painting operation. Higher RPM does not produce higher working pressure. The gasoline engine is connected to the hydraulic pump by a pulley combination designed to produce full paint delivery at maximum RPM.
3. The warranty on gasoline engines or electric motors is limited to the original manufacturer.

Troubleshooting - Airless Spraying

Condition	Possible Cause	Correction
A. Poor spray pattern and / or tails at top and bottom of the spray pattern.	Worn or incorrect tip and/or insufficient atomization. Hose size or length is too small or too long. Dirty filter.	Be sure the tip is not worn. Increase pressure. Lower viscosity. Reduce surface tension by increasing hose size to minimize pressure drop through hose and/or reduce hose lengths. Use preorifice disc (H disc).
B. The gun drips or throws a drop at the beginning or end of the spray pattern.	Needle may not be seating correctly. Increase spring tension.	Needle-orifice combination should be factory relapped. Needle packing may be too tight. Loosen as much as possible without leakage. Turn adjusting screw on back of gun clockwise to increase tension or use the green HP spring Part # 701-098.
C. Spray tip stops up frequently.	Particles too large for spray tip are passing filter and/or gun screen.	Use 100 mesh gun screen instead of 50 mesh for small spray tips. Use 100 mesh screen in pump filter. Strain paint.
D. Spray pattern changes with pump cycle.	Restrictions in the fluid system.	Check gun and pump filter screens. Always clean screens before they load up.
E. Irregular flow of material. One stroke faster than the other.	Packings are worn or valve balls are not seating. Restriction in the siphon system.	Check siphon hose assembly to be sure no air is entering, then recheck all threaded fittings for leakage. See Troubleshooting - Fluid Section for additional service information.
F. Spitting.	Air in system. Dirty gun.	Inspect for siphon hose leak. Disassemble and clean gun.
G. Gun does not spray any fluid.	Suction hose leak. No paint. Plugged foot valve. Plugged filters or tip. Ball check valve stuck open.	Inspect for siphon hose leak. Check fluid supply. Remove, clean, inspect foot valve. Clean filters or tip. Clean and inspect pump ball check valve.

Troubleshooting - Spray Patterns

Condition	Possible Cause	Correction
A. Tails 	Inadequate fluid delivery. Fluid not atomizing correctly.	Increase fluid pressure. Change to small tip orifice size. Reduce fluid viscosity. Reduce hose length. Clean gun and filter(s). Reduce number of guns using pump.
B. Hour glass 	Inadequate fluid delivery.	Same as above.
C. Distorted 	Plugged or worn nozzle tip.	Clean or replace nozzle tip.
D. Pattern expanding and contracting (surge) 	Suction leak. Pulsating fluid delivery.	Inspect for siphon hose leak. Change to a smaller tip orifice size. Install pulsation dampener in system or drain existing one. Reduce number of guns using pump. Remove restrictions in system, clean tip screen if filter is used.
E. Round pattern. 	Worn tip. Fluid too heavy for tip.	Replace tip. Increase pressure. Thin material. Change nozzle tip.

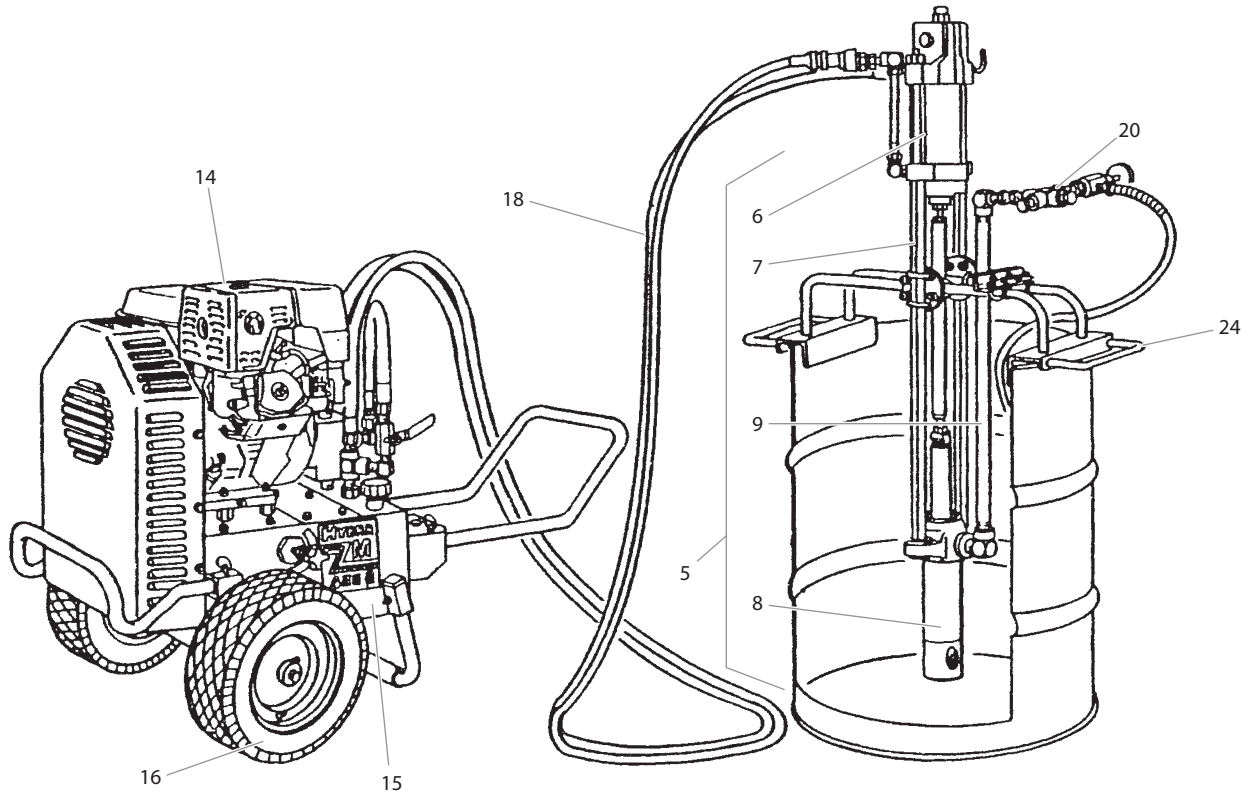
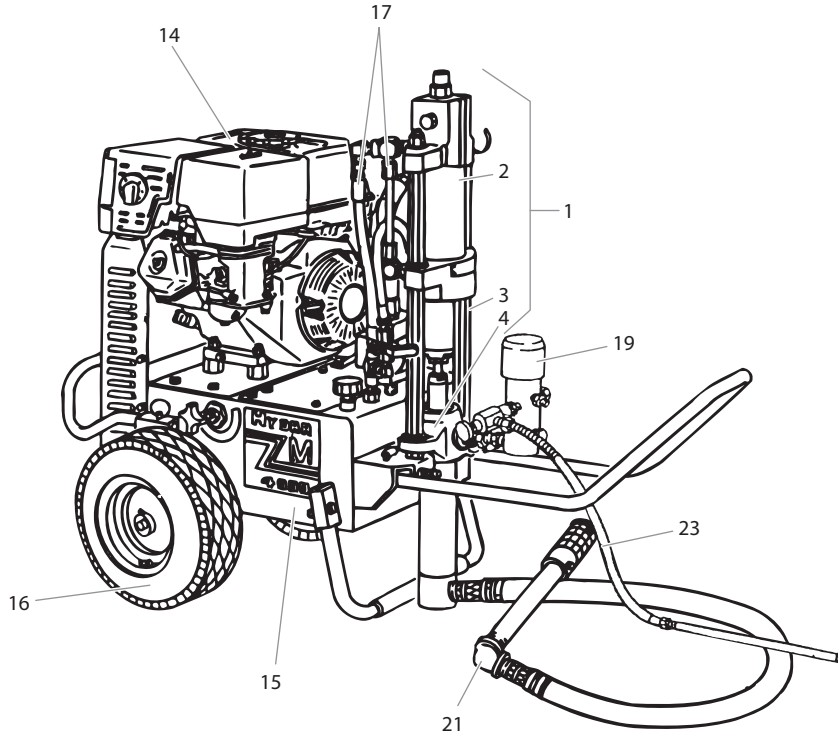
Troubleshooting - Hydraulic Motors

Condition	Possible Cause	Correction
A. Oil motor stalls at bottom (no unusual heat problems).	Fluid pump seat unthreaded. Valve sticking or oil motor trip rod shifter assembly separated.	If connecting rod is okay, remove cylinder head plug and pop valve down. Replace plug and start machine. If machine cycles up and stops at bottom again, then problem is piston seat on fluid pump. Check piston seat. Repair or replace as necessary. If piston seat is okay and problem does not change, check oil motor. Remove valve and check for scratches and rough movement when sliding it up and down. Replace valve and spool in this condition. Check trip rod for possible separation.
B. Oil motor stops at top (no unusual heat problems).	Valve sticking Broken spring retainer (valve rod assembly) Broken spring or valve rod Air in hydraulic motor Air in fluid pump	Remove valve and check for scratches and rough movement when sliding it up and down. Replace valve and spool in this condition. Replace valve rod assembly. Replace valve rod assembly. Reset valve. Purge Air, generally accomplished by low pressure cycling of motor/pump assembly for 5-10 minutes. Check for causes of air introduction: <ul style="list-style-type: none"> • Loose fittings in tank. • Loose fittings on hydraulic pump. • Loose hose connections. • Low oil in reservoir. Stall at top can occur randomly when fluid pump picks up air. Reset valve. Avoid air in the fluid pump.
C. Low pressure (okay on down stroke, sluggish on up stroke - high heat) NOTE: Engine labors on upstroke, idles back at stall on the down stroke.	Blown piston seal Cracked piston	Before dismantling oil motor, start machine. With pump cycling under pressure, touch the hydraulic cylinder and the head to see if cylinder or head gets hotter. This will help determine if piston seal is blown or piston nut is broken. If heat is on the head, check the o-rings on spool valve. Dismantle oil motor and check piston seals cylinder bore and piston nut. Pay special attention to piston nut. It can be cracked and not show externally.
D. Low pressure (both strokes - high heat) NOTE: Engine labors at stall on both strokes.	Blown center o-rings on spool valve Bad hydraulic pump	Before dismantling oil motor, start machine. With pump cycling under pressure, touch the head to see if the head becomes hotter. This will help determine if center o-ring is blown on spool valve. If hot, remove and replace o-ring. Replace hydraulic pump.

Troubleshooting - Fluid Sections

Condition	Possible Cause	Correction
A. Pump delivers on upstroke only or goes up slowly and down fast (commonly called downstroke dive).	<p>Lower foot valve ball is not seating due to trash or wear.</p> <p>Material too viscous to siphon.</p> <p>Air leaking in on siphon side or damaged siphon hose. Siphon may be too small for heavy material.</p>	<p>Remove foot valve assembly. Clean and inspect. Test foot valve by filling with water. If ball fails to seal the seat, replace ball.</p> <p>Thin material - contact manufacturer for proper thinning procedures.</p> <p>Tighten all connections between pump and paint container. If damaged, replace. Switch to bigger siphon set.</p>
B. Pump delivers on down stroke only or goes up fast and down slowly.	<p>Upper ball is not seating due to trash or wear.</p> <p>Lower packing set is worn.</p>	<p>Check upper seat and ball with water. If ball fails to seal seat, replace.</p> <p>Replace packing set if worn.</p>
C. Pump moves up and down fast, not delivering material.	<p>Material container is empty or material is too thick to flow through the siphon hose.</p> <p>Bottom ball stuck to foot valve seat.</p> <p>Siphon hose is kinked or loose.</p>	<p>Refill with new material. If too thick, remove siphon hose and immerse pump or add thinner to material. Change to bigger siphon set. Open bleed valve to remove air and restart pump.</p> <p>Remove foot valve. Clean ball and seat.</p> <p>Straighten.</p>
D. Pump moves up and down slowly when spray gun is shut off.	<p>Loose connections. Bleed valve is open partially or bleed valve is worn. Lower packing set is worn.</p> <p>Upper and/or lower ball not seating.</p>	<p>Check all connections between pump and gun. Tighten as necessary. If material is flowing from bleed hose, close bleed valve or replace if necessary. Should none of above be evident, replace lower packing.</p> <p>Reset balls by cleaning.</p>
E. Not enough fluid pressure at gun.	<p>Spray tip is worn.</p> <p>Outlet filter or gun filter is clogged.</p> <p>Low voltage and/or inadequate amperage.</p> <p>Hose size or length is too small or too long.</p>	<p>Replace.</p> <p>Clean or replace filter.</p> <p>Check electrical service. Correct as required.</p> <p>Increase hose size to minimize pressure drop through hose and/or reduce hose lengths.</p>
F. Pump chatters on up or down stroke	<p>Solvent has caused upper packing to swell.</p>	<p>Replace packings.</p>

Hydra M 4000™ Major Components



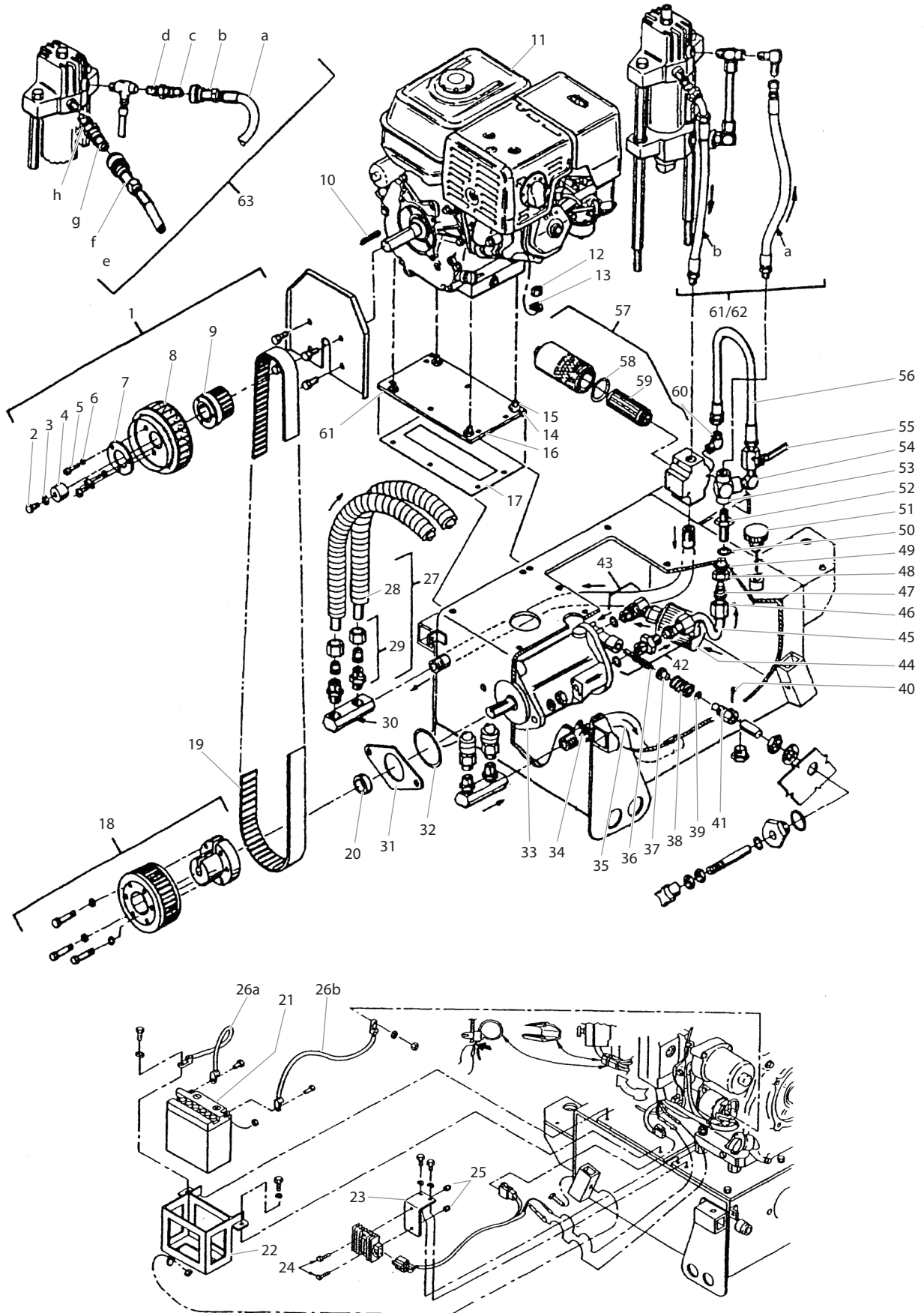
Hydra M 4000™ Major Components

ITEM NO.	PART NO.	DESCRIPTION	Hydra M 4000™			Hydra Pro Super™
			13 HP Honda w/outlet	13 HP Honda w/filter	13 HP Honda 55 Gal	13 HP Honda w/filter
			433-800	433-801	433-802	433-810
1	441-246	Motor pump assembly	1	1		
2	441-576	Motor assembly (1)				
3	441-107	Assembly set (1)				
4	245-555	Pump assembly (1)				
5	441-247	Motor pump assembly			1	
6	441-576	Motor assembly (1)				
7	441-108	Assembly set (1)				
8	245-555	Pump assembly (1)				
9	840-202	Riser pipe assembly (1)				
10	441-182	Motor pump assembly				1
11	441-575	Motor assembly (1)				
12	441-101	Assembly set (1)				
13	185-551	Pump assembly (1)				
14	433-601	Engine drive assembly, electric start	1	1	1	1
15	433-701	Hydraulic tank assembly	1	1	1	1
16	590-312	Mobil kit	1	1	1	1
17	432-681	Hose set, hydraulic	1	1		1
18	432-684	Hose set, hydraulic, 55 gal.			1	
19	920-559	Filter assembly, 50 mesh		1		1
20	840-208	Outlet assembly, 3/4"	1		1	
21	103-812	Siphon hose, 1 1/4" x 4'	1	1		
22	103-807	Siphon hose, 1" x 4'				1
23	840-209	Relief valve w/bleed line		1		1
24	219-650	Adj. drum mount assembly			1	

Hydra Pro Super™ is not illustrated.

All models are equipped with electric starter.

Hydra M™ Engine Drive & Hydraulic System

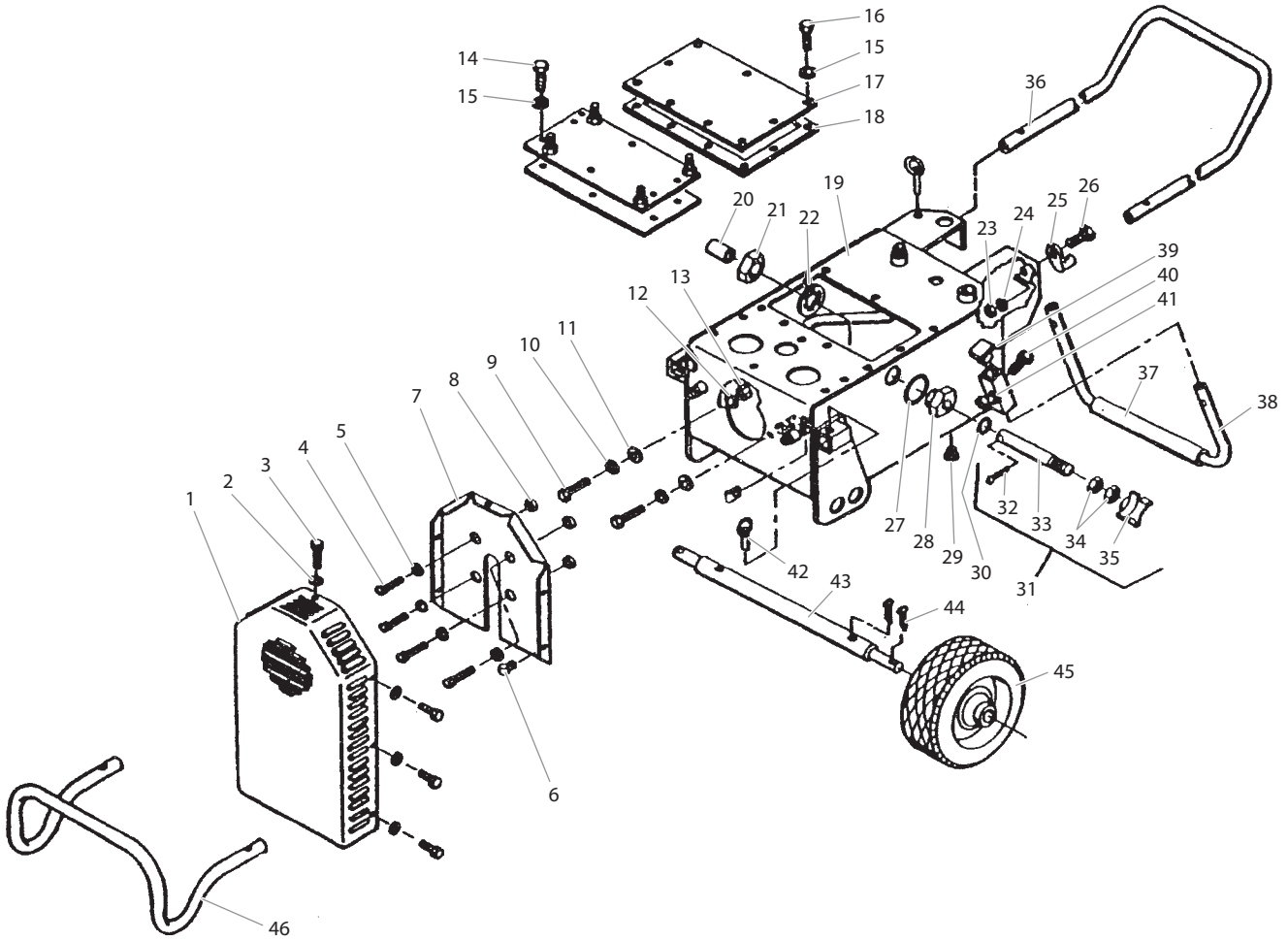


Engine / Drive Assembly Part No. 433-601			
ITEM NO.	PART NO.	DESCRIPTION	QTY.
1	433-007A	Fan pulley assembly	1
2	862-739	Screw	
3	0509292	Washer, lock	
4	433-008	Sleeve	
5	858-634	Screw (3)	
6	858-002	Washer, lock (3)	
7	432-646	Fan retainer ring	
8	432-631	Fan	
9	433-001	Pulley	
10	980-308	Key	1
11	980-340	Engine, 13 HP Honda	1
12	862-412	Nut	4
13	860-002	Washer, lock	4
14	433-005	Pad, mounting	4
15	862-482	Screw	4
16	433-004	Plate, motor mount	1
17	0537443	Gasket, motor mount	1
18	416-310	Pulley / hub / bolt set	1
19	433-003	Belt	1
20	138-228	Spacer	1
21	434-641	Battery, 12V	1
22	434-617	Bracket, battery	1
23	433-009	Bracket, regulator	1
24	858-636	Screw	2
25	858-611	Nut, lock	2
26a	101-216	Cable, battery, negative	1
26b	0290630	Cable, battery, positive	1

Hydraulic System			
ITEM NO.	PART NO.	DESCRIPTION	QTY.
27	432-625	Heat exchanger assembly (includes items 28-29)	2
28	432-526	Heat exchanger	
29	742-007	Male connector	
30	434-673	Connector, dual outlet	2
31	0537442	Gasket	1
32	432-601	O-ring	1
33	416-519	Pump	1
34	103-679	Clamp, hose	1
35	432-686	Hose, return	1
36	416-524	Spool	1
37	416-581	Button	1
38	416-584	Spring	1
39	416-226	O-ring	1
40	195-983	Cotter key	1
41	416-008	Stem, adjustment	1
42	441-206	Adapter / O-ring / nut	1
43	432-150	Elbow* swivel with nut	1
44	432-604	Filter, 100 mesh	1
45	432-676	Tube, pressure	1
46	432-645	Nut, tube	1
47	432-644	Ferrule	1
48	872-432	Nut, lock	1
49	872-002	Washer, lock	1
50	872-005	Washer, nylon	1
51	335-010	Filter / dipstick	1
52	432-607	Adapter, bulhead	1
53	817-003	Tee	1
54	818-001	Elbow	1
55	940-557	Ball valve	1
56	402-020	Bypass hose assembly	1
57	432-871	Filter assembly, high pressure	1
58	432-873	O-ring	
59	432-864	Filter element	
60	431-011	Elbow	1
61	871-001	Shim	1

For Hydra M 4000™			
ITEM NO.	PART NO.	DESCRIPTION	QTY.
62	432-681	Hydraulic hose set	1
62a	432-715	Pressure hose	
62b	432-688	Return hose	

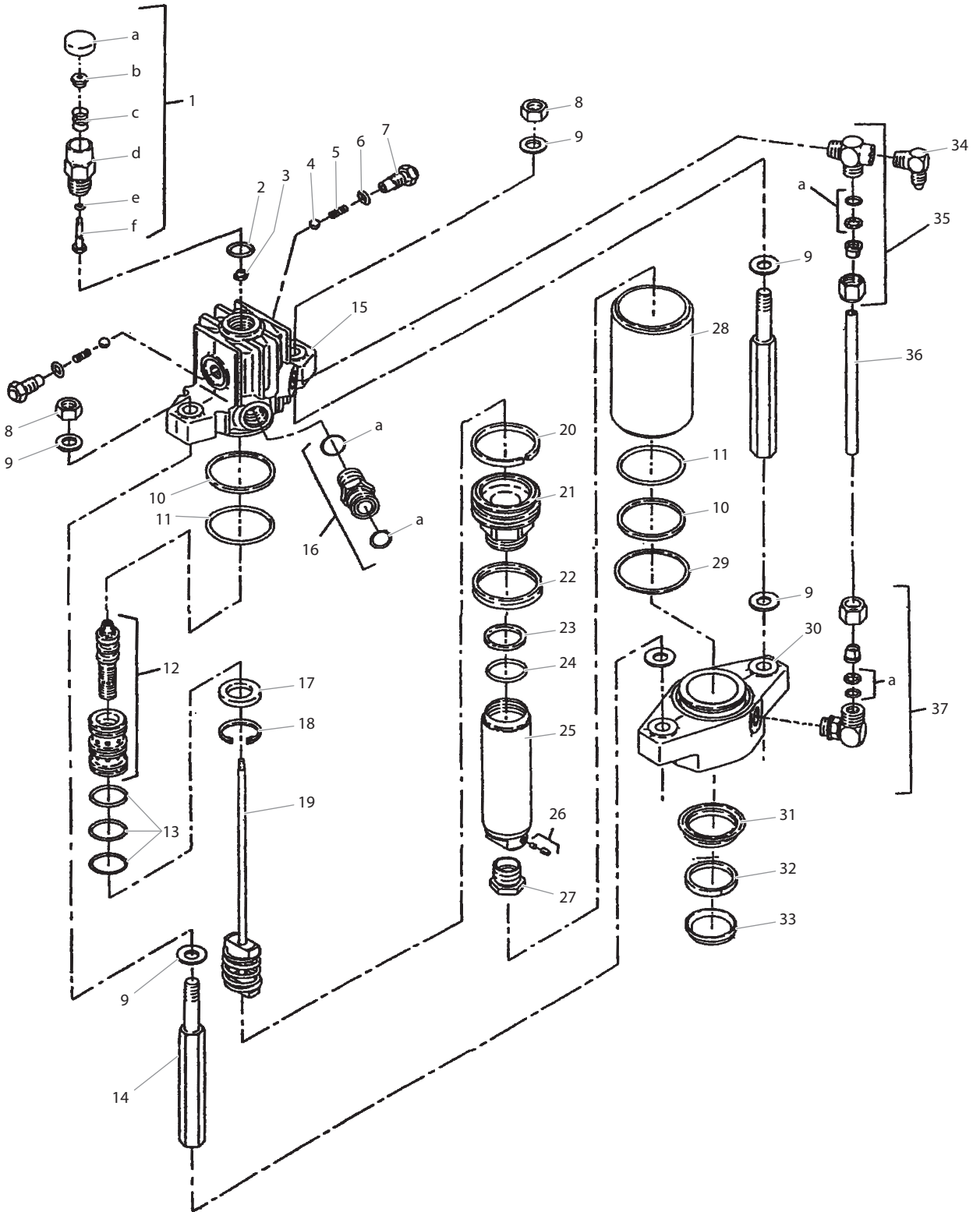
Hydra M™ Tank Assembly and Mobil Kit



Tank Assembly			
ITEM NO.	PART NO.	DESCRIPTION	QTY.
1	434-662	Fan shroud	1
2	858-001	Washer	7
3	856-924	Screw	7
4	862-436	Screw	4
5	862-002	Washer, lock	4
6	856-963	Nut	7
7	434-661	Back plate	1
8	433-006	Spacer	4
9	862-452	Screw	2
10	862-001	Washer, flat	2
11	862-003	Washer, copper	2
12	862-002	Washer, lock	2
13	862-411	Nut, lock	2
14	860-528	Screw	7
15	860-002	Washer, lock	16
16	860-524	Screw	9
17	434-676	Plate, inspection	1
18	0537444	Gasket	1
19	434-622	Tank (for Hydra M 4000™)	1
20	416-010	Sleeve	1
21	872-431	Nut, bulkhead	1
22	872-003	Washer, star	1
23	858-601	Nut	1
24	858-002	Washer, lock	1
25	101-205	Ground lug	1
26	858-628	Screw	1
27	432-609	O-ring	1
28	434-621	Bushing	1
29	227-033	Pipe plug	1
30	141-007	O-ring	1
31	434-682	Pressure control assembly	1
32	185-983	Cotter key (1)	
33	434-671	Shaft, pressure control (1)	
34	866-601	Nut, jam (2)	
35	970-013	Knob (1)	

Mobil Kit			
ITEM NO.	PART NO.	DESCRIPTION	QTY.
36	434-656	Handle	1
37	434-659	Foot, rubber	1
38	434-657	Foot	1
39	935-008	Cap	2
40	858-660	Screw	2
41	858-611	Nut, lock	2
42	434-655	Pin, lock	4
43	435-641	Axle	1
44	570-010	Pin, cotter	4
45	670-109	Wheel	2
46	435-659	Bumper	1

Hydra M™ 4000 441-576 Hydraulic Motor

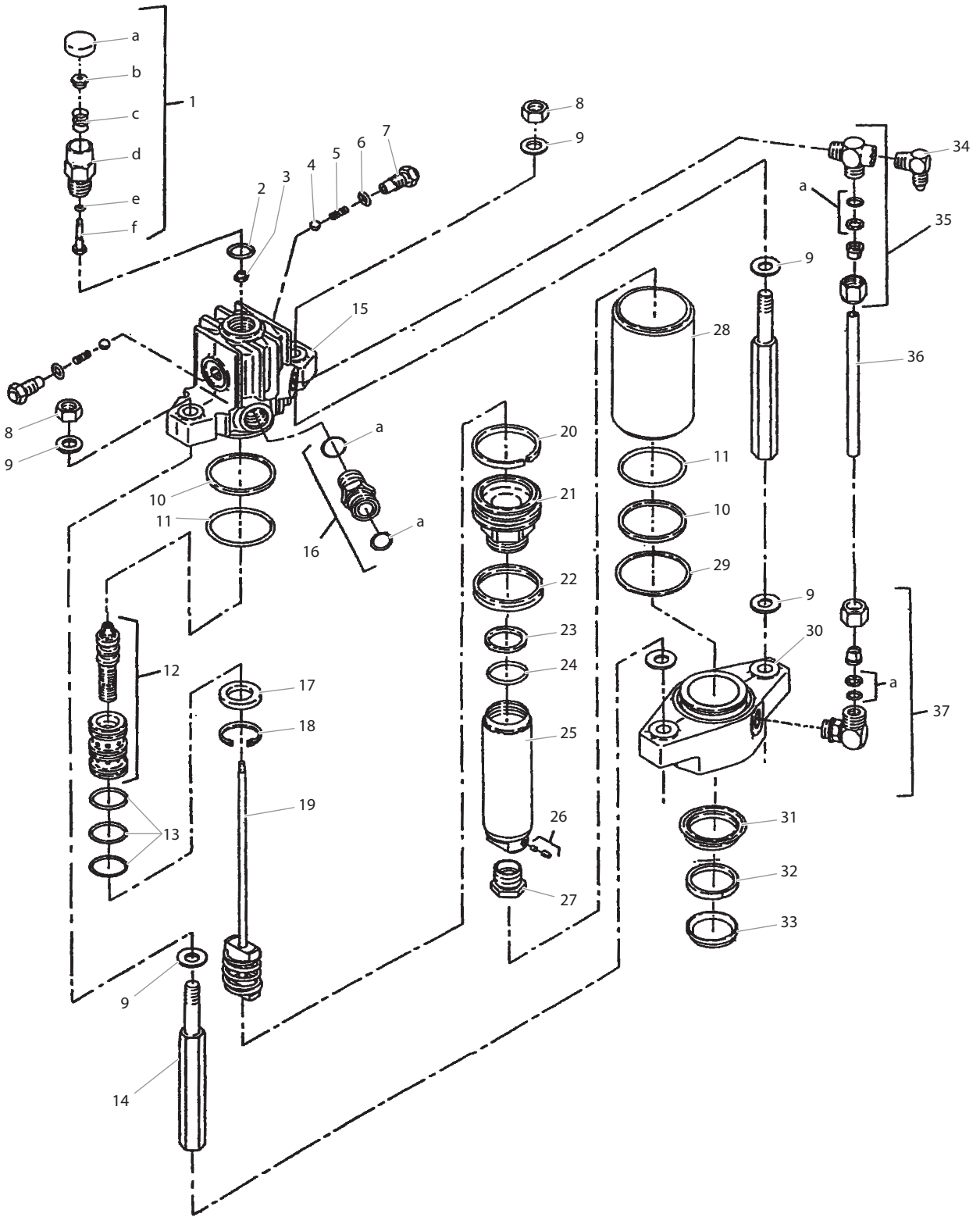


ITEM NO.	PART NO.	DESCRIPTION	441-575	441-576
			QTY.	QTY.
1	441-032	Reset assembly	1	1
1a	441-031	Cap		
1b	441-041	Button, reset		
1c	441-029	Spring, reset		
1d	441-027	Body		
1e	441-030	O-ring		
1f	441-028	Pin, reset		
2	441-217	O-ring	1	1
3	858-811	Nut	1	1
4	569-016	Ball	2	2
5	441-005	Spring, trip	2	2
6	141-007	O-ring	2	2
7	441-979	Retainer	2	2
8	870-401	Nut, stanchion	2	2
9	870-004	Washer, stanchion	6	6
10	441-149	Ring, back-up	2	2
11	441-148	O-ring	2	2
12	441-908	Valve spool/sleeve	1	1
13	441-152	O-ring	3	3
14	441-015	Stanchion	2	2
15	441-916	Head, cylinder	1	1
16	191-668	Adapter	1	1
16a	194-114	O-ring		
16b	194-113	O-ring		

ITEM NO.	PART NO.	DESCRIPTION	441-575	441-576
			QTY.	QTY.
17	441-211	Spacer	1	1
18	314-072	Ring, snap	1	1
19	441-377	Shifter actuator	1	1
20	441-238	Ring, wear	1	1
21	442-978	Piston	1	1
22	441-249	Seal, piston	1	1
23	441-026	O-ring	1	1
24	441-024	Ring, back-up	1	1
25	441-932	Piston tube	1	
25a	441-931	Piston tube		1
26	441-937	Set screw	1	1
27	431-007	Nut, coupling	1	
27a	441-007	Nut, coupling		1
28	441-312	Cylinder	1	1
29	441-151	Gasket, cushion	1	1
30	441-945	Base, motor	1	1
31	441-234	Seal, piston tube	1	1
32	445-237	Ring, wear	1	1
33	441-025	Wiper, piston tube	1	1
34	432-640	Elbow	1	1
35	441-017	Tee	1	1
35a	432-611	O-ring set		
36	441-789	Tube	1	1
37	432-729	Elbow	1	1
37a	632-611	O-ring set		

Hydra M™ & Hydra Pro Super™ 441-575 Hydraulic Motor

Service Instructions



IMPORTANT: Use of non-Titan manufactured service parts may void warranty. This motor contains hydraulic fluid. Take precautions to protect the immediate area from oil damage upon disassembly.

IMPORTANT: Disassemble this motor in a clean, dust free area. Any dust or dirt contamination of this assembly will shorten the service life of this motor and the hydropac rotary pump.

1. Release set screw (26) and remove coupling nut (27). Push out nylon button (26).
2. Remove reset assembly (1) and O-ring (2).
3. Unthread connector nuts (35, 37) and release tube (36).
4. Unscrew upper stanchion nuts (8), remove washer (9).
5. Raise cylinder head (15) high enough to secure the shifter actuator rod (19) with vise grips. Place a socket wrench on the lock nut (3).
6. Unthread the lock nut (3).
7. Lift cylinder head (15) from upper motor stanchions (14). Remove O-ring (11) and back-up ring (10).
8. Carefully lift cylinder (28) and piston tube assembly (25) from motor base (30). Separate the cylinder and piston tube assembly. Remove O-ring (11) and back-up ring (10) from motor base. Remove cushion gasket (29).
9. Remove piston seal (22) and wear ring (20).
10. Remove piston tube seal (31), wear ring (32) and wiper (33) from motor base (30).

Disassembly of cylinder head and shifter actuator rod

1. Remove trip retainers (7) along with O-rings (6), trip springs (5) and balls (4) from cylinder head (15).
2. Remove snap ring (18) with snap ring pliers.
3. Carefully lift out valve spool (12) with needle nose pliers.
4. Using a nylon rod or spool drive from the top, push the valve sleeve (12) straight out of the cylinder head (15).
5. Place piston tube assembly (25) in horizontal position with bottom of assembly into heavy-duty vise.

IMPORTANT: DO NOT mar chromed surface.

Support the piston tube assembly (25) in the horizontal position with wood blocks and grip the flats of piston (21) with a 2 1/4" flat wrench to unthread piston.

Reassembly

Wash all parts thoroughly with Coolflo™, part # 430-361. For routine servicing, use all new parts from Motor Service Kit, minor, part # 441-071.

For major overhaul, replace all parts contained in Motor Service Kit, major, part # 441-701. Inspect all other parts for abnormal wear or damage and replace if necessary.

1. Install new lower piston tube seal (31), wear ring (32) and wiper (33) in motor base (30). Install new O-ring (11) and new back-up ring (10) in motor base (30).
2. Slide piston tube assembly (25) into motor base from below.
3. Place new O-ring (23) and new back-up ring (24) onto piston (21).
4. Clean and coat the threads of the piston (21) with Loctite sealant, part # 426-051, and place shifter actuator assembly (19) with piston (21) into piston tube.

IMPORTANT: DO NOT mar chromed surface.

5. Place new piston seal (22) and new wear ring (20) on piston (21).
6. Push piston tube to the top of its stroke and place cylinder (28) over piston tube and seat the cylinder (28) on the motor base (30) over the new cushion gasket (29).
7. Push the valve sleeve and spool (12) straight into the cylinder head (15).
8. Place spacer (17) behind the valve sleeve and spool assembly (12).
9. Insert snap ring (18) to hold spacer (17) in place.

10. Place new O-ring (11) and new back-up ring (10) on cylinder head (15) and lower cylinder head on to cylinder (28), shifter actuator assembly (19) and upper stanchions (14) with washers (9).
11. Raise the cylinder head (15) to apply vise grips to the shifter actuator rod (19). Pass the shifter actuator rod through the valve spool (12). Clean and Loctite the shifter rod threads and install and tighten lock nut (3).
12. Thread reset assembly (1) with new O-ring (2) into cylinder head (15), insert new balls (4), new springs (5), and replace trip retainers (7) together with new O-rings (6) into cylinder head (15). Torque the trip retainers to 180 in.-lbs.

IMPORTANT: DO NOT over torque the trip retainers.

13. Place stanchion nuts (8), washers (9) on upper stanchions (14). Tighten stanchion nuts (8) alternately.
14. Attach tube (36) to tee assembly (35) and elbow (37) by tightening connector nuts.

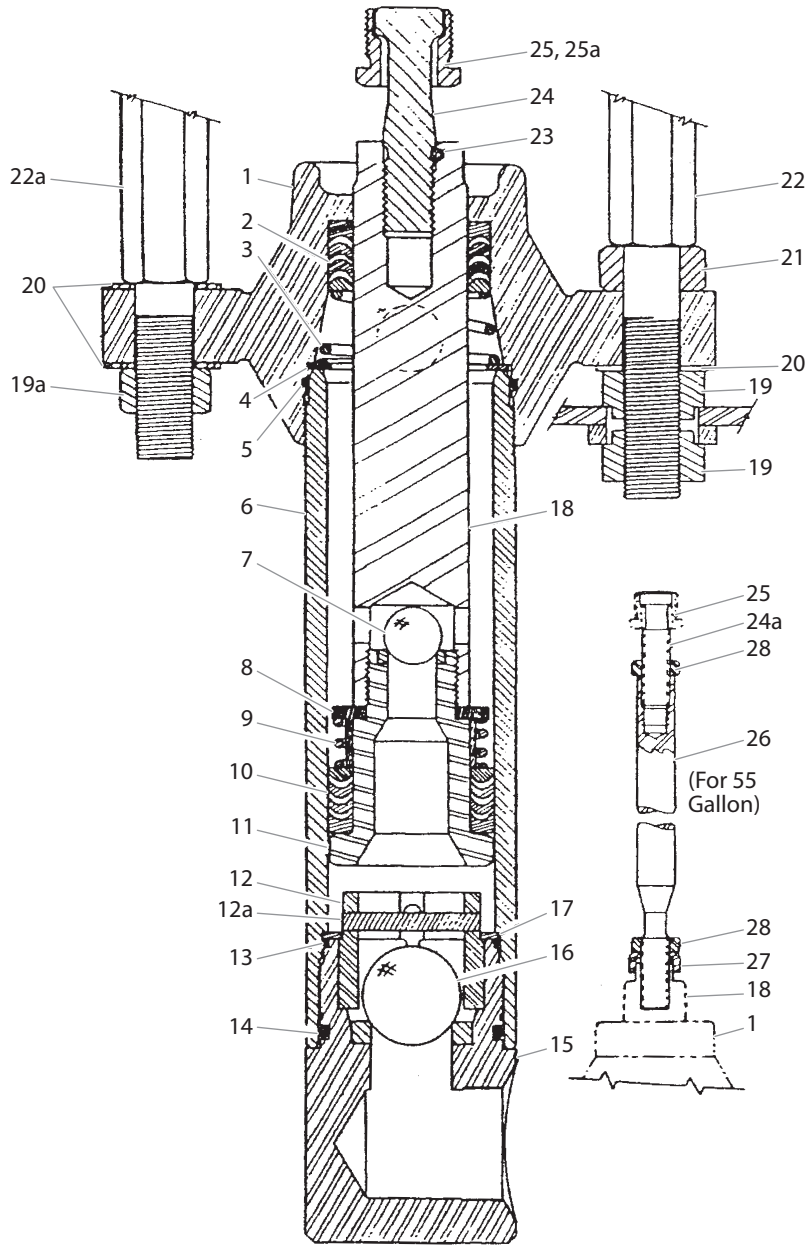
NOTE: Areas where Loctite sealant is applied must be free of oil and grease.

Service Kits

Motor Service Kit, Minor Part No. 441-071			
ITEM NO.	PART NO.	DESCRIPTION	QTY.
2	441-217	O-ring	1
3	858-811	Nut	1
4	569-016	Ball, S.S.	2
5	441-005	Spring, trip	2
6	141-007	O-ring	2
10	441-149	Ring, back-up	2
11	441-148	O-ring	2
13	441-152	O-ring	3
20	441-238	Ring, wear	1
22	441-249	Seal, piston	1
23	441-026	O-ring	1
24	441-024	Ring, back-up	1
29	441-151	Gasket, cushion	1
31	441-234	Piston, tube seal	1
32	445-237	Ring, wear	1
33	441-025	Wiper, piston tube	1
	426-051	Loctite sealant	1

Motor Service Kit, Major Part No. 441-701			
ITEM NO.	PART NO.	DESCRIPTION	QTY.
	441-071	Motor service kit, minor	1
12	441-908	Valve spool / sleeve set	1
19	441-377	Shifter actuator assembly	1

Hydra M 4000™ 245-555 Fluid Pump Assembly



ITEM NO.	PART NO.	DESCRIPTION	QTY.
1	245-907	Block, pump	1
2	240-001	Packing set, Poly/Lthr.	1
3	245-005	Packing spring, upper	1
4	245-013	Retainer, spring	1
5	892-323	O-ring, PTFE	1
6	245-012	Cylinder	1
7	920-103	Ball, S.S.	1
8	245-020	Retainer, spring	1
9	245-014	Spring, packing	1
10	240-001	Packing set, Poly/Lthr.	1
11	241-007	Seat, piston	1
12	240-022	Cage, ball	1
12a	241-109	Pin, ball stop (1)	
13	891-403	O-ring, PTFE	1
14	892-281	O-ring	1
15	245-018	Valve, foot	1
16	314-180	Ball, S.S.	1
17	245-021	Retainer, cage	1
18	245-009	Rod, displacement	1

Assembly Sets				
ITEM NO.	PART NO.	DESCRIPTION	STD 441-107	55 GAL 441-108
19	870-441	Nut	4	
19a	870-401	Nut		2
20	870-004	Washer	4	6
21	870-006	Spacer	2	
22	140-016	Stanchion	2	
22a	441-010	Stanchion, 55 gal		2
23	245-109	Roll pin	1	
24	442-959	Rod, connecting	1	
24a	441-959	Rod, connecting		1
25	441-007	Nut, coupling	*	*
26	180-972	Ext., connecting rod		1
27	441-968	Stirrup		1
28	870-021	Nut		1

* Not included in this assembly

245-555 Fluid Pump Service Information

IMPORTANT: Use of non-Titan manufactured service parts may void warranty.

The 245 Series Pumps should receive routine servicing after approximately 1000 hours of use or earlier if there is excessive leakage from the top packing, or if the pump strokes become faster on one stroke or the other. The use of Titan Piston Lube, part # 314-480 is recommended as an upper packing lubricant. **DO NOT SUBSTITUTE OIL, WATER OR SOLVENT** for an upper packing lubricant.

Disassembly Procedure

1. Test pump before disassembly. Follow test procedure in Troubleshooting Guide - Fluid Section.
2. Remove siphon hose assembly.
3. Remove stanchion nuts (19) and washers (20).
4. Remove set screw between the two flats on hydraulic motor rod. Hold the hydraulic motor rod at the wrench flats and unthread coupling nut (25) to separate pump from hydraulic motor.

IMPORTANT: Never use a pipe wrench, pliers, etc. on the chrome part of hydraulic or fluid section rod.

5. Remove roll pin (23) or jam nut on connecting rod (24). Remove connecting rod (24) from displacement rod (18).
6. Unthread and remove foot valve (15).
7. Remove PTFE O-ring (13), O-ring (14), ball cage retainer (17), ball cage (12) and ball (16).
8. Remove cylinder (6).
9. Remove displacement rod (18).
10. Place piston seat (11) in a vise and use a wrench on the flats to remove the displacement rod (18) from the piston seat (11).
11. Remove lower packing set (10), spring (9), spring retainer (8) and ball (7).
12. Remove upper spring retainer (4), spring (3), PTFE O-ring (5) and packing set (2).
13. Clean and inspect all parts. Inspect rod's and cylinder's hard chrome for grooves, dents or worn areas. Replace if hard chrome is damaged. Inspect valve seats and replace if cracked or worn.

Reassembly Procedure

1. Insert new upper packing set (2) into pump block (1)

IMPORTANT: Peak of "V" packings must point upwards on reassembly.

2. Insert upper spring (3); small end of spring must go toward the packing set.
3. Insert upper spring retainer (4) and new O-ring (5) into pump block (1).

IMPORTANT: Lubricate all O-rings before assembly.

4. Place new lower packing set (2) over piston seat (11).

IMPORTANT: Peak of "V" must point downward on reassembly.

5. Replace spring (9), spring retainer (8) and new ball (7) on piston seat (11).
6. Thread piston seat back onto displacement rod (18).

IMPORTANT: Use Loctite on clean threads.

7. Insert displacement rod assembly through upper packing set (2) in pump block (1).
8. Thread cylinder (6) back into into pump block (1).
9. Insert new ball (16), ball cage (12), ball cage retainer (17) new O-ring (14) and new PTFE O-ring (13).

IMPORTANT: Lubricate all O-rings into foot valve (15).

NOTE: Ball cage pin (12a) to be in lower position unless pump is to be used for heavy block filler or roofing materials.

10. Thread foot valve (15) back into cylinder (6).
11. Place connecting rod (23) through coupling nut (24) and thread connecting rod (23) into displacement rod (18).
12. Replace roll pin (23) into displacement rod (18).

NOTE: It is not necessary to overtighten foot valve and cylinder into pump block. O-ring seals perform sealing function without excessive tightening. Full thread engagement is sufficient. The foot valve (15) may be rotated back up to 1/2 turn from full engagement for convenient hose position.

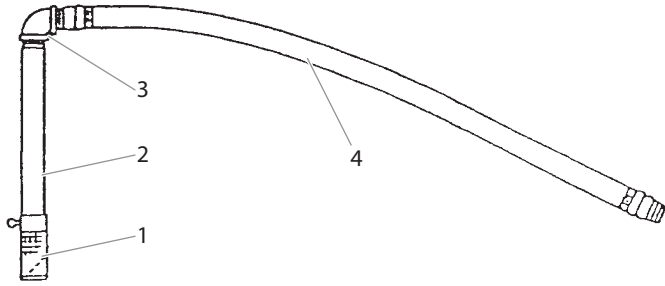
For siphon hose attachment, it is critically important that the thread of the siphon hose fit snugly into the foot valve with the hose assembly couplings PTFE-taped and sealed to prevent air inlet leakage.

Service Kits

Pump Service Kits, Minor					
ITEM NO.	PART NO.	DESCRIPTION	245-050	245-051	245-052
2	240-001	Packing set, upper, Poly/Lthr	1		
2	240-101	Packing set, upper, Leather		1	
2	240-201	Packing set, upper, PTFE			1
5	892-323	O-ring, PTFE	1	1	1
7	920-103	Ball	1	1	1
10	240-001	Packing set, lower, Poly/Lthr	1		
10	240-101	Packing set, lower, leather		1	
10	240-201	Packing set, lower, PTFE			1
13	891-403	O-ring, PTFE	1	1	1
14	892-281	O-ring	1	1	1
16	314-180	Ball	1	1	1
	426-051	Loctite Sealant	1	1	1

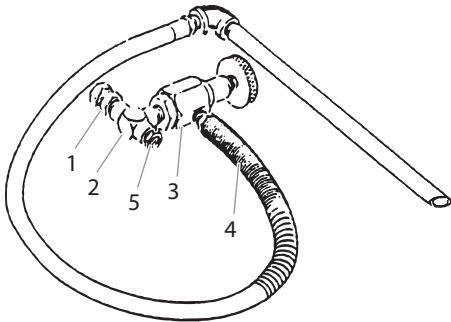
Pump Service Kits, Major					
ITEM NO.	PART NO.	DESCRIPTION	245-500	245-501	245-502
	245-050	Minor kit	1		
	245-051	Minor kit		1	
	245-052	Minor kit			1
6	245-012	Cylinder	1	1	1
9	245-014	Spring, packing	1	1	1
18	245-009	Displacement rod	1	1	1

Hydra M™ Fluid Accessories



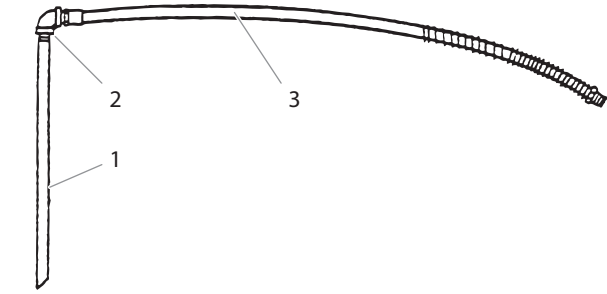
Siphon Hose Assembly Part # 103-814 (55 gal., Hydra M™ 4000)			
ITEM NO.	PART NO.	DESCRIPTION	QTY.
1	103-629	Rock catcher assembly	1
2	103-642	Tube	1
3	205-559	Elbow	1
4	606-126	Hose assembly	1

Siphon Hose Assembly Part # 103-812 (5 gal., Hydra M™ 4000)			
ITEM NO.	PART NO.	DESCRIPTION	QTY.
1	103-629	Rock catcher assembly	1
2	103-641	Tube	1
3	205-559	Elbow	1
4	604-125	Hose assembly	1

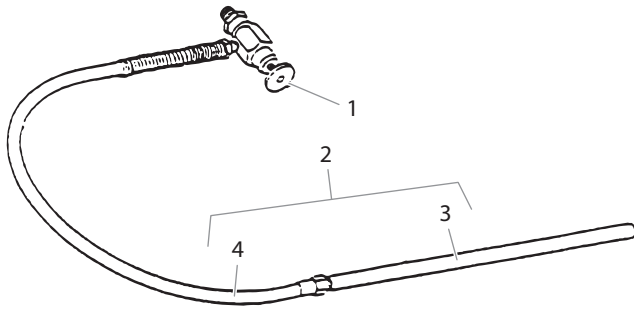


Outlet Assemblies With Pressure Bleed Valve				
ITEM NO.	PART NO.	DESCRIPTION	840-207	840-208
1	200-556	Swivel adapter, 1"	1	
1a	138-037	Swivel adapter, 3/4"		1
2	813-009	Cross	1	
2a	817-004	Tee		1
3	929-063	Bushing		1
3a	929-075	Bushing	1	
3b	929-076	Bushing	1	
4	945-600	Valve, bleed	1	1
5	103-106	Bleed line assembly	1	1
6	210-039	Plug, pipe	1	

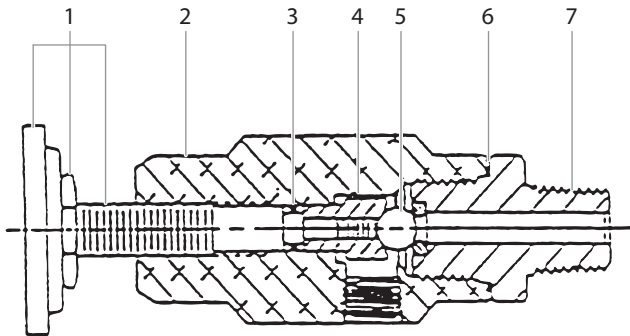
Hydra M™ Fluid Accessories



103-106 Bleed Line Assembly			
ITEM NO.	PART NO.	DESCRIPTION	QTY.
1	103-317	Tube	1
2	201-555	Elbow	1
3	538-031	Hose assembly	1

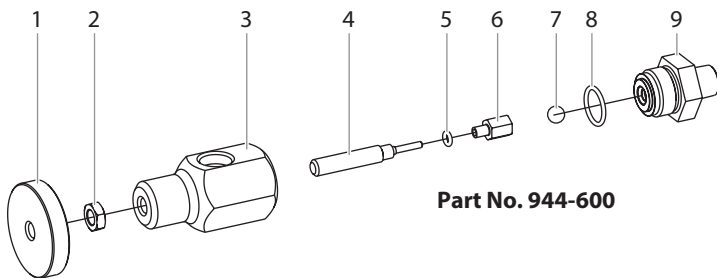


840-209 Bleed Line Assembly			
ITEM NO.	PART NO.	DESCRIPTION	QTY.
1	944-028	Valve, bleed	1
2	103-101	Bleed line assembly	1
3	0509764	Tube (1)	
4	538-030	Hose assembly (1)	



Part No. 944-620

944-620 Bleed Valve Assembly, 1/8" NPT			
ITEM NO.	PART NO.	DESCRIPTION	QTY.
1	944-024	Knob assembly	1
2	944-020	Valve body	1
3	944-004	O-ring	1
4	944-026	Valve stem stop	1
5	761-715	Ball, T.C.	1
6	945-003	Gasket, copper	1
7	944-904	Valve seat	1



Part No. 944-600

945-600 Bleed Valve Assembly, 1/2" NPT			
ITEM NO.	PART NO.	DESCRIPTION	QTY.
1	945-005	Knob	1
2	970-011	Nut	1
3	944-023	Valve stem	1
4	945-022	Valve body	1
5	891-073	O-ring, PTFE	1
6	944-026	Valve stem stop	1
7	138-226	Ball	1
8	891-183	O-ring, PTFE	1
9	945-906	Valve seat	1

Service Instructions

The 944 / 945 Series Relief Valve has a tungsten carbide seat (9) and should not require frequent replacement. The tungsten carbide ball (7), in normal service, will last a long time because it rotates and wears evenly. If there is leakage, replace the ball.

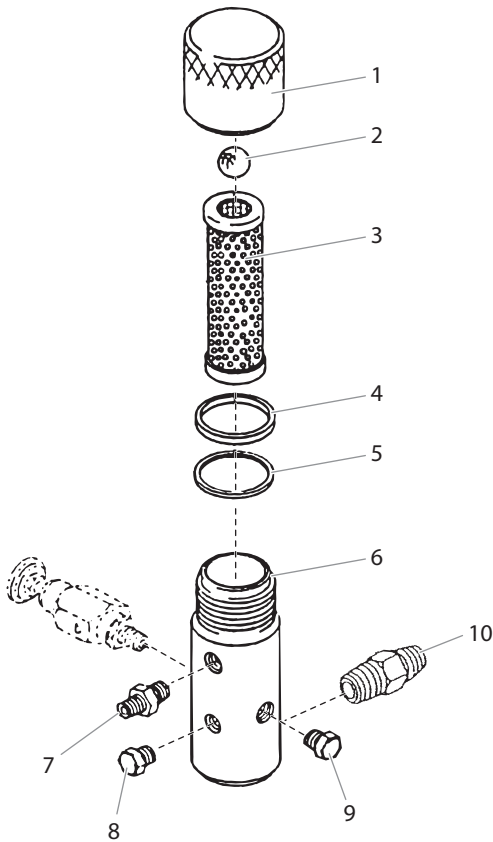
IMPORTANT: Open the adjustment knob (1) to full counterclockwise position before unthreading valve seat (9) from valve body (4).

If the valve stem (3) is rotated inwardly with the ball removed, the PTFE O-ring (5) may require replacement. If there has been leakage from the valve stem, the PTFE O-ring should be replaced.

IMPORTANT: The valve stem stop (6) must be unthreaded from the valve stem (3) with a socket screwdriver, then the valve stem can be threaded out of the valve body.

IMPORTANT: All non-moving threads must be assembled with Loctite sealant, Titan part # 426-051.

Hydra M™ Outlet Accessories



Outlet Manifold Filter Assembly			
ITEM NO.	PART NO.	DESCRIPTION	QTY
1	920-917	Filter cap assembly	1
2	920-103	Ball, S.S.	1
3	920-004	Screen, filter, 50 mesh	1
4	920-006	Gasket, PTFE (thick)	1
5	920-070	Gasket, PTFE (thin)	1
6	920-927	Body, filter (5000 psi)	1
7	812-003	Nipple, hex	1
8	227-027	Plug, pipe	1
9	227-033	Plug, pipe	1
10	703-137	Swivel fitting	1

Part No. 920-050 Filter Service Kit			
ITEM NO.	PART NO.	DESCRIPTION	QTY.
2	920-103	Ball	1
4	920-006	Gasket, PTFE	1
5	920-070	Gasket, PTFE	1

Cleaning

Clean filter regularly. Dirty or clogged filters can greatly reduce filtering ability and cause a number of system problems including poor spray patterns, clogged spray tips, etc.

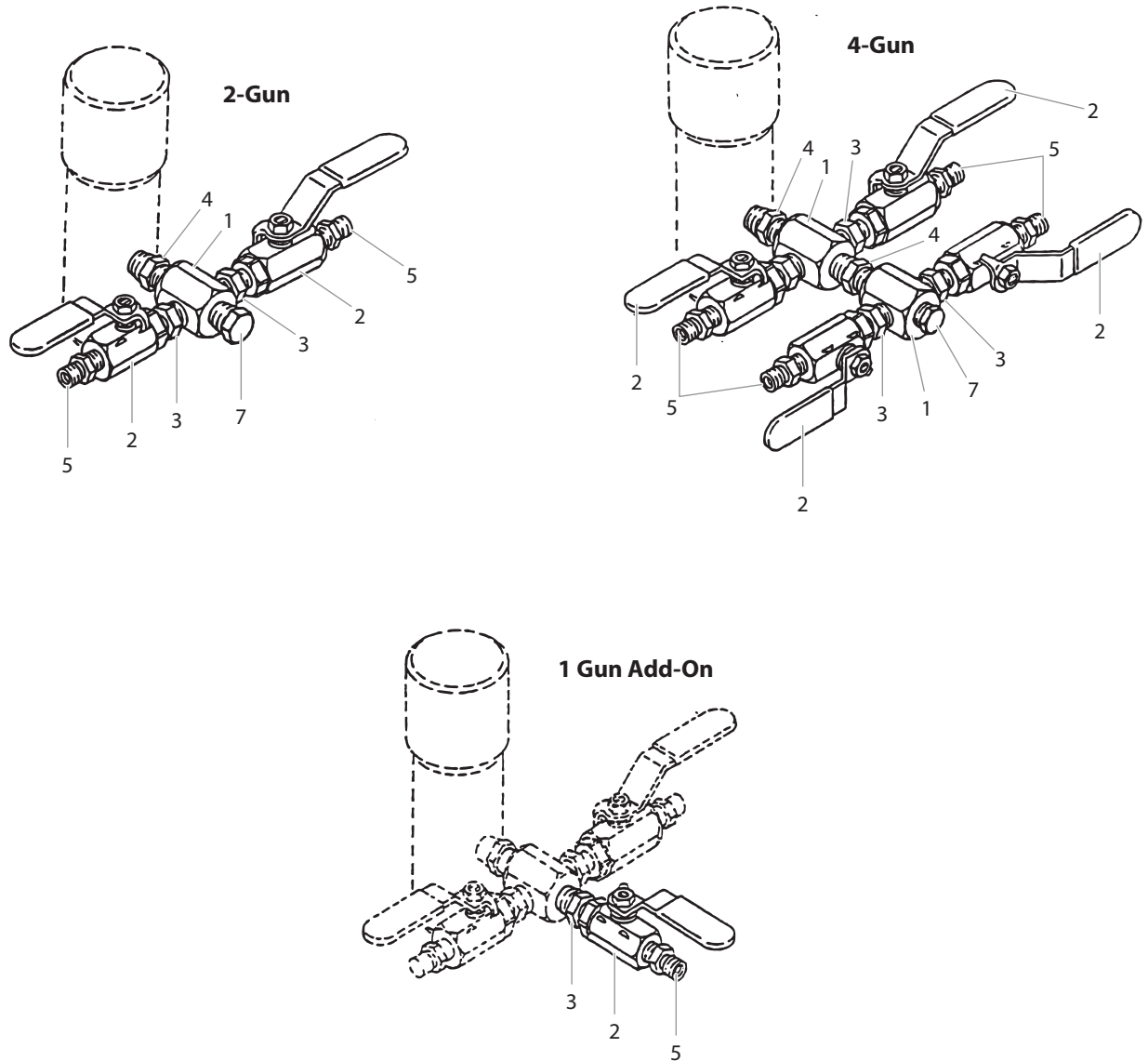
To clean the filter, shutoff system and relieve all system pressure. See the Pressure Relief Procedure on page 9.

1. Remove filter cap (1).
2. Pull filter element with check ball (3) straight out of the filter body (6).
3. Thoroughly clean inside filter body (6), filter element with check ball (3) and filter cap (1) with appropriate solvent. Use care in handling parts as dirt, debris, scratches or nicks may prevent O-rings or gaskets from sealing.

The 920 Series Filter Elements filter from the inside out. Be certain to clean the screen element thoroughly on the inside. Soak in solvent to loosen hardened paint, etc. or replace.

Specifications	
Max. Working Pressure	5000 psi (345 bar)
Filter Area	18in ² (116 cm ²)
Outlet Ports	(1) 1/4" NPT (F) for bleed valve (1) 3/8" NPT (F) with 1/4 NPSM (M) hose connection (1) 3/8" NPT (F) plug for additional gun hookup.
Wetted parts	Carbon steel with electroless nickel and cadmium plating, stainless steel, PTFE

Hydra M™ Outlet Accessories - Gun Manifold Assemblies



Gun Manifold Assemblies								
ITEM NO.	PART NO.	DESCRIPTION	975-212	975-214	975-111	975-302	975-304	975-311
			2 - GUN 1/4"	4 - GUN 1/4"	1 - GUN ADD-ON 1/4"	2 - GUN 3/8"	4 - GUN 3/8"	1 - GUN ADD-ON 3/8"
1	970-100	Manifold	1	2		1	2	
2	940-553	Valve, ball	2	4	1			
2a	941-555	Valve, ball				2	4	1
3	814-002	Nipple, hex	2	4	1			
4	814-004	Nipple, hex	1	2		3	6	1
5	227-006	Nipple, hex	2	4	1			
6	808-555	Nipple, hex				2	4	1
7	227-033	Plug, pipe	1	1		1	1	

Key Accessories and Service Kits

These items may be purchased separately from your local Titan distributor.

Part No.	Description
103-818	Siphon hose assembly with CamLock assembly, 1 1/2" x 6'
103-807	Siphon hose assembly with rock catcher 1" x 4'
103-812	Siphon hose assembly with rock catcher 1 1/4" x 4'
103-814	55-gallon siphon hose assembly
103-629	Rock catcher
920-001	Paint filter element, 5 mesh (for multicolors and heavy materials)
920-004	Paint filter element, 50 mesh (for latex and normal architectural materials)
920-005	Paint filter element, 100 mesh (for stains, lacquers and fine finish materials)
101-208	Grounding clamp
101-212	Grounding wire, 12 gauge x 25'
314-480	Piston Lube upper packing lubricant, 8 ounces
700-926	Piston Lube upper packing lubricant, 1 quart
430-362	Coolflo™ hydraulic fluid, 1 quart
430-361	Coolflo™ hydraulic fluid, 1 gallon
441-071	Minor service kit for hydraulic motor
441-701	Major service kit for hydraulic motor
185-050	Minor service kit for 185-551 fluid pump
185-500	Major service kit for 185-551 fluid pump
245-050	Minor service kit for 245-555 fluid pump
245-500	Major service kit for 245-555 fluid pump
315-050	Minor service kit for 315-555 fluid pump
315-500	Major service kit for 315-555 fluid pump
920-050	Service kit for paint filter
944-050	Service kit for bleed valve
975-212	2-gun manifold with ball valves, 1/4"
975-214	4-gun manifold with ball valves, 1/4"
975-111	1-gun add-on, 1/4"
975-302	2-gun manifold with ball valves, 3/8"
975-304	4-gun manifold with ball valves, 3/8"
975-311	1-gun add-on, 3/8"

Warranty

Titan Tool, Inc., ("Titan") warrants that at the time of delivery to the original purchaser for use ("End User"), the equipment covered by this warranty is free from defects in material and workmanship. With the exception of any special, limited, or extended warranty published by Titan, Titan's obligation under this warranty is limited to replacing or repairing without charge those parts which, to Titan's reasonable satisfaction, are shown to be defective within twelve (12) months after sale to the End User. This warranty applies only when the unit is installed and operated in accordance with the recommendations and instructions of Titan.

This warranty does not apply in the case of damage or wear caused by abrasion, corrosion or misuse, negligence, accident, faulty installation, substitution of non-Titan component parts, or tampering with the unit in a manner to impair normal operation.

Defective parts are to be returned to an authorized Titan sales/service outlet. All transportation charges, including return to the factory, if necessary, are to be borne and prepaid by the End User. Repaired or replaced equipment will be returned to the End User transportation prepaid.

THERE IS NO OTHER EXPRESS WARRANTY. TITAN HEREBY DISCLAIMS ANY AND ALL IMPLIED WARRANTIES INCLUDING, BUT NOT LIMITED TO, THOSE OF MERCHANTABILITY AND FITNESS FOR A PARTICULAR PURPOSE, TO THE EXTENT PERMITTED BY LAW. THE DURATION OF ANY IMPLIED WARRANTIES WHICH CANNOT BE DISCLAIMED IS LIMITED TO THE TIME PERIOD SPECIFIED IN THE EXPRESS WARRANTY. IN NO CASE SHALL TITAN LIABILITY EXCEED THE AMOUNT OF THE PURCHASE PRICE. LIABILITY FOR CONSEQUENTIAL, INCIDENTAL OR SPECIAL DAMAGES UNDER ANY AND ALL WARRANTIES IS EXCLUDED TO THE EXTENT PERMITTED BY LAW.

TITAN MAKES NO WARRANTY AND DISCLAIMS ALL IMPLIED WARRANTIES OF MERCHANTABILITY AND FITNESS FOR A PARTICULAR PURPOSE WITH RESPECT TO ACCESSORIES, EQUIPMENT, MATERIALS OR COMPONENTS SOLD BUT NOT MANUFACTURED BY TITAN. THOSE ITEMS SOLD, BUT NOT MANUFACTURED BY TITAN (SUCH AS GAS ENGINES, SWITCHES, HOSES, ETC.) ARE SUBJECT TO THE WARRANTY, IF ANY, OF THEIR MANUFACTURER. TITAN WILL PROVIDE THE PURCHASER WITH REASONABLE ASSISTANCE IN MAKING ANY CLAIM FOR BREACH OF THESE WARRANTIES.

Safety Data Sheets (SDS) are available on Titan's website or by calling Customer Service.

Register your product online at:

www.titantool.com

Serial Number _ _ _ _ _

UNITED STATES SALES & SERVICE

WEB: www.titantool.com

PHONE: 1-800-526-5362

1770 Fernbrook Lane

Minneapolis, MN 55447

INTERNATIONAL

WEB: www.titantool-international.com