



TITAN®

OPERATION MANUAL

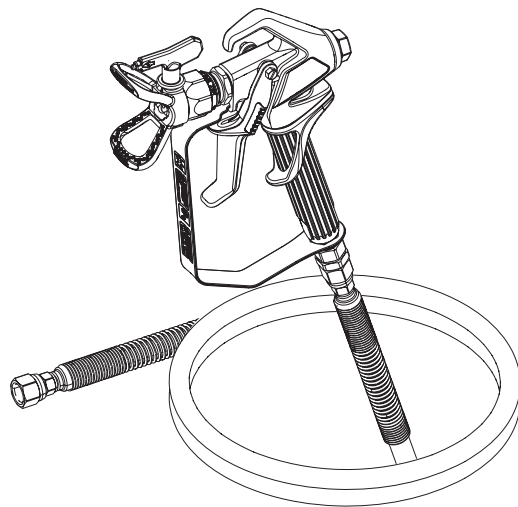
IMPACT X™ 120 18V

- EN -	OPERATION MANUAL	2
- F -	MODE D'EMPLOI	24
- ES -	INSTRUCCIONES DE USO	46

HIGH EFFICIENCY AIRLESS (HEA)
SPRAYING UNIT

GROUPE DE PROJECTION À HAUTE
EFFICACITÉ PRESSION (HEA)

EQUIPO DE ALTA EFICIENCIA
PRESIÓN PARA PULVERIZAR (HEA)

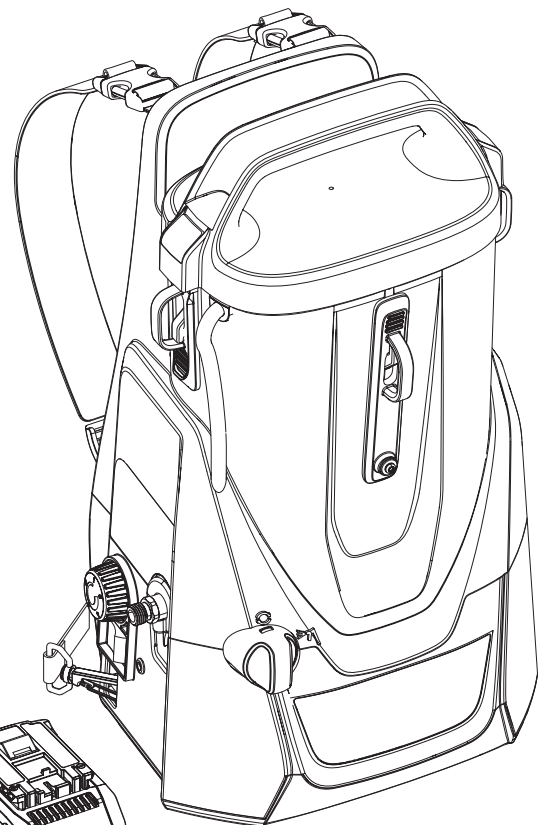
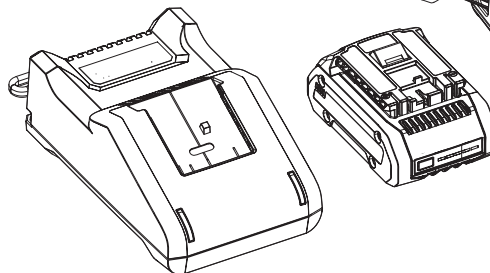


Model: 2441253A

READ THIS MANUAL FOR
COMPLETE INSTRUCTIONS

LIRE CE MANUEL POUR OBTENIR
DES DIRECTIVES COMPLÈTES

LEA ESTE MANUAL PARA OBTENER
LAS INSTRUCCIONES COMPLETAS



Powered by



TABLE OF CONTENTS

IMPORTANT SAFETY INFORMATION 2-6
 Grounding instructions 2
 Explanation of Symbols 2
 Safety Hazards 3-6

GENERAL INFORMATION 7
 Specifications 7

PARTS AND COMPONENTS 8-9
 Assembly 9

BEFORE YOU BEGIN 10
 Locking the Spray Gun 10
 Pressure Relief Procedure 10
 Moving / Emptying the Sprayer 10

LOAD MATERIAL 11

SPRAYING 12

PRACTICE SPRAYING 13

SPRAYING TROUBLESHOOTING 14-15
 Unclogging the Spray Tip 14
 Unclogging the Spray Gun Filter 14
 Clean the Inlet Filter 15

SHORT TERM STORAGE 16

CLEANUP 17-18

LONG TERM STORAGE 19

MAINTENANCE 20-21
 Cleaning the Inlet Valve 20
 Cleaning the Outlet Valve 21

TROUBLESHOOTING 22

WARRANTY 23

PARTS LIST 68-70

ACCESSORIES 71

EXPLANATION OF SYMBOLS

Read all safety information before operating the equipment. Save these instructions.

To reduce the risks of fire or explosion, electrical shock and the injury to persons, read and understand all instructions included in this manual. Be familiar with the controls and proper usage of the equipment.



→ This symbol indicates a potential hazard that may cause serious injury or loss of life. Important safety information will follow.



→ This symbol indicates a potential hazard to you or to the equipment. Important information that tells how to prevent damage to the equipment or how to avoid causes of minor injuries will follow.



→ Danger of skin injection



→ Danger of fire from solvent and paint fumes



→ Danger of explosion from solvent, paint fumes and incompatible materials



→ Danger of injury from inhalation of harmful vapors



→ Electric shock hazard



→ Notes give important information which should be given special attention.

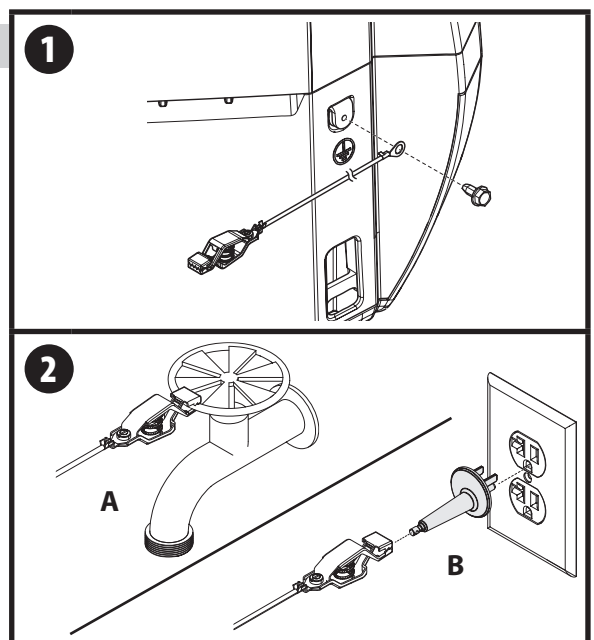
GROUNDING INSTRUCTIONS



When spraying combustible or non-water-based materials, the sprayer must be grounded. The sprayer includes two different types of grounding wires. Follow the steps below to properly ground the sprayer.

Do not spray or clean with liquids having a flash point of less than 38°C (100°F). Flash point is the temperature at which a fluid can produce enough vapor to ignite.

1. Remove the ground screw located at the rear of the unit above the left size clip. Use the ground screw to attach the grounding wire (with the clip attached) to the unit.
2. When ready to spray,
 - A. Attach the clip to an outdoor pipe fixture, or
 - B. Plug the molded outlet plug into a grounded outlet/grounded extension cord and then attach the clip to the metal end of the molded plug.



SAFETY HAZARDS



WARNING: INJECTION INJURY

A high pressure paint stream produced by this equipment can pierce the skin and underlying tissues, leading to serious injury and possible amputation. See a physician immediately.

PREVENTION:

- Do not aim the gun at, or spray any person or animal.
- Keep hands and other body parts away from the discharge. For example, do not try to stop leaks with any part of the body.
- NEVER put your hand in front of the gun. Gloves will not provide protection against an injection injury.
- ALWAYS keep the tip guard in place while spraying. The tip guard provides some protection but is mainly a warning device.
- Only use a nozzle tip specified by the manufacturer.
- Use caution when cleaning and changing nozzle tips. In the case where the nozzle tip clogs while spraying, ALWAYS lock gun trigger, shut pump off, and release all pressure before servicing, cleaning tip or guard, or changing tip. Pressure will not be released by turning off the motor. The PRIME/SPRAY valve or pressure bleed valve must be turned to their appropriate positions to relieve system pressure. Refer to PRESSURE RELIEF PROCEDURE described in the pump manual (page 10).
- Do not leave the unit energized or under pressure while unattended. When the unit is not in use, turn off the unit and relieve the pressure in accordance with the manufacturer's instructions.
- High-pressure spray is able to inject toxins into the body and cause serious bodily injury. In the event that injection occurs, seek medical attention immediately.
- Check hoses and parts for signs of damage, a leak can inject material into the skin. Inspect hose before each use. Replace any damaged hoses or parts. Only use Titan original-high-pressure hoses in order to ensure functionality, safety and durability.
- This system is capable of producing 1600 PSI / 11.1 MPa. Only use replacement parts or accessories that are specified by the manufacturer and that are rated a minimum of 1600 PSI. This includes spray tips, nozzle guards, guns, extensions, fittings, and hose.
- Always engage the trigger lock when not spraying. Verify the trigger lock is functioning properly.
- Verify that all connections are secure before operating the unit.
- Know how to stop the unit and bleed pressure quickly. Be thoroughly familiar with the controls. Pressure will not be released by turning off the motor. The PRIME/SPRAY valve or pressure bleed valve must be turned to their appropriate positions to relieve system pressure. Refer to PRESSURE RELIEF PROCEDURE described in the pump manual (page 10).
- Always remove the spray tip before flushing or cleaning the system.



NOTE TO PHYSICIAN: Injection into the skin is a traumatic injury which can lead to possible amputation. It is important to treat the injury as soon as possible. DO NOT delay treatment to research toxicity. Toxicity is a concern with some coatings injected directly into the blood stream. Consultation with a plastic surgeon or reconstructive hand surgeon may be advisable.



WARNING: ELECTRIC SHOCK

This product can cause injury due to electric shock.

PREVENTION:

- Avoid body contact with earthed or grounded surfaces, such as pipes, radiators, ranges and refrigerators. There is an increased risk of electric shock if your body is earthed or grounded.
- Do not expose power tools to rain or wet conditions. Water entering a power tool will increase the risk of electric shock.



WARNING: EXPLOSION OR FIRE


Solvent and paint fumes can explode or ignite. Severe injury and/or property damage can occur.

PREVENTION:

- Do not spray flammable or combustible materials near an open flame, pilot lights or sources of ignition such as hot objects, cigarettes, motors, electrical equipment and electrical appliances. Avoid creating sparks from connecting and disconnecting power cords.
- Do not spray or clean with liquids having a flash point of less than 38°C (100°F). Flash point is the temperature at which a fluid can produce enough vapor to ignite.
- Paint or solvent flowing through the equipment is able to result in static electricity. Static electricity creates a risk of fire or explosion in the presence of paint or solvent fumes. All parts of the spray system, including the pump, hose assembly, spray gun and objects in and around the spray area shall be properly grounded to protect against static discharge and sparks. Use only conductive or grounded high-pressure airless paint sprayer hoses specified by the manufacturer.
- Verify that all containers and collection systems are grounded to prevent static discharge.
- Do not use a paint or solvent containing halogenated hydrocarbons. Such as chlorine, bleach mildewcide, methylene chloride and trichloroethane. They are not compatible with aluminum. Contact the coating supplier about compatibility of material with aluminum.
- Keep spray area well ventilated. Keep a good supply of fresh air moving through the area to keep the air within the spray area free from accumulation of flammable vapors. Keep pump assembly in well ventilated area. Do not spray pump assembly.
- Do not smoke in the spray area.
- Do not operate light switches, engines, or similar spark producing products in the spray area.
- Keep area clean and free of paint or solvent containers, rags, and other flammable materials.
- Know the contents of the paint and solvents being sprayed. Read all material Safety Data Sheets (SDS) and container labels provided with the paints and solvents. Follow the paint and solvent manufacture's safety instructions.
- Place pump at least 20 feet (6 meters) from the spray object in a well ventilated area (add more hose if necessary). Flammable vapors are often heavier than air. Floor area must be extremely


well ventilated. The pump contains arcing parts that emit sparks and can ignite vapors.

- Plastic can cause static sparks. Never hang plastic to enclose spray area. Do not use plastic drop cloths when spraying flammable material.
- Fire extinguisher equipment shall be present and working.

	<p>WARNING: HAZARDOUS VAPORS</p> <p>Paints, solvents, insecticides, and other materials can be harmful if inhaled or come in contact with the body. Vapors can cause severe nausea, fainting, or poisoning.</p>
---	--

PREVENTION:

- Use a respirator or mask if vapors can be inhaled. Read all instructions supplied with the mask to be sure it will provide the necessary protection.
- Wear protective eyewear.
- Wear protective clothing as required by coating manufacturer.

	<p>WARNING: GENERAL</p> <p>Can cause severe injury or property damage.</p>
---	---

PREVENTION:

- Always wear appropriate gloves, eye protection, clothing and a respirator or mask when painting.
- Do not operate or spray near children. Keep children away from equipment at all times.
- Do not overreach or stand on an unstable support. Keep effective footing and balance at all times.
- Stay alert and watch what you are doing.
- Do not operate the unit when fatigued or under the influence of drugs or alcohol.
- Do not kink or over-bend the hose. Airless hose can develop leaks from wear, kinking and abuse. A leak can inject material into the skin.
- Do not expose the hose to temperatures or pressures in excess of those specified by manufacturer.
- Do not use the hose as a strength member to pull or lift the equipment.
- Use lowest possible pressure to flush equipment.
- Follow all appropriate local, state and national codes governing ventilation, fire prevention and operation.
- The United States Government Safety Standards have been adopted under the Occupational Safety and Health Act (OSHA). These standards, particularly part 1910 of the General Standards and part 1926 of the Construction Standards should be consulted.
- Before each use, check all hoses for cuts, leaks, abrasion or bulging of cover. Check for damage or movement of couplings. Immediately replace hose if any of those conditions exist. Never repair a paint hose. Replace with a conductive high-pressure hose.
- Do not spray outdoors on windy days.

CHARGER SAFETY RULES

1. **SAVE THESE INSTRUCTIONS** – This manual contains important safety and operating instructions for battery charger model GAL18V-40. Do not substitute any other charger.
2. **Before using battery charger, read all instructions and warning markings on (1) battery charger, (2) battery pack, and (3) product using battery.**
3. **To reduce the risk of injury, charge only rechargeable batteries listed on the battery list.** Other types of batteries may burst causing personal injury and damage.
4. **Charge battery pack in temperatures above +32 degrees F (0 degrees C) and below +113 degrees F (45 degrees C). Store tool and battery pack in locations where temperatures will not exceed 120 degrees F (49 degrees C).** This is important to prevent serious damage to the battery cells.
5. **Do not recharge battery in damp or wet environment. Do not expose charger to rain or snow.** Water entering battery charger may result in electric shock or fire.
6. **Never submerge battery pack, tool or charger in fluid of any kind or allow fluid to enter them.** Corrosive or conductive fluid (such as seawater or industrial chemical or bleach containing products, etc.) can cause short circuit which may result in fire, personal injury and property damage.
7. **Battery leakage may occur under extreme usage or temperature conditions. Avoid contact with skin and eyes.** The battery liquid is caustic and could cause chemical burns to tissues. If liquid comes in contact with skin, wash quickly with soap and water. If the liquid contacts your eyes, flush them with water for a minimum of 10 minutes and seek medical attention.
8. **Place charger on flat nonflammable surfaces and away from flammable materials when recharging battery pack.** Carpeting and other heat insulating surfaces block proper air circulation which may cause overheating of the charger and battery pack. If smoke or melting of the charger or battery pack is observed, unplug the charger immediately and do not use the battery pack or charger. Contact customer service immediately.
9. **Make sure cord is located so that it will not be stepped on, tripped over, or otherwise subjected to damage or stress.** Damaged plug and cord may result in electric shock or fire.
10. **Disconnect the charger by pulling the plug rather than the cord. Do not operate charger with damaged cord or plug; have them replaced immediately.** Damaged plug or cord may result in electric shock or fire.
11. **Do not insert battery pack in charger if battery pack case is cracked.** Using damaged battery pack may result in electric shock or fire.
12. **Do not disassemble charger or operate the charger if it has received a sharp blow, been dropped or otherwise damaged in any way.** Incorrect reassembly or damage may result in electric shock or fire.
13. **Before each use, check the battery charger, cable, plug and battery pack. Do not use if damage is detected. Never open the battery charger or battery pack yourself, take it to a qualified serviceman only using original replacement parts.** Incorrect reassembly or using damaged product may result in electric shock or fire.
14. **Do not use attachments not recommended or sold by Bosch/AMPSHare.** Using attachments not recommended may result in electric shock or fire.
15. **Do not store battery pack in charger.** Battery pack stored in

charger over a long period of time could lead to battery pack damage and fire.

- 16. **Unplug charger from outlet before storage, attempting any maintenance or cleaning.** Such preventive safety measures reduce the risk of electric shock or fire.
- 17. **Keep the battery charger clean by wiping the charger housing with a damp cloth.** Contamination may result in electric shock or fire.
- 18. **Replace battery pack if a substantial drop in operating time per charge is observed.** Battery pack may be nearing the end of its life.

BATTERY CARE



When batteries are not in tool or charger, keep them away from metal objects. For example, to protect terminals from shorting **DO NOT** place batteries in a tool box or pocket with nails, screws, keys, etc. Fire or injury may result.

Do not expose a battery pack or appliance to fire or excessive temperature. Exposure to fire or temperature above 265°F (130°C) may cause explosion.

BATTERY DISPOSAL



Do not attempt to disassemble the battery or remove any component projecting from the battery terminals. Fire or injury may result. Prior to disposal, protect exposed terminals with heavy insulating tape to prevent shorting.

LITHIUM-ION BATTERIES

If equipped with a lithium-ion battery, the battery must be collected, recycled or disposed of in an environmentally sound manner.

Visit www.call2recycle.org or call 1-877-723-1297 for more information regarding proper disposal of lithium-ion (Li-ion) batteries, or for locations near you where batteries can be recycled.



EXTENSION CORDS



AN EXTENSION CORD SHOULD NOT BE USED UNLESS ABSOLUTELY NECESSARY. Use of improper extension cord could result in risk of fire and electrical shock. If an extension cord is used, make sure:

- a. The pins on plug of extension cord are the same number, size, and shape as those of plug on charger.
- b. The extension cord is properly wired and in good electrical condition.
- c. The wire size is large enough for AC ampere rating of charger as specified below:

Length of Cord, Feet	25	50	100	150
AWG Size of Cord	18	16	16	14

- d. An extension cord is a temporary solution. Move the charger to a standard receptacle as soon as the job has been completed.

IMPORTANT CHARGING NOTES

1. The charger was designed to fast charge the battery only when the battery temperature is between 32°F (0°C) and 113°F (45°C). If the battery pack is too hot or too cold, the charger will not begin charging the battery. (This may happen if the battery pack is hot from heavy use). Once the battery temperature returns to its safe charging temperature, between 32°F (0°C) and 113°F (45°C), the charger will automatically begin charging.
2. A substantial drop in operating time per charge may mean that the battery pack is nearing the end of its life and should be replaced.
3. Remember to unplug charger during storage period.
4. If battery does not charge properly:
 - a. Check for voltage at outlet by plugging in some other electrical device.
 - b. Check to see if outlet is connected to a light switch which turns power "off" when lights are turned off.
 - c. Check battery pack terminals and charger connectors for dirt. Clean with cotton swab and alcohol if necessary.
 - d. If you still do not get proper charging, call Titan Customer Service at 1-800-526-5362.



Use of chargers or battery packs not sold by Bosch/AMPSHare will void the warranty.

FCC CAUTION

The manufacturer is not responsible for radio interference caused by unauthorized modifications to this equipment. Such modifications could void the user's authority to operate the equipment.

This device complies with Part 15 of the FCC Rules. Operation is subject to the following two conditions:

- 1) This device may not cause harmful interference, and
- 2) This device must accept any interference received, including interference that may cause undesired operation.

NOTE! This equipment has been tested and found to comply with the limits for a Class B digital devices, pursuant to Part 15 of the FCC rules. These limits are designed to provide reasonable protection against harmful interference in a residential installation. This equipment generates uses and can radiate radio frequency energy and, if not installed and used in accordance with the instructions, may cause harmful interference to radio communications. However, there is no guarantee that interference will not occur in a particular installation. If this equipment does cause harmful interference to radio or television reception, which can be determined by turning the equipment off and on, the user is encouraged to try to correct the interference by one or more of the following measures:

- Reorient or relocate the receiving antenna.
- Increase the separation between the equipment and receiver.
- Connect the equipment into an outlet on a circuit different from that to which the receiver is connected.
- Consult the dealer or an experienced radio/TV technician for help. Consult the dealer or an experienced radio/TV technician for help.

ELECTRONIC CELL PROTECTION (ECP)

The lithium ion battery is protected against deep discharging by the "Electronic Cell Protection (ECP)". When the battery is empty, the tool is switched off by means of a protective circuit.

The battery is supplied partially charged. Completely charge the battery before using your cordless power tool for the first time. The lithium ion battery can be charged at any time, without reducing its service life. Interrupting the charging procedure does not damage the battery.

BATTERY / CHARGER LIST

For this product, use only the Bosch/AMPSHare model batteries and charger listed below:

	Brand	Model	Part Number
Battery:	Bosch/AMPSHare	BAT612	2443401
Charger:	Bosch/AMPSHare	GAL18V-40	2456126



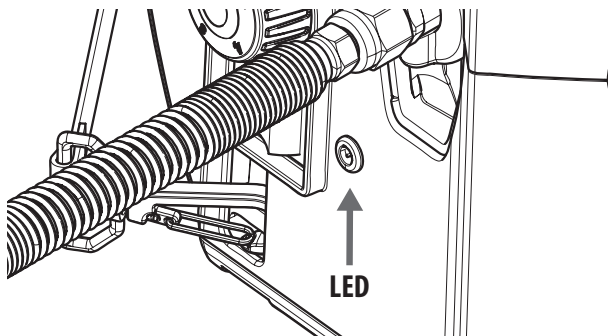
Use of any other battery packs may create risk of injury or fire.



Use of chargers or battery packs not sold by Bosch/AMPSHare will void the warranty.

STATUS CODES

The sprayer is equipped with an LED light that gives the current working status of the unit and battery.



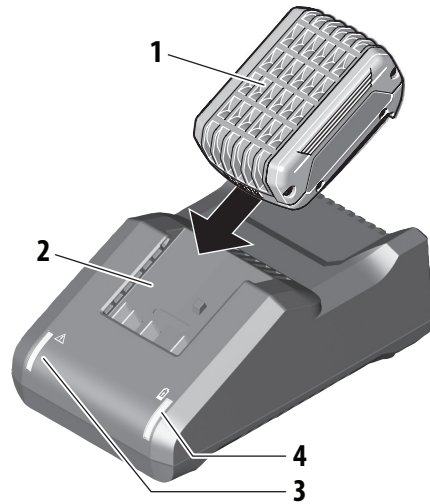
Light	Meaning
Continuously lit	→ Battery sufficiently charged, sprayer functioning normally
Alarm noise	→ Battery approximately 30 seconds from being depleted. Perform Pressure Relief Procedure and charge battery immediately.
Single flash	→ Battery needs to be recharged.
Two flashes	→ High current shutdown. Perform pressure relief procedure and contact Technical Service.
Three flashes	→ High motor temperature. Perform pressure relief procedure and allow unit to cool. If problem persists, contact Technical Service.

CHARGING BATTERY PACK

The battery charger charges the battery. The charger will bring a fully depleted battery to a full charge in approximately 45 minutes.

Plug charger cord into your standard power outlet.

With no battery pack inserted, the charger's green indicator light will go ON. This indicates the charger is receiving power and the charger is ready for operation.



When you insert the battery pack (1) into the charger (2). The charger's green indicator light (4) will begin to "BLINK". This indicates that the battery is receiving a fast charge.

Once approximately 80% battery capacity has been reached, the blinking of green light will slow down, indicating that fast charging is now complete. If battery remains in charger, the charging process is completed in Long Life charging mode.

The purpose of the rapidly "BLINKING" green light is to indicate that the battery pack is fast-charging. It does not indicate the exact point of full charge. The light will stop blinking when battery is fully charged.



Continuous green battery charger light (4) indicates that the battery is fully charged.

However, the battery pack may be used at any time, even if the green light is still blinking.



A steady red indicator light (3) means that the battery pack is outside the proper temperature ranges (too hot or too cold) so the charger will not begin the charging process. Charging (Fast or long Life Charging Mode) is only possible when the temperature range of the battery pack is between 32°F (0°C) and 113°F (45°C).

As soon as the battery pack reaches the correct temperature range, the battery charger will automatically switch to fast charging.



If the red indicator light (3) is "BLINKING", the battery pack cannot accept a charge. This may be due to the contacts on the charger or battery pack is contaminated, the battery pack itself may be defective, or battery may be wrong type for this charger.

- Confirm battery compatibility with charger by checking list of genuine Bosch/AMPSHare battery packs
- If applicable, insert another compatible battery pack into charger to verify charger is working properly.
- Clean the contacts of the charger or battery pack (e. g. by using a cotton swab and alcohol on battery and charger terminals or inserting and removing the battery several times) or replace the battery pack, as required.

When the battery pack is fully charged, unplug the charger (unless you're charging another battery pack) and slip the battery pack back into the tool.

SPECIFICATIONS

	Impact X 120 18V
Maximum Pressure	1600 PSI (11.1 MPa)
Flow Rate	0.24 GPM (0.91 LPM)
Tank Capacity	1.25 gallon (4.7 l)
Max. tip	0.017"
Max. hose length	50' (9' is included)
Power Requirement	2- 8 Ah, 18V battery pack (4 Ah standard)
Overheating protection	This sprayer has a built-in protective device to prevent damage from overheating. The sprayer may automatically shut down after heavy use. If this happens, turn switch OFF (0), remove the battery and allow to cool for 20-30 minutes and resume spraying.

CAPABILITY

Sprays a variety of paints (oil-based and latex), primers, stains, preservatives and other nonabrasive materials.

DO NOT USE!

This pump should not be used with textured materials, block filler, industrial enamels, or asphalt sealer or materials containing HHC. See coating supplier if flash point is not listed on the container.

Do not spray or clean with liquids having a flash point of less than 38°C (100°F). Flash point is the temperature at which a fluid can produce enough vapor to ignite.

SAFETY FEATURES

Spray gun trigger lock and pressure diffuser; built-in tip safety guard; PRIME/SPRAY knob for safe pressure release. Conforms to UL STD 1450. Certified to CSA C22.2 NO 68.

MODES OF USE

This sprayer can either be used as a regular stationary pump* or can be used in backpack mode.

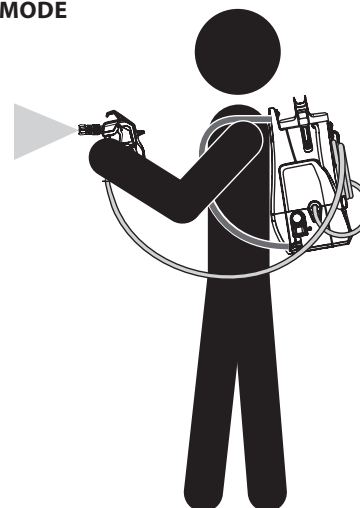


*In order to use in stationary mode, it is recommended that a longer hose be purchased separately.

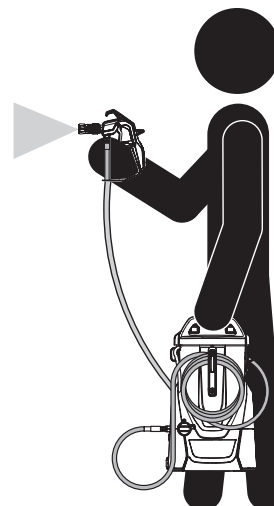
STATIONARY MODE

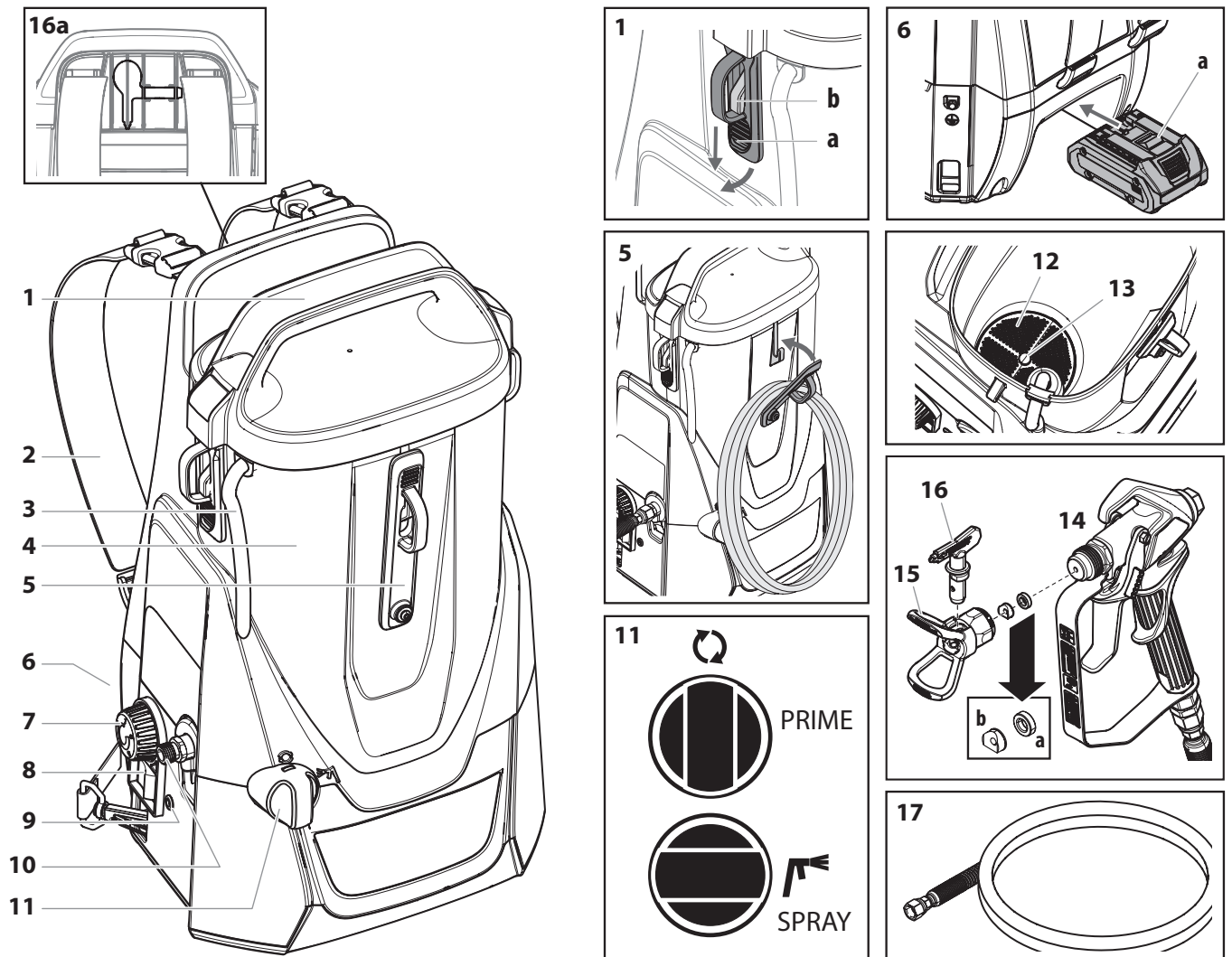


BACKPACK MODE



CARRY MODE





#	ITEM	DESCRIPTION
1	Tank lid / carry handle	When properly secured, the handle on top of the lid can be used to carry the unit. To remove the lid, pull the tabs (a) on the sides of the lid down and away from the tank. These tabs must be latched underneath the hooks (b) on the sides of the tank to be properly secured.
2	Straps	The straps allow the user to 'wear' the unit like a backpack for increased mobility. It is recommended that the straps be adjusted to fit the user prior to the unit being used. To tighten, pull the excess strap down from the slider. To loosen, allow the strap to come back up through the slider.
3	Material return tube	Fluid is sent out through the return tube and back into the tank when the PRIME/SPRAY knob is in the PRIME position.
4	Tank	Where the spray material is drawn from.
5	Hose wrap	When using in backpack mode, the excess hose can be looped and secured here.
6	Battery compartment	The battery pack (a) powers the unit. During usage it is installed in the area at the bottom of the unit on the same side as the straps.
7	Speed control knob	The speed control knob regulates the amount of force the pump uses to push the fluid and can be adjusted for desired spray pattern.
8	ON/OFF switch	Switches the unit ON (I) and OFF (O).
9	LED indicator	See "Error Codes", page 6.
10	Material outlet	The connection between the pump and the spray hose.
11	PRIME/SPRAY knob	The PRIME/SPRAY knob directs material to the material return tube when set to PRIME or to spray hose when set to SPRAY. The PRIME/SPRAY knob can be turned in either direction to desired setting.
12	Inlet filter	The inlet filter is designed to prevent any debris that may be in the spray material from entering the pump.
13	Pusher valve	The pusher valve is designed to free the inlet valve which may become stuck due to dried materials. The pusher stem is activated manually by the user.
14	Spray gun	The spray gun controls the delivery of the material being pumped.
15	Tip guard	The spray guard reduces the risk of injection injury. Washer (a) and saddle seat (b) come preassembled inside the spray guard.
16	Spray tip	The spray tip atomizes the spray material and forms the spray pattern. Extra tips can be stored in the rear of the unit (a).
17	Spray hose	The spray hose connects the spray gun to the pump.

ASSEMBLY



Do not install the battery until assembly is complete.



Remove the plastic cap from the material outlet and the plastic plug from the end of the spray hose prior to assembly.

TOOLS NEEDED

- Two 6" adjustable wrenches

ATTACH THE STRAPS

1. Insert the clips into the strap holders as shown until they snap into place. Do this for both straps.
2. The thick part of the strap should bow inwards to the center of the unit.
3. Add strap clips to the mounting points on the bottom of the unit. Make sure the clips are oriented as shown.

The user should place the unit over their shoulders prior to filling the tank to make sure the straps are adjusted properly.

ATTACH THE HOSE

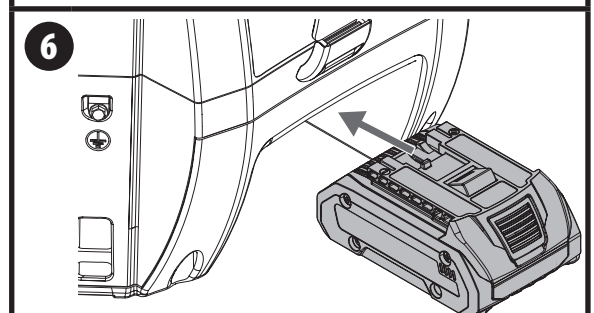
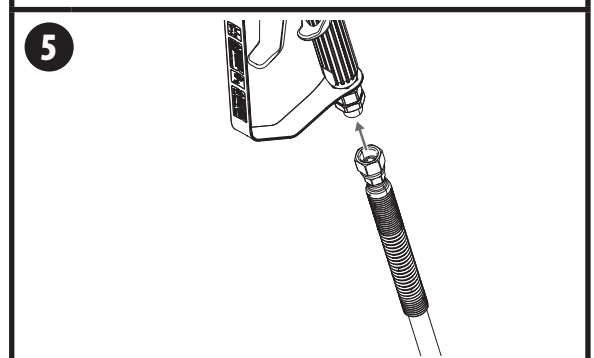
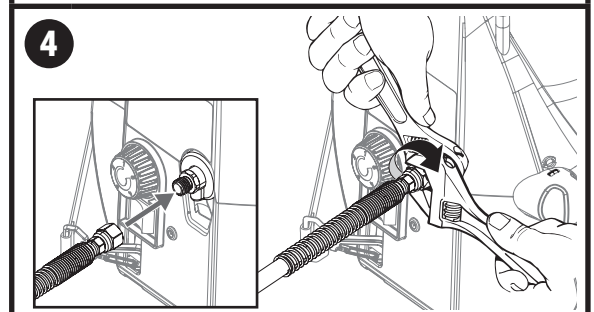
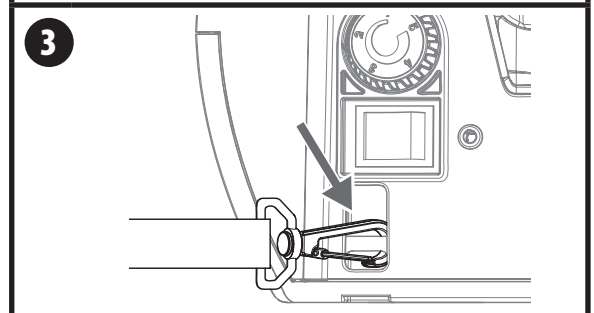
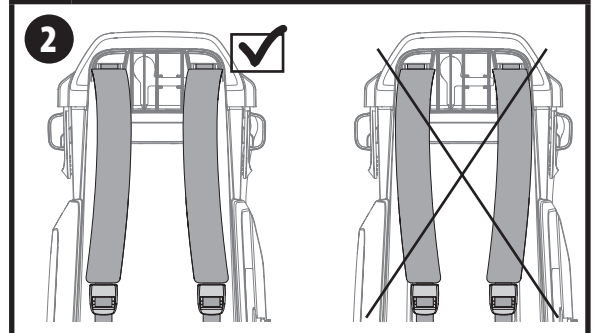
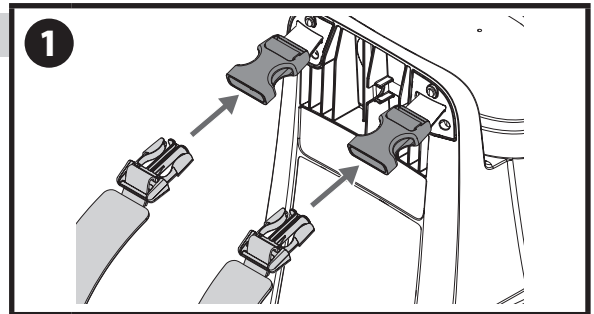
4. Thread one end of the high pressure spray hose to the material outlet. Hold the port with an adjustable wrench, and tighten the hose with the other. Do not over-tighten.
5. Thread the other end of the hose onto the fitting on the bottom of the spray gun. Tighten the hose with a wrench.

INSTALL THE BATTERY



Prior to installing the battery, make sure it has been sufficiently charged. Refer to Charging the Battery Pack, page 6.

6. Slide the charged battery into the unit as shown. Make sure it clicks into place.





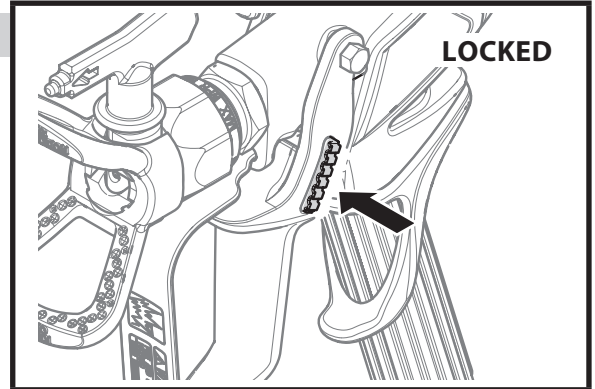
This section contains instructions that will be repeated throughout this manual. Read and understand this section before using the equipment.

SPRAY GUN TRIGGER LOCK

Engage the trigger lock whenever instructed.

To lock the trigger, push in the trigger lock from **left to right**, when looking at the rear of the gun.

To unlock the trigger, push the trigger lock from **right to left**, when looking at the rear of the gun.



PRESSURE RELIEF PROCEDURE

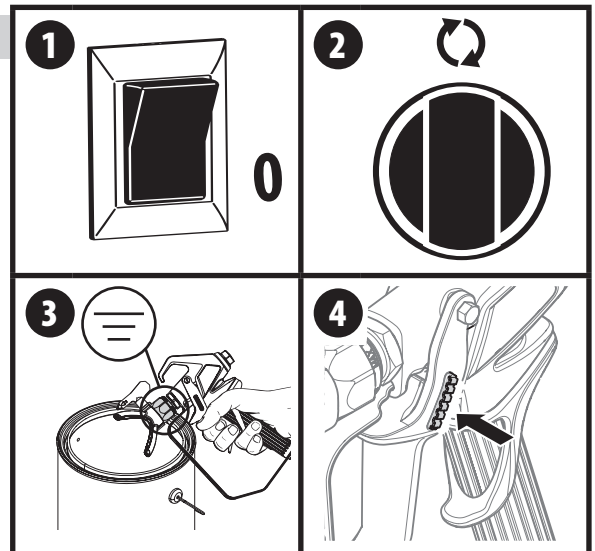


Be sure to follow the Pressure Relief Procedure when shutting the unit off for any purpose. This procedure is used to relieve pressure from the spray hose.



Explosion hazard. Make sure the spray gun is grounded (⊖) when relieving pressure. Hold the metal nut on the tip guard or diffuser firmly against a metal container when instructed to trigger the gun.

1. Turn the power OFF (0).
2. Lock the spray gun. Turn the PRIME/SPRAY knob to PRIME.
3. Unlock the spray gun. Briefly pull the trigger to fully relieve pressure from the system (see Explosion Hazard warning above).
4. Lock the spray gun.



MOVING / EMPTYING THE SPRAYER

When lifting the sprayer in order to move it or to empty the tank, secure with both hands in the grooved handle area in the battery garage and on the top handle.



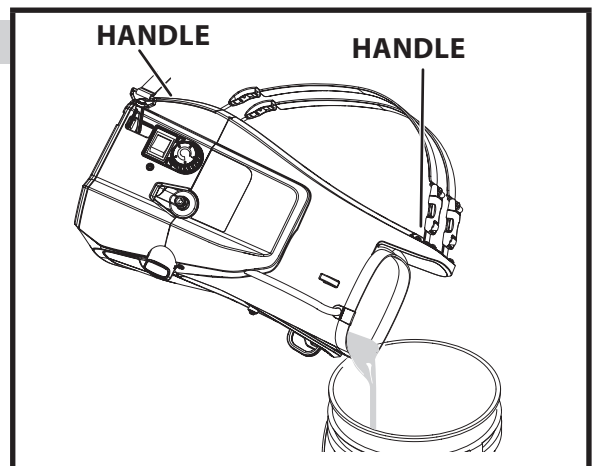
The sprayer can be heavy when filled with spraying material. Make sure to lift with your legs and not your back in order to reduce the risk of injury.



Attention

Do not use the hose as a strength member to pull or lift the equipment.

This pump is liquid-cooled. Do not allow the sprayer to run without paint or water in the tank.





These steps will prime the system and get it ready to spray.

YOU WILL NEED

- The material you plan to spray
- Waste bucket



Recommendation: It is good practice to perform the steps on this page using water to familiarize yourself with the function of the unit as well as to ensure the unit is set up properly.



Recommendation: Always use new spray material or material that has been thoroughly strained. Old material often contains debris that can clog the system.



Attention

Take care to prevent material spills. Make sure to use drop cloths and mask anything that is in the spraying area and could accidentally be sprayed.

1. Remove the tank lid. Push tab on filter twice to ensure inlet valve operation.
2. Fill the tank with spray material. Pull the return tube from the tank and hold it over a waste container.
3. Turn the PRIME/SPRAY knob to PRIME.
Turn the power ON (I). Do not run the sprayer dry.
Slowly turn the speed control knob clockwise to setting '2'.
4. Allow pump to run until you see spray material flowing from the return tube (A).
5. Turn power OFF (0).
Place return tube back into position over the tank (B). Make sure the grommet is positioned correctly into the slot on the tank.
Replace the tank lid. Make sure the lid tabs (C) are in position over the hooks.



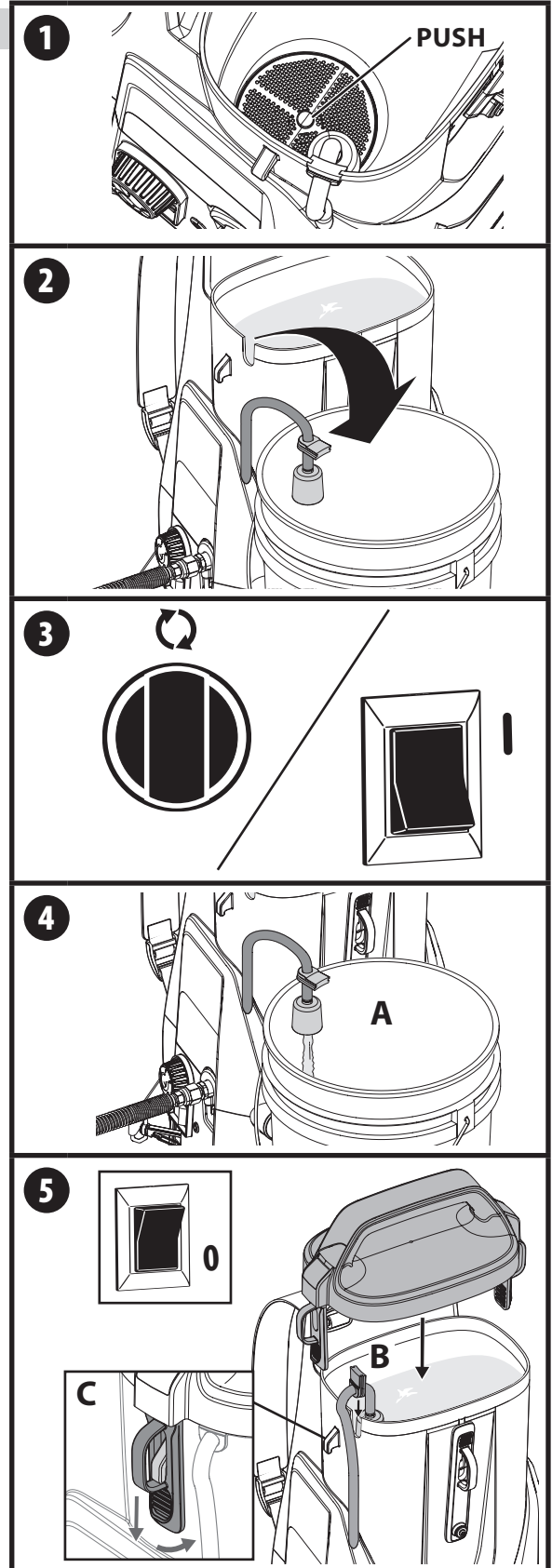
For consistent color results, add spray material regularly in order to mix it.

When the tank empties, stop spraying immediately. Turn the PRIME/SPRAY knob to PRIME and refill the tank. It is recommended to refill the tank before it is completely empty. This is to prevent air pockets that can affect the quality of your finish.



Attention

The tank lid should fit snugly over the tank, but it is not designed to be air- or liquid-tight. Do not tip the unit more than 30° from vertical when it is filled with spray material. There will be an audible warning beep if the unit is tipped beyond this point.





Follow these steps to deliver spray material from the tank to the spray gun.

YOU WILL NEED

- Waste bucket,
- Scrap material / cardboard
- Adjustable wrench
- Drop cloths to protect floors and furnishings from overspray

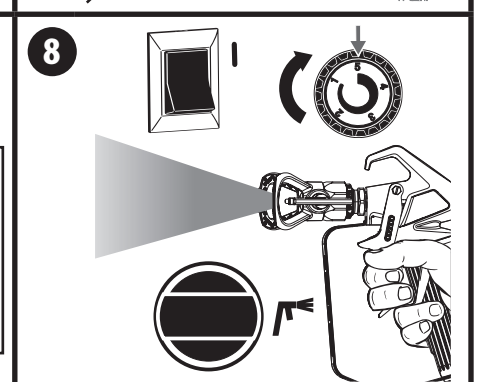
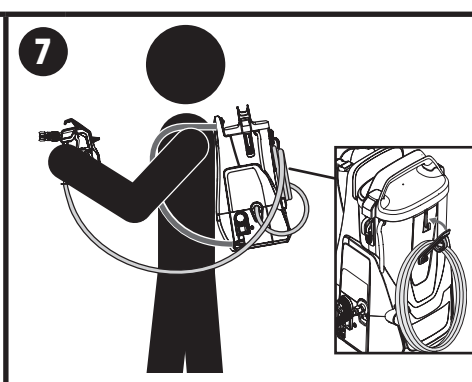
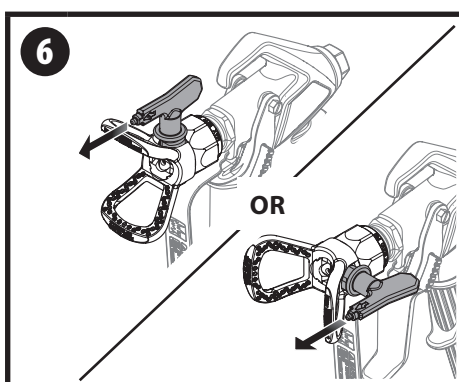
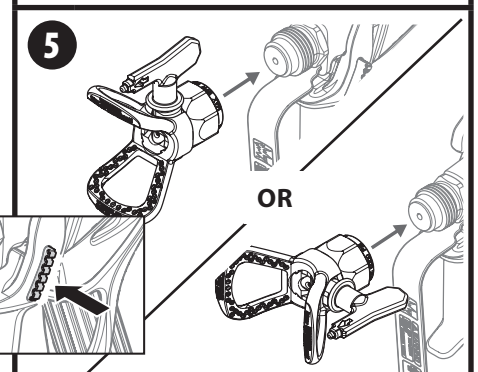
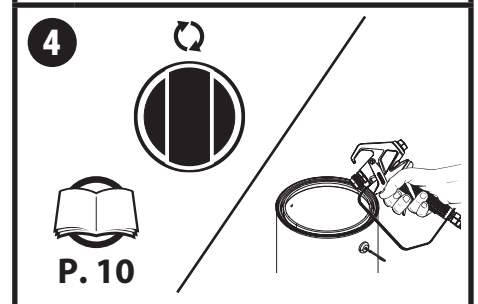
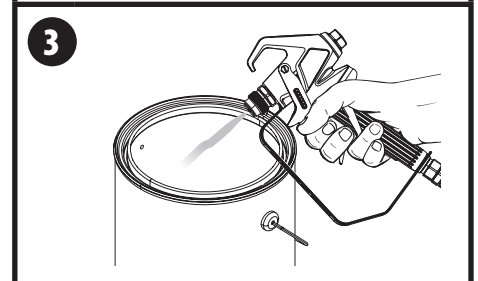
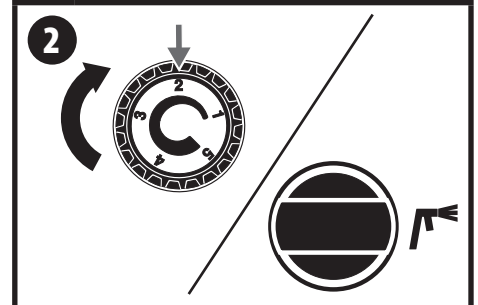
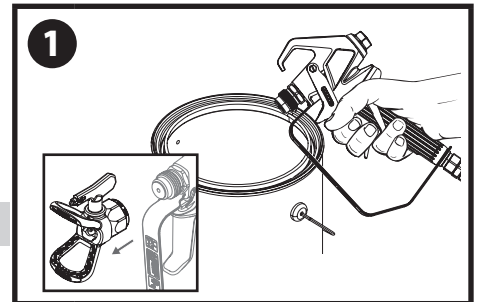
- 1. Make sure the tip and spray guard are removed.** Point the spray gun into a separate waste container. Unlock the spray gun trigger. **Squeeze and hold trigger for steps 2-3.**
- Turn the power ON (I). Slowly turn the speed control knob clockwise to setting '2'.
Turn the PRIME/SPRAY knob to SPRAY.
- Continue to squeeze trigger until the material is flowing freely through the spray gun.
- Perform the **Pressure Relief Procedure**, page 10.
- Make sure the spray gun trigger is locked. Thread the spray tip guard assembly onto the gun. Tighten with a wrench.
- Make sure the spray tip is rotated forward to the spray position, with the arrow on the tip facing forward.
Unlock the spray gun trigger.
- If using in backpack mode, carefully put the straps over your shoulders and mount the unit. Make sure any excess hose is stored in the hose wrap.
- Turn the power ON (I). Turn the PRIME/SPRAY knob to SPRAY. Slowly turn the speed control knob clockwise to the maximum setting (5).
Point the spray gun at a piece of scrap material/cardboard.
Pull the trigger and practice spraying (see page 13).



Motor will cycle ON and OFF while spraying to regulate pressure. This is normal.

The sprayer will not blow air. There must be spray material or water in the tank.

Do not run the sprayer without spray material or water in the tank.



YOU WILL NEED

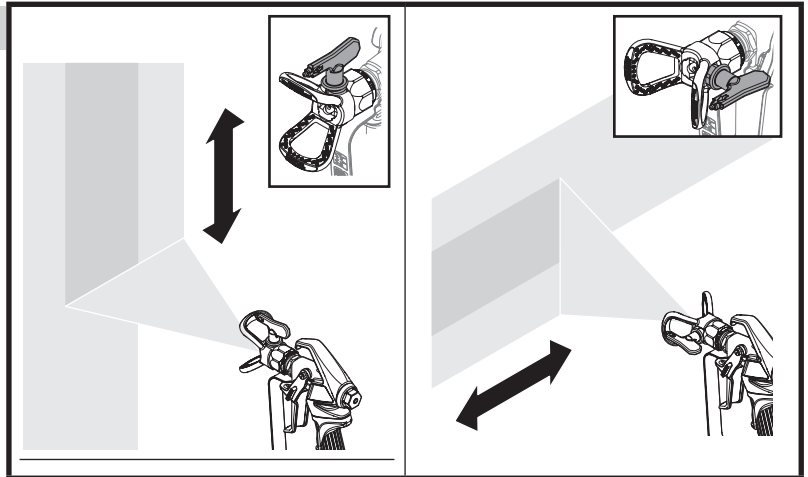
- A surface to practice spraying (wood, cardboard or scrap drywall)

While spraying, the spray guard / tip assembly can be rotated to better suit your spraying motion.



Lock the spray gun trigger prior to rotating the spray guard / tip assembly.

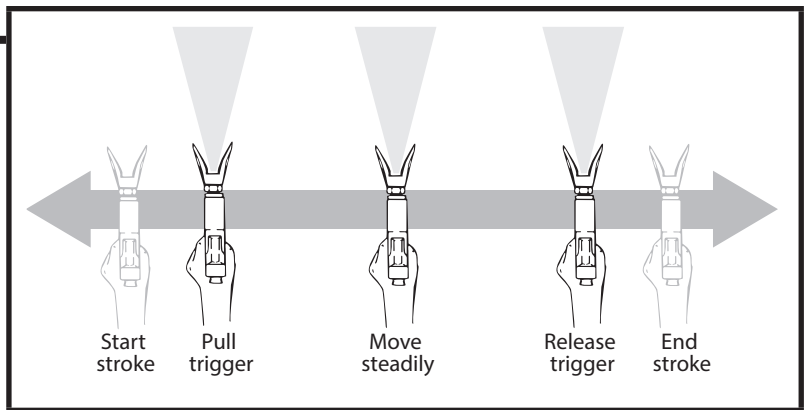
Make sure the spray guard nut is not loosened after rotating.



Trigger gun after starting the stroke. Release the trigger before ending the stroke.

The spray gun should be moving when the trigger is pulled and released.

Overlap each stroke by about 50%. This will ensure an even coating.

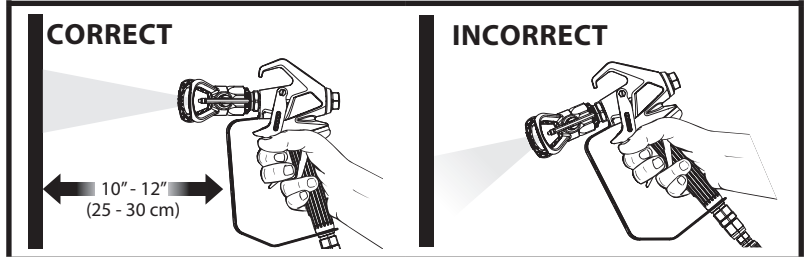
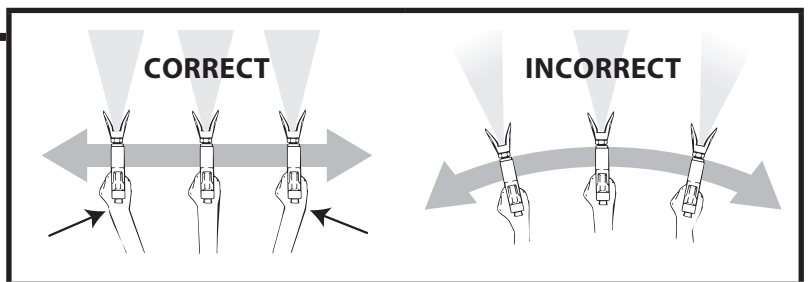


Flex your wrist as you move in order to keep gun parallel to the surface.

Hold the spray gun level.



The distance from the spray gun to the spray object should not exceed 16 inches.



If the spray pattern becomes distorted or stops spraying completely while the gun is triggered, follow any or all the procedures listed on pages 14-15.

If you plan to be away from your spray project for more than one hour, follow the Short Term Storage instructions on page 16.

If you have difficulty achieving a good spray pattern, your spray tip may not be ideal for the type of material you are spraying. Refer to Troubleshooting page, 22.



If the spray pattern becomes distorted or stops spraying completely while the gun is triggered, the spray tip or spray gun filter could be clogged. Follow the steps below.

UNCLOGGING THE SPRAY TIP

YOU WILL NEED:

- Scrap material / cardboard



Do not attempt to unclog or clean the tip with your finger. High pressure fluid can cause injection injury.

- Lock the spray gun.
- Rotate spray tip 180 degrees from its current position.

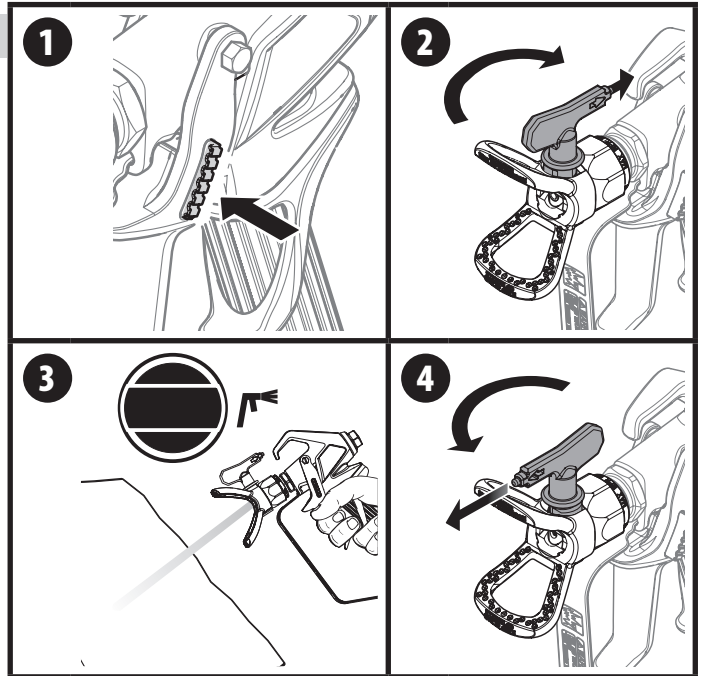


If spray tip is difficult to rotate, relieve pressure by:

- slowly turn PRIME/SPRAY knob to PRIME,
- unlock the spray gun and
- squeeze trigger while pointing at scrap material/cardboard.

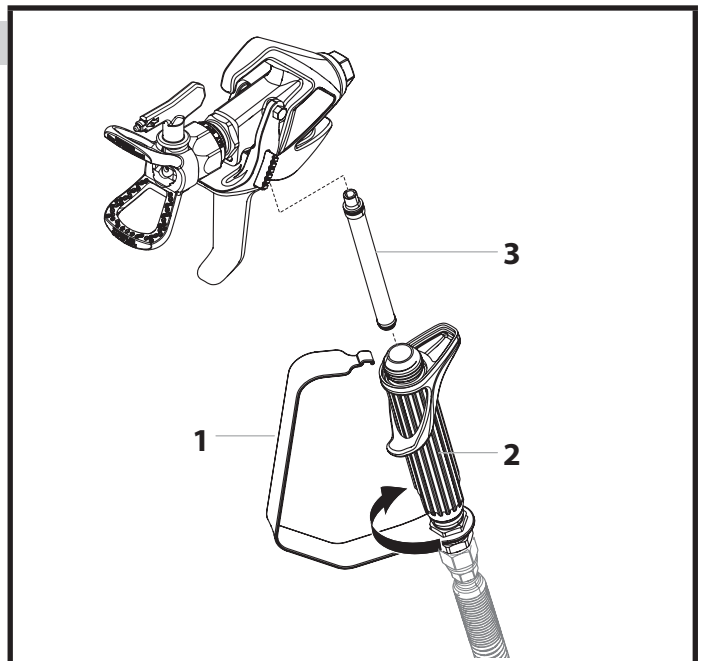
Release trigger, lock the spray gun, and try rotating spray tip again.

- Make sure the PRIME/SPRAY knob is turned to SPRAY. Unlock the spray gun. Point at a piece of scrap material / cardboard and squeeze trigger until material comes out in a high pressure stream. Release the trigger and lock the spray gun.
- Rotate spray tip forward to the spray position. Unlock the spray gun and resume spraying.



UNCLOGGING THE SPRAY GUN FILTER

- Unclip the top of the trigger guard (1) from the gun head.
- Using the bottom of the trigger guard as a wrench, loosen and remove the handle assembly (2) from the gun head.
- Pull the old filter (3) out of the gun head. Clean or replace.
- Slide the new filter, tapered end first, into the gun head.
- Thread the handle assembly into the gun head. Tighten with the trigger wrench.
- Snap the trigger guard back onto the gun head.





If the spray pattern becomes distorted or stops spraying completely while the gun is triggered, the inlet filter could be clogged. Follow the steps below.

YOU WILL NEED

- Warm, soapy water for latex material
- Mineral spirits for oil based materials



Attention

Make sure your floors and furnishings are covered with drop cloths to prevent accidental drips.

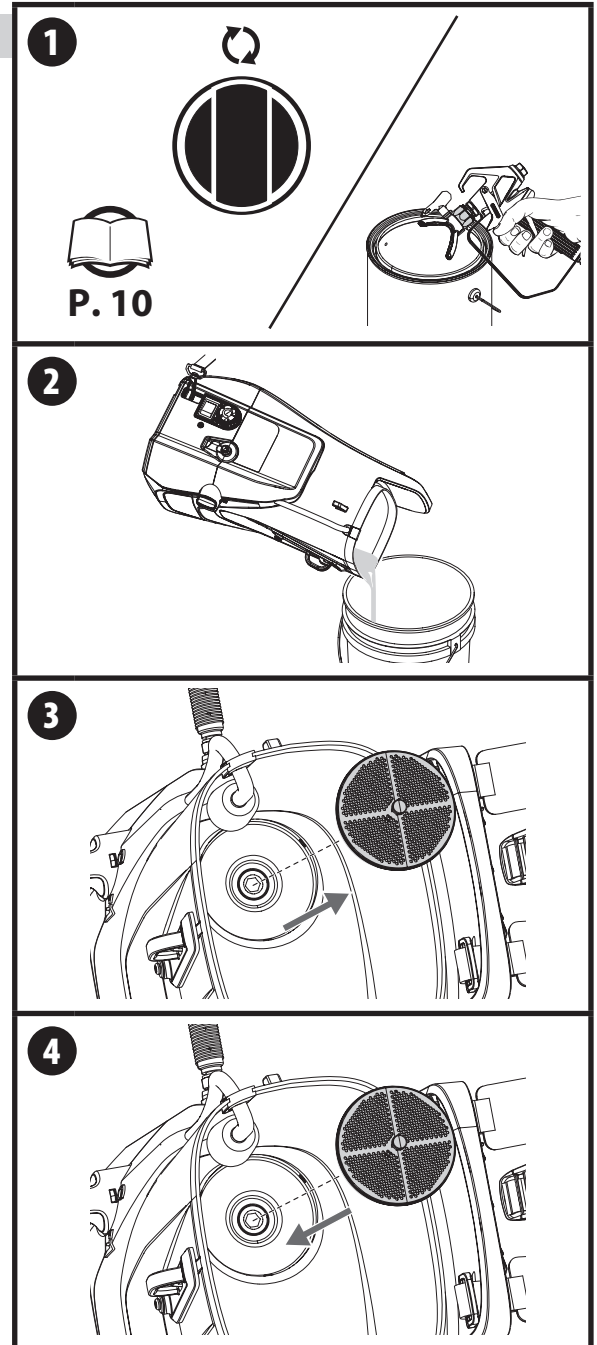
1. Perform the **Pressure Relief Procedure**, page 10.
2. Empty the tank of spray material (see **Moving / Emptying the Sprayer**, page 10. Do not run the sprayer without spray material or water in the tank.
3. Remove inlet filter from tank.
Clean the inlet filter using the appropriate cleaning solution (warm, soapy water with latex- and water-based materials, mineral spirits with oil-based paints or stains).
4. Snap the inlet filter back into place.
Resume spraying (follow steps on pages 12-13)



If the inlet filter clogs, it is a good idea to strain the material you are using prior to filling the hopper.



If after completing all of the steps in **Spraying Troubleshooting** you are still experiencing problems spraying, refer to the **Troubleshooting** section (page 22).





This procedure should be used when taking a short term break or when ending your project for the day. If your break is longer than 16 hours follow Cleanup instructions, pages 17-18.

YOU WILL NEED

- Water
- Plastic bag
- Damp rags
- Stir stick



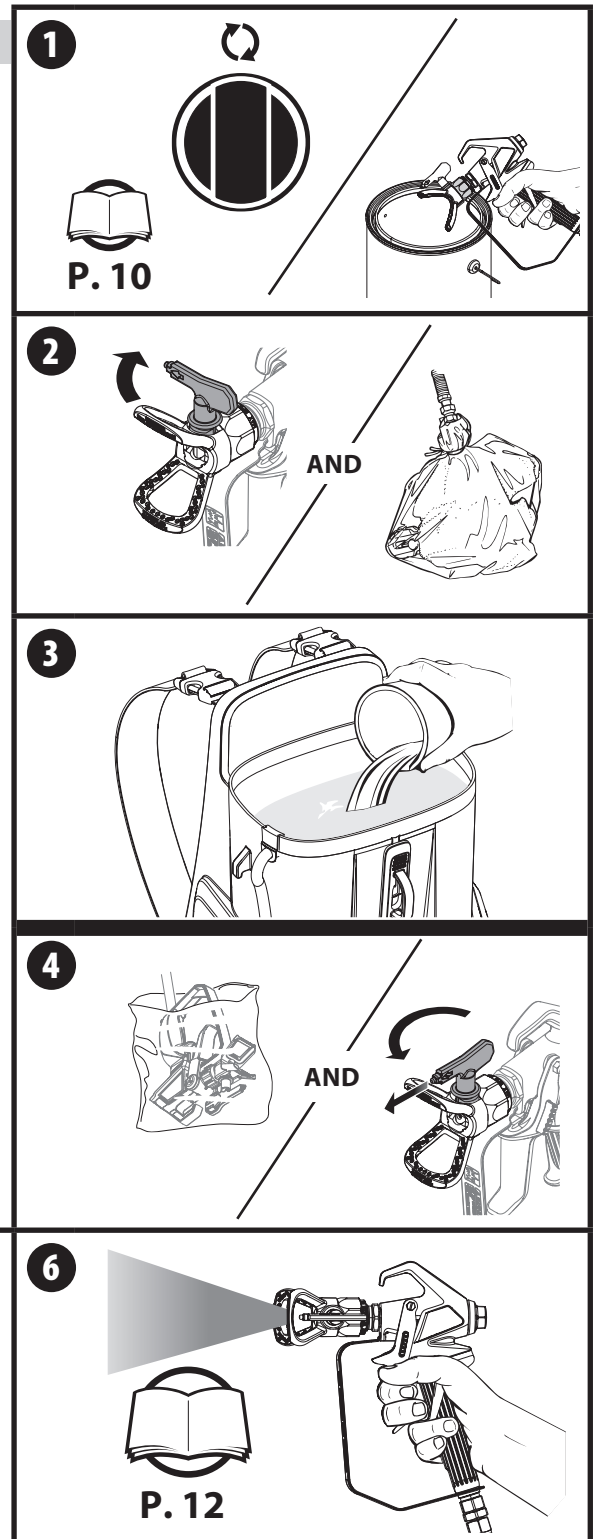
Instructions are for latex materials only! If using oil based material follow instructions for Cleanup on pages 17-18.

SHUTDOWN

1. Perform the **Pressure Relief Procedure**, page 10.
2. Turn spray tip 90°. This will prevent air from drying out any spray material that may be inside the spray tip. Wrap spray tip and guard in a damp rag and then place entire spray gun in plastic bag.
3. Pour 1/2 cup water slowly on the top of the paint to prevent the paint from drying. Replace the hopper lid. Place the entire spraying system out of the sun.

STARTUP

4. Remove the spray gun from the plastic bag. Turn the spray tip back to the spraying position.
5. If water was added during shut down, stir water into material with the stir stick.
6. Follow **Spraying** instructions, page 12.



CLEANING NOTES - READ BEFORE CLEANING

- When using latex material, clean sprayer and components with warm, soapy water. For oil based material use mineral spirits. Never use mineral spirits with latex materials.
- NEVER use gasoline to clean sprayer.
- Dispose of used cleaning solution properly.
- Thorough cleaning and lubrication of sprayer is important to ensure proper operation after storage.
- If you flush your sprayer with mineral spirits, repeat Cleanup instructions using warm, soapy water.
- **DO NOT SPRAY PUMP ASSEMBLY WITH WATER OR CLEANING SOLUTION. Do not get the battery terminals on the bottom of the unit wet.**

FOLLOW THESE STEPS WHENEVER CLEANING WITH MINERAL SPIRITS:

- If spraying or cleaning with oil-based materials, the spray gun must be grounded while preparing the spray hose or cleaning.
- Ground the gun by holding it against the edge of a metal container while purging. Failure to do so may lead to a static electric discharge which may cause a fire.
- Always flush spray gun at least one hose length from spray pump.
- If collecting flushed solvent in one gallon metal container, place it into an empty five gallon container, then flush.
- Area must be free from vapors.
- Follow all cleanup instructions.

YOU WILL NEED

- Warm, soapy water if using latex material
- Mineral spirits if using oil-based material
- Empty waste container
- Soft-bristled brush



It is recommended that the shoulder straps be removed prior to cleaning. This will prevent them from getting wet or stained during cleanup. Wait for unit to completely dry before reinstalling the straps. Do not store the straps inside the tank.

1. Perform **Pressure Relief Procedure** (page 10).
2. Remove the tip guard from the spray gun.
3. Empty the tank of spray material (see **Moving / Emptying the Sprayer**, page 10). Rinse the tank with the appropriate cleaning solution until clean. Dispose of the cleaning solution, and then fill the tank again with NEW cleaning solution. Do not run the sprayer without spray material or water in the tank.
4. Remove the spray tip from the tip guard. Carefully place both into the tank full of cleaning solution.



Allowing the spray tip and tip guard to soak in the tank while flushing will make it easier to clean them afterwards. Take care not to lose the saddle seat located inside the rear of the spray guard.

5. Point the spray gun at the side of a waste container.



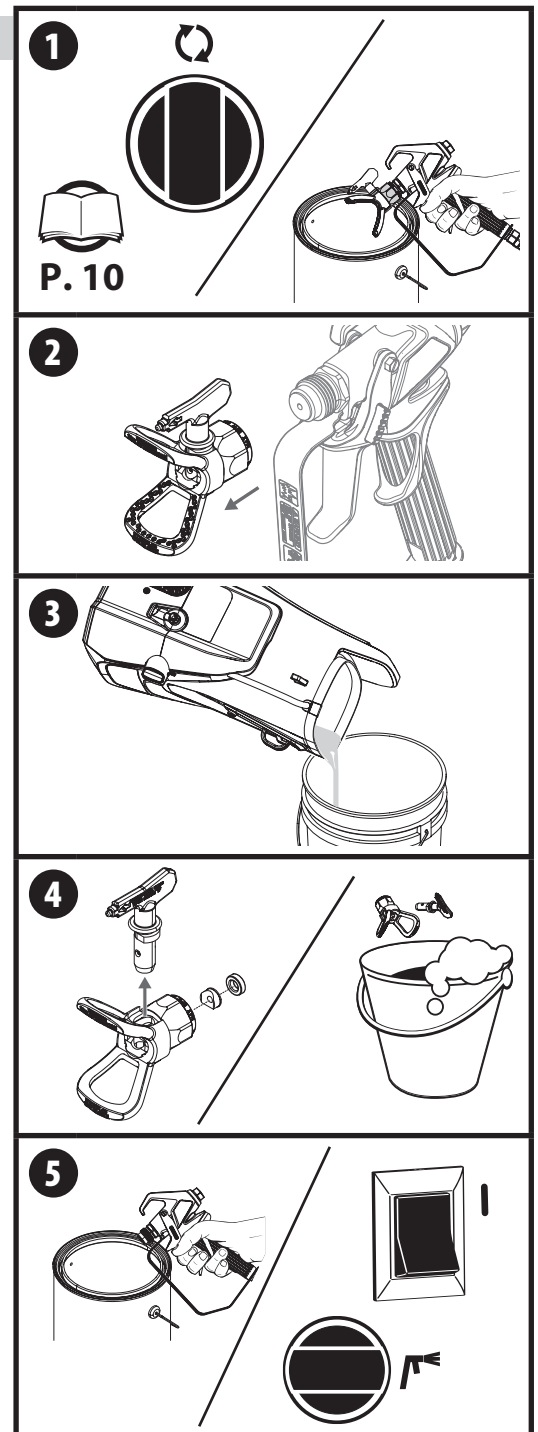
Ground the gun against the side of a metal waste container if flushing with mineral spirits. DO NOT SPRAY THE PUMP ASSEMBLY WITH WATER OR CLEANING SOLUTION.

While squeezing the trigger, turn the sprayer ON (I), and turn the PRIME/SPRAY knob to SPRAY.

Continue squeezing the trigger until fluid is coming out clear. You may need to get new cleaning solution and repeat.

The sprayer will not spray air. It must have spray material or water in the tank.

(Continued on the next page)



- 6. Perform **Pressure Relief Procedure** (page 10).
- 7. Remove the inlet filter. Clean by hand using a soft-bristled brush. Snap back into place when clean.
Remove the tip guard and spray tip from the cleaning solution. Clean by hand using a soft bristled brush. Reinstall onto spray gun when clean.
- 8. **IMPORTANT STEP:** Fill the tank with warm, soapy water. Following steps 5-8 in the "Spraying" section, spray at least one gallon of warm, soapy water. This will ensure that the spray tip will be completely clean for the next use.
- 9. Perform **Pressure Relief Procedure** (page 10).
- 10. Remove the spray tip assembly.
Repeat step 5 from above, continuing to squeeze the trigger until fluid comes out clear.

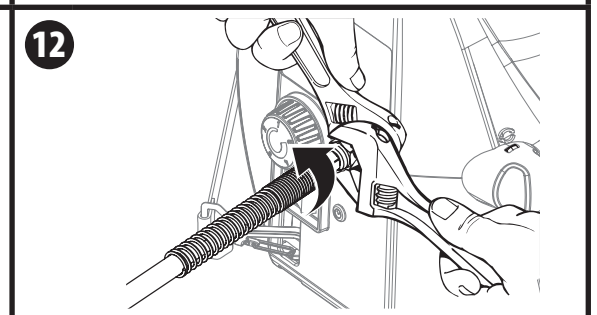
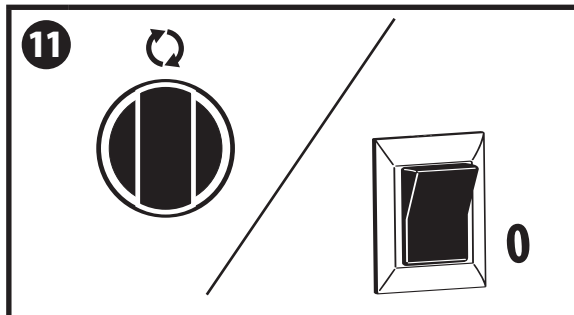
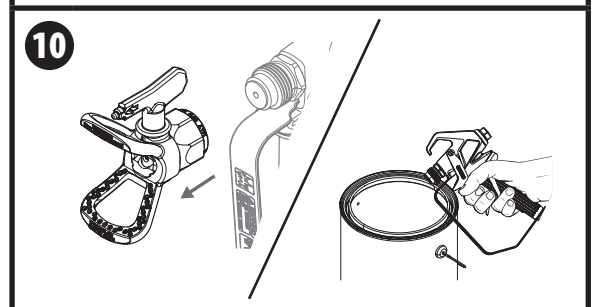
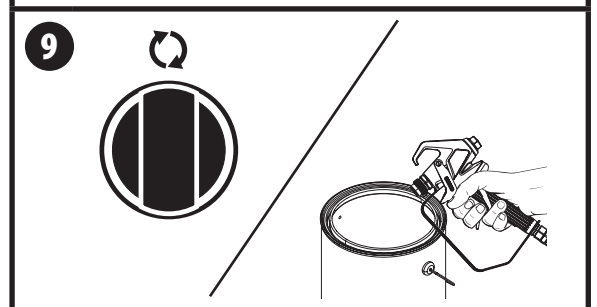
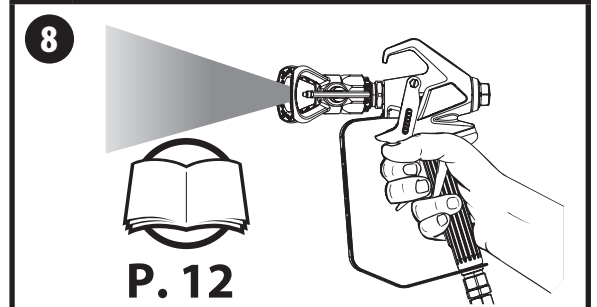
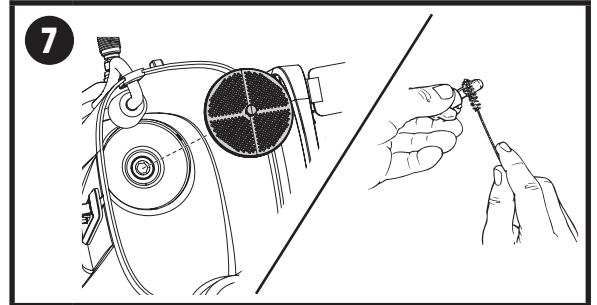
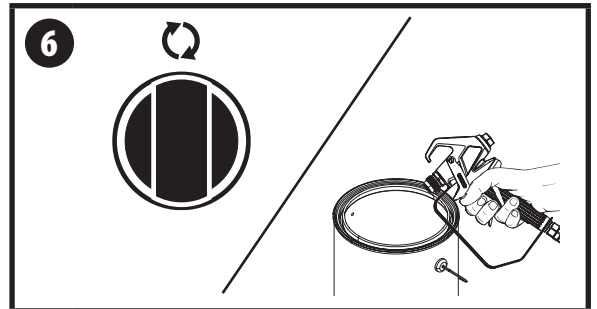


Attention

This pump is liquid-cooled. Do not allow the sprayer to run without paint or water in the tank.

- 11. Turn PRIME/SPRAY knob to PRIME. Turn power OFF.
Replace the spray tip/tip guard assembly.
- 12. Place a wrench on the outlet valve to secure it. Using the second wrench, remove the spray hose.
Hold end of the spray hose and spray gun higher than the other and drain the hose of all cleaning solution into a waste container. Properly dispose of the cleaning solution.

Move on to the Long Term Storage steps, next page.



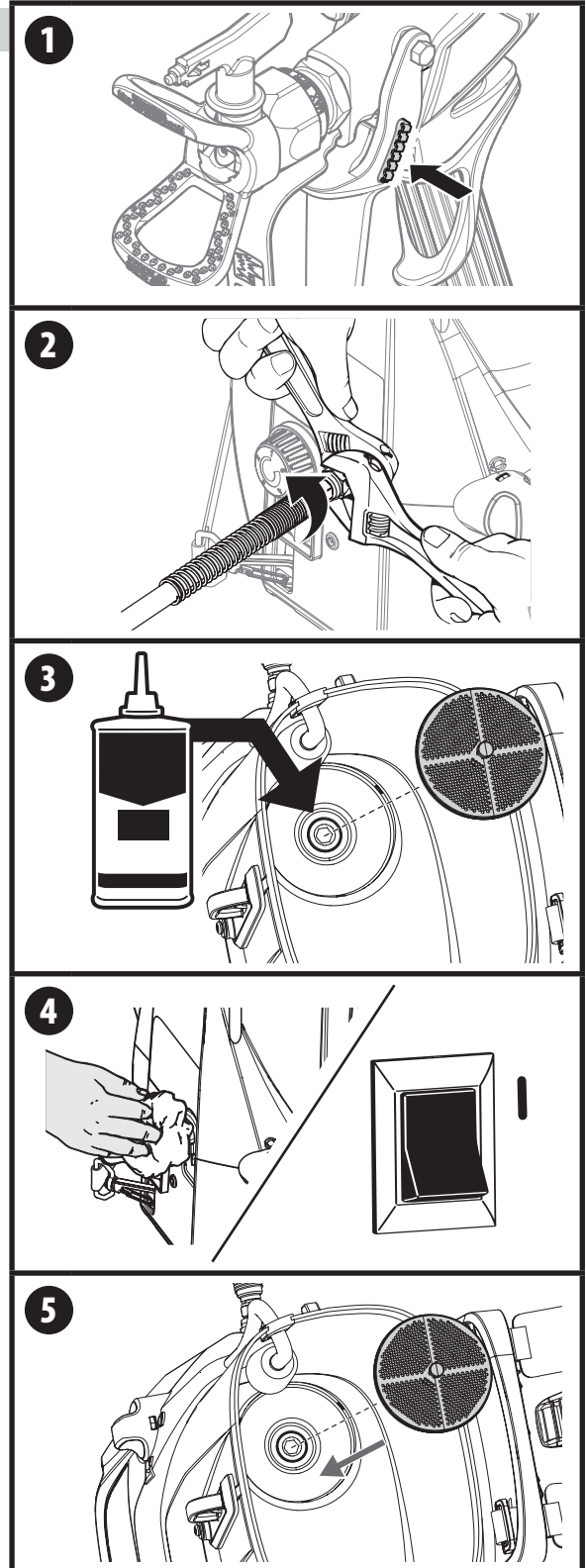


Follow these steps to prepare your sprayer for long-term storage.

YOU WILL NEED

- Light household oil (such as 10W30 motor oil or vegetable oil for example) / Piston Lube
- Rags
- Two adjustable wrenches

1. Lock the spray gun.
2. Place a wrench on the outlet valve to secure it. Using the second wrench, remove the spray hose.
3. Remove the inlet filter. Pour approximately 2 ounces of Piston Lube inside the inlet valve housing at the bottom of the tank. A light oil can be substituted (such as 10W30 motor oil or vegetable oil for example).
4. Cover the outlet valve with a rag. Turn the power ON (I) and let the pump run for 5 seconds.
Turn power OFF.
5. Replace inlet filter. Wipe entire unit, hose, and spray gun to remove accumulated spray material.



Store the unit indoors.

Attention



Cleaning or servicing the inlet valve may be required if the unit has priming problems. Priming problems may be prevented by properly cleaning the sprayer and following the long-term storage steps.

YOU WILL NEED

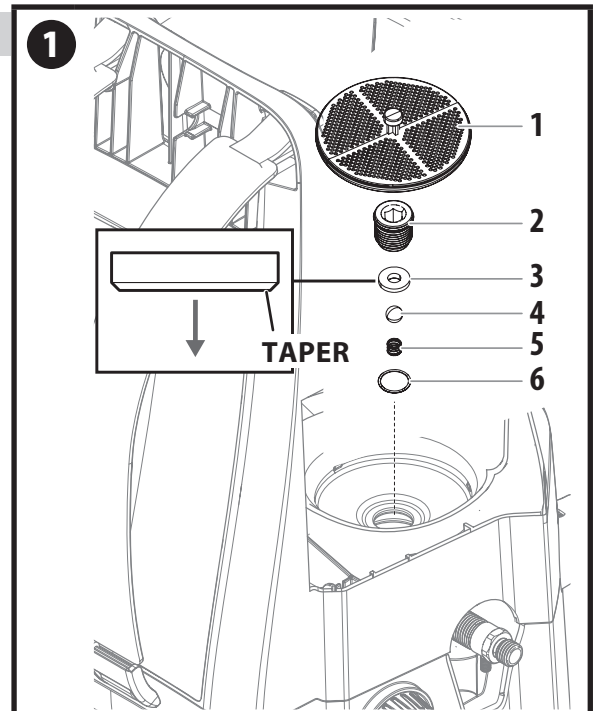
- 8 mm (5/16") hex wrench
- Needle nose pliers
- Warm, soapy water if using latex material
- Mineral spirits for oil based material
- Household oil (such as 10W30 motor oil or vegetable oil for example)

1. Perform the Pressure Relief Procedure, found in the main instruction manual, to ensure the pump is shut off and depressurized. Remove the tank lid.

Remove the inlet filter (1).

Using the lid as a tray for the parts, insert an 8 mm (5/16") hex wrench into the hex opening (2) and unscrew the inlet valve fitting (2) from the sprayer.

You may need to use a ball point pen, tweezers, screwdriver, O-ring pick, and/or needle nose pliers to remove the inlet valve seat (3), inlet valve ball (4), spring (5), and O-ring (6). **A spare spring (5) is included with your sprayer.**



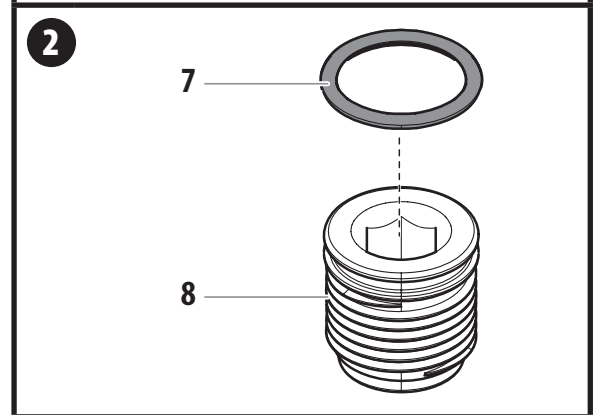
Suggestion for removal of the inlet valve assembly

After removing the inlet filter (1) insert an 8 mm (5/16") hex wrench into the hex opening (2) and unscrew the inlet valve fitting (2) from the sprayer.

Snap the lid back onto the sprayer, turn it upside down, and tap the bottom of the sprayer a few times to loosen the inlet seat (3), ball (4), and spring (5).

With the sprayer still upside down carefully remove the lid. Be careful not to lose any of the removed parts unless you plan to replace them instead of clean them.

Flip the sprayer right-side up again and remove the O-ring (6) with an O-ring pick or tweezers.



Inspect and clean the inlet valve housing area where the inlet valve assembly was removed with the appropriate cleaning solution.

2. Lubricate the O-ring (7) with penetrating oil (WD40) and install onto the inlet fitting (8). Lubricate the O-ring (7) once more after it is installed on the inlet fitting.

3. Replace all parts back into the inlet valve housing in the reverse order of how they were removed.

Note the correct orientation of the inlet valve seat (3). The taper should be facing downward upon reinstallation.

Replace inlet valve fitting (2) by screwing it into the sprayer. Tighten securely with a 8mm (5/16") hex wrench. Torque to 50-57 in. lbs (5.5 - 6.5 N.m). **Do not overtighten the inlet valve fitting.**

Replace inlet filter (1).



If priming problems persist, you may need to replace the inlet valve assembly. Call Technical Service (1-800-526-5362) to order a new inlet valve assembly.



Cleaning or servicing the outlet valve may be necessary if spray performance remains poor after following the steps in the Troubleshooting section. Call Technical Service (1-800-526-5362) to order a new outlet valve assembly.

YOU WILL NEED

- Two 6" adjustable wrenches
- 2.5 mm hex wrench
- Warm, soapy water if using latex material
- Mineral spirits for oil based material

1. Place a wrench on the outlet valve to secure it. Using the second wrench, remove the spray hose.
2. Loosen (**but do not remove**) the set screw just underneath the outlet valve with a 2.5 mm allen wrench.
3. Unscrew outlet valve from outlet valve housing using wrench. Remove any accumulated material inside outlet valve housing using appropriate solution for material being used. Pay particular attention to the ball and seat area at the end of the outlet valve (opposite the hose end). Remove any accumulated material.

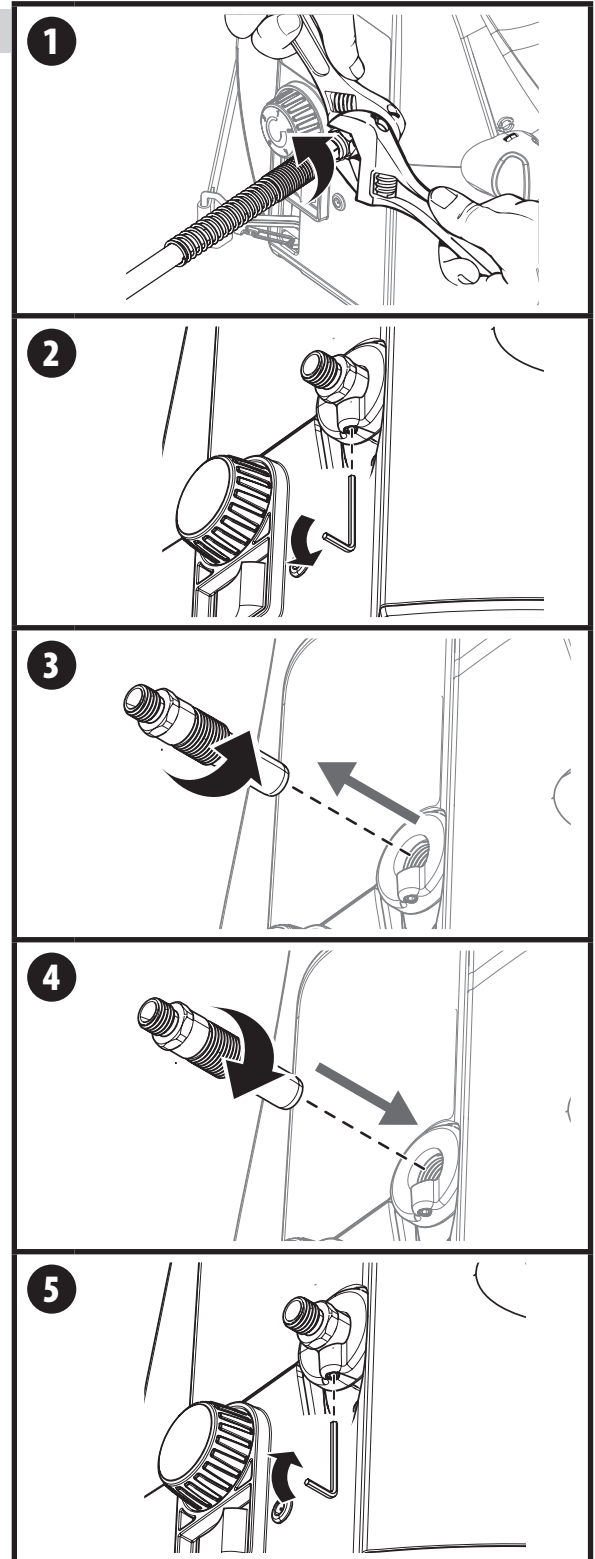


Recommendation: If used with latex-based paints, flush out the outlet valve with water from a faucet.

4. Replace with new or cleaned outlet valve and tighten with wrench. Do not over tighten. Torque to 90-110 in-lbs.
5. Tighten the set screw to secure the outlet valve. Do not over tighten. Torque to 20-25 in-lbs.



It is very important to tighten the set screw to ensure proper grounding of the hose and gun



PROBLEM	CAUSE	SOLUTION
A. The sprayer does not turn on.	<ol style="list-style-type: none"> 1. The battery is not properly installed / charged. 2. The sprayer is turned OFF (0). 3. The sprayer shuts off while under pressure. 4. There is a problem with sprayer motor. 5. Battery terminals are wet. 6. The battery pack has gotten wet. 7. Spray tip clogged. 	<ol style="list-style-type: none"> 1. Reinstall the battery or charge to full. 2. Switch the sprayer ON (I). 3. Motor will cycle ON and OFF while spraying to regulate pressure. This is normal. 4. Call Technical Service (1-800-526-5362). 5. Wait for terminals to dry or use an air compressor to dry the terminals. 6. Allow the battery pack to dry or use a hair dryer to dry the battery pack. 7. Refer to Unclogging the Spray Tip (p. 14)
B. The sprayer starts but does not draw material when the PRIME/SPRAY knob is set to PRIME	<ol style="list-style-type: none"> 1. The inlet valve is stuck from old material. 2. There is no suction at the inlet valve. 3. The inlet filter is clogged. 4. The outlet valve is stuck or contains debris. 5. The inlet valve or outlet valve is worn or damaged. 6. The PRIME/SPRAY valve is plugged. 	<ol style="list-style-type: none"> 1. Push inlet filter tab to release. If still stuck refer to Cleaning the Inlet Valve (p. 20). 2. Remove inlet filter and check suction by placing finger on inlet valve. If no suction, refer to Cleaning the Inlet Valve (p. 20). 3. Refer to Clean the Inlet filter (p. 15) or replace the inlet filter. 4. Refer to Cleaning the Outlet Valve (p. 21) 5. Replace the inlet valve or outlet valve. 6. Call Technical Service (1-800-526-5362).
C. The sprayer draws material but the pressure drops when the gun is triggered (bad spray pattern or no spray pattern)	<ol style="list-style-type: none"> 1. The spray tip is worn. 2. The inlet filter is clogged. 3. The spray tip is plugged. 4. The spray gun filter is clogged. 5. The material is too heavy or thick. 6. The material is too coarse. 7. The outlet valve assembly is damaged or worn. 	<ol style="list-style-type: none"> 1. Replace spray tip with a new one. 2. Refer to Clean the Inlet filter (p. 15), or replace with a new inlet filter. 3. Refer to Unclogging the Spray Tip (p. 14) or replace with a new spray tip. 4. Refer to Unclogging the Spray Gun Filter (p.14) or replace with a new filter. 5. Thin the material. 6. Strain the material. 7. Replace the outlet valve.
D. The PRIME/SPRAY knob is set to SPRAY and there is flow through the material return tube	<ol style="list-style-type: none"> 1. The PRIME/SPRAY valve is dirty or worn. 	<ol style="list-style-type: none"> 1. Call Technical Service (1-800-526-5362).
E. The spray gun leaks	<ol style="list-style-type: none"> 1. Internal parts of spray gun are worn or dirty. 	<ol style="list-style-type: none"> 1. Call Technical Service (1-800-526-5362).
F. The spray tip assembly leaks	<ol style="list-style-type: none"> 1. The tip guard nut is loose. 2. Tip guard was assembled incorrectly. 3. Tip seal is worn 	<ol style="list-style-type: none"> 1. Tighten tip guard nut. 2. Remove and assemble correctly. 3. Replace tip seal
G. The spray gun will not spray	<ol style="list-style-type: none"> 1. The spray tip is plugged. 2. The spray tip is in wrong position. 3. PRIME/SPRAY knob not set on SPRAY. 	<ol style="list-style-type: none"> 1. Refer to Unclogging the Spray Tip (p. 14). 2. Rotate spray tip to SPRAY position. 3. Turn PRIME/SPRAY knob to SPRAY.
H. The spray pattern is poor (tailing)	<ol style="list-style-type: none"> 1. The spray tip is plugged. 2. The inlet filter is clogged. 3. The spray tip is worn. 4. The material is too heavy or thick. 5. Spray hose is too long. 	<ol style="list-style-type: none"> 1. Refer to Unclogging the Spray Tip (p. 14). 2. Refer to Clean the Inlet filter (p. 15) 3. Replace the spray tip. 4. Thin material per manufacturer's recommendations. 5. Remove any extra hose length that has been added.
I. The spray tip will not turn	<ol style="list-style-type: none"> 1. High pressure has locked the spray tip in place. 	<ol style="list-style-type: none"> 1. Refer to Unclogging the Spray Tip (p. 14).

WARRANTY

Titan Tool, Inc., ("Titan") warrants that at the time of delivery to the original purchaser for use ("End User"), the equipment covered by this warranty is free from defects in material and workmanship. With the exception of any special, limited, or extended warranty published by Titan, Titan's obligation under this warranty is limited to replacing or repairing without charge those parts which, to Titan's reasonable satisfaction, are shown to be defective within twelve (12) months after sale to the End User. This warranty applies only when the unit is installed and operated in accordance with the recommendations and instructions of Titan.

This warranty does not apply in the case of damage or wear caused by abrasion, corrosion or misuse, negligence, accident, faulty installation, substitution of non-Titan component parts, or tampering with the unit in a manner to impair normal operation.

Defective parts are to be returned to an authorized Titan sales/service outlet. All transportation charges, including return to the factory, if necessary, are to be borne and prepaid by the End User. Repaired or replaced equipment will be returned to the End User transportation prepaid.

THERE IS NO OTHER EXPRESS WARRANTY. TITAN HEREBY DISCLAIMS ANY AND ALL IMPLIED WARRANTIES INCLUDING, BUT NOT LIMITED TO, THOSE OF MERCHANTABILITY AND FITNESS FOR A PARTICULAR PURPOSE, TO THE EXTENT PERMITTED BY LAW. THE DURATION OF ANY IMPLIED WARRANTIES WHICH CANNOT BE DISCLAIMED IS LIMITED TO THE TIME PERIOD SPECIFIED IN THE EXPRESS WARRANTY. IN NO CASE SHALL TITAN LIABILITY EXCEED THE AMOUNT OF THE PURCHASE PRICE. LIABILITY FOR CONSEQUENTIAL, INCIDENTAL OR SPECIAL DAMAGES UNDER ANY AND ALL WARRANTIES IS EXCLUDED TO THE EXTENT PERMITTED BY LAW.

TITAN MAKES NO WARRANTY AND DISCLAIMS ALL IMPLIED WARRANTIES OF MERCHANTABILITY AND FITNESS FOR A PARTICULAR PURPOSE WITH RESPECT TO ACCESSORIES, EQUIPMENT, MATERIALS OR COMPONENTS SOLD BUT NOT MANUFACTURED BY TITAN. THOSE ITEMS SOLD, BUT NOT MANUFACTURED BY TITAN (SUCH AS GAS ENGINES, SWITCHES, HOSES, ETC.) ARE SUBJECT TO THE WARRANTY, IF ANY, OF THEIR MANUFACTURER. TITAN WILL PROVIDE THE PURCHASER WITH REASONABLE ASSISTANCE IN MAKING ANY CLAIM FOR BREACH OF THESE WARRANTIES.

QUESTIONS?

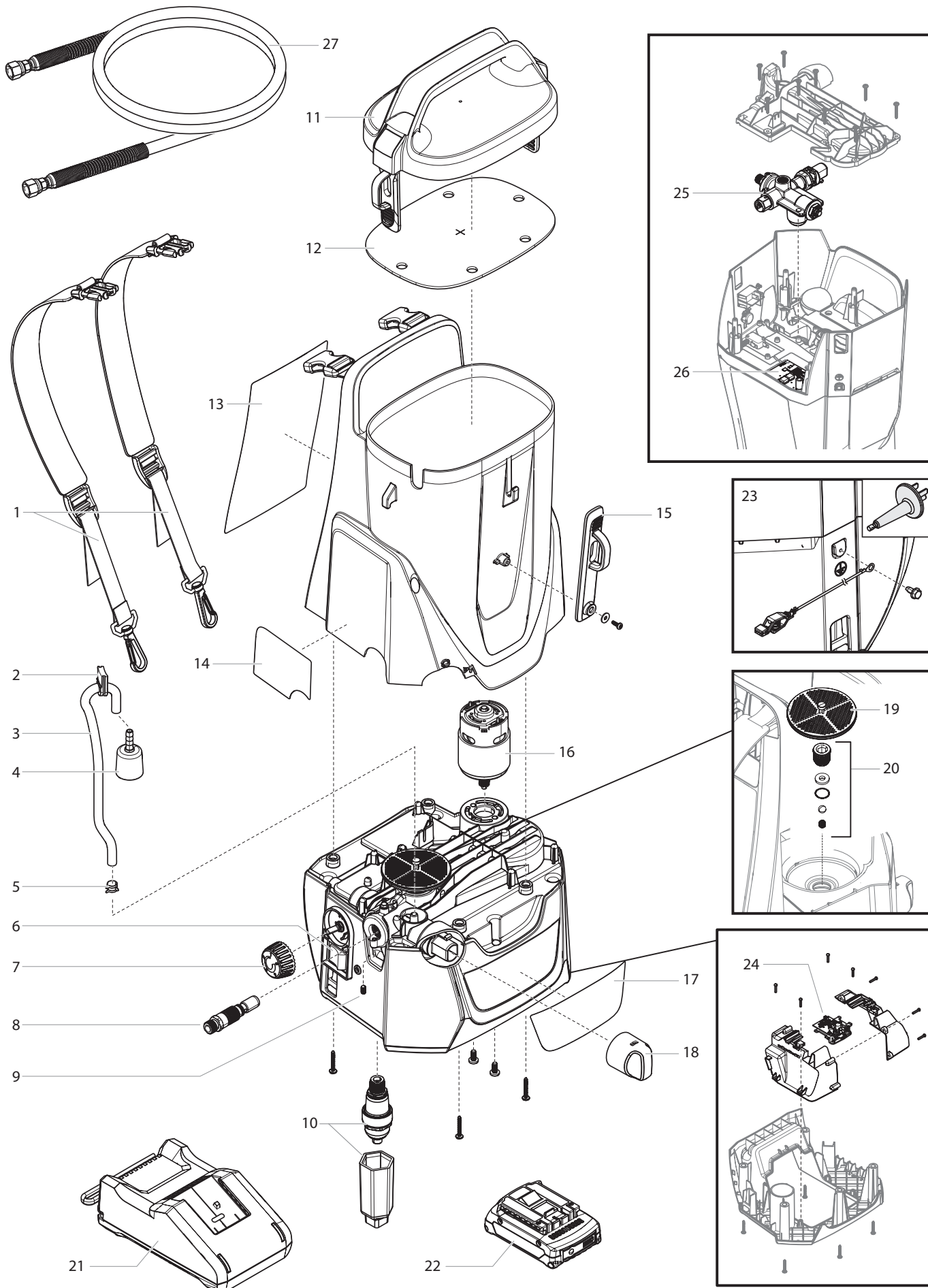
Call Titan Technical Service at:

1-800-526-5362

Register your product online at:

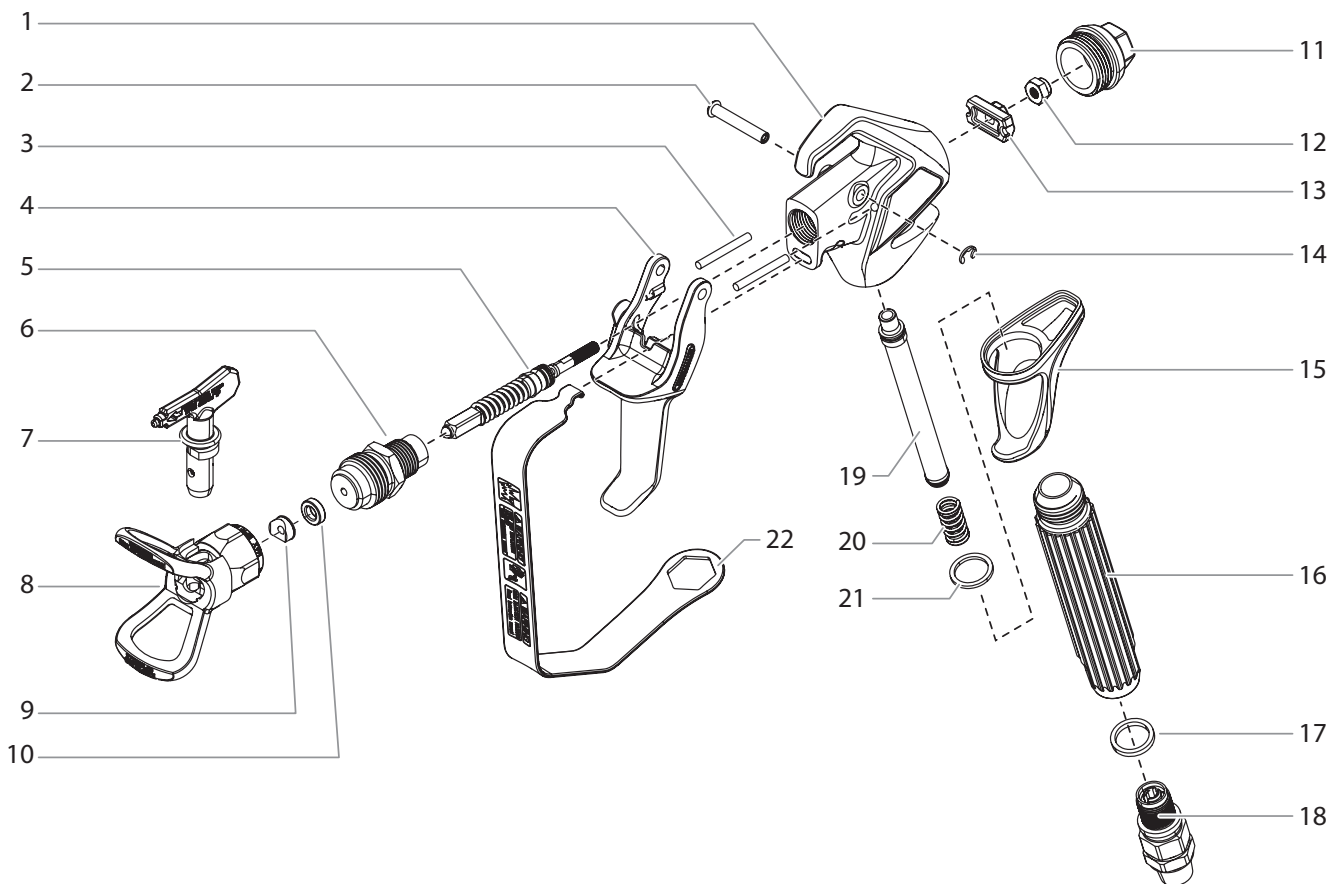
www.titantool.com

MAIN ASSEMBLY • ENSEMBLE PRINCIPAL • MONTAJE PRINCIPAL



#	Impact X 120 18V	Description	Description	Descripción
1	2463167	Strap kit	Trousse de sangle	Juego de correa
2	2439914	Return tube grommet	Passe-fil, tube de retour	Ojal, tubo de retorno
3	2463213	Return tube assembly (includes items 2-4)	Ensemble de tube de retour (inclus les articles 2 à 4)	Ensamblaje del tubo de retorno (incluye los elementos 2-4)
4	2437053	Return tube diffuser	Diffuseur de tube de retour	Difusor de tubo de retorno
5	515376	Return tube clamp	Agrafe de tube de retour	Abrazadera de tubo de retorno
6	2461655	Power switch	Interrupteur	Interruptor
7	2439391	Speed control knob	Bouton de contrôle de vitesse	Perilla de control de velocidad
8	2463171	Outlet valve assembly	Ensemble de la soupape de sortie	Conjunto de la válvula de salida
9	580070	Set screw	Vis de pression	Tornillo de ajuste
10	2463222	Accumulator and removal tool	Accumulateur et d'outil de retrait	Accumulador y herramienta de extracción
11	2463216	Tank lid	Couvercle de la réservoir	Tapa de la tanque
12	2439917	Tank lid gasket (2)	Joint, couvercle de la réservoir (2)	Empaquetadura, tapa de la tanque (2)
13	2445769	Quick start label	Étiquette, démarrage rapide	Etiqueta, inicio rápido
14	2449866	Side label	Étiquette, côté	Etiqueta, lateral
15	2463215	Front strap	Sangle avant	Correa delantera
16	2463224	Motor	Moteur	Motor
17	2445754	Front label	Étiquette avant	Etiqueta delantra
18	2439180	PRIME/SPRAY knob	Bouton de PRIME/SPRAY	Perilla de PRIME/SPRAY
19	0580662A	Inlet filter	Filtre d'entrée	Filtro de entrada
20	580732	Inlet valve kit	Trousse de la soupape d'entrée	Kit de válvula de entrada
21	2463866	Battery charger (Bosch/AMPSHare)	Chargeur de batterie (Bosch/AMPSHare)	Cargador de baterías (Bosch/AMPSHare)
22	2463219	Battery (Bosch/AMPSHare) (2)	Batterie (Bosch/AMPSHare) (2)	Batería (Bosch/AMPSHare) (2)
23	2464791	Grounding wire and plug	Fil et fiche de mise à la terre	Cable de conexión a tierra y enchufe
24	2464793	Battery management board	Carte de gestion de batterie	Tablero de administración de batería
25	2464065	Fluid section assembly	Assemblage de la section fluide	Conjunto de sección de fluido
26	2464794	Control board assembly	Assemblage du tableau de commande	Conjunto de tablero de control
27	2441268	Spray hose, 9'	Tuyau de pulvérisation (3 m)	Manguera de rociadora (3 m)

SPRAY GUN ASSEMBLY • PISTOLET DE PULVÉRISATION • PISTOLA DE ROCIADORA

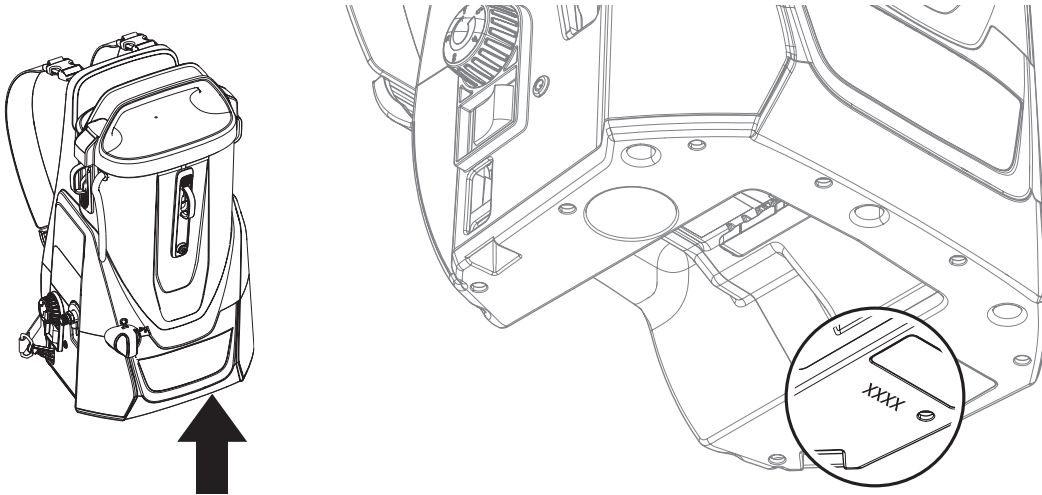


#	RX-80	Description	Description	Descripción
1	-----	Gun head	Tête du pistolet	Cabezal de la pistola
2	538425	Pin	Goupille	Pasador
3	538305	Retractor pin (2)	Goupille de rétraction (2)	Pasador retráctil (2)
4	538224	Trigger and lock assembly, 2-finger gun (includes item 2 and 14)	Détente et ensemble de verrou, pistolet à deux doigts (inclut les articles 2 et 14)	Conjunto de gatillo y seguro, para pistola de dos dedos (incluye artículos 2 y 14)
5	538210	Seal assembly (includes item 12)	Joint (inclus élément 12)	Conjunto de estanqueidad (incluye artículo 12)
6	538200	Diffuser, 7/8"	Diffuseur, 7/8"	Difusor, 7/8"
7	330-517	Tip assembly* (includes items 9-10)	Buse (comprend les pièces 9 et 10)	Conjunto de la boquilla (incluye artículos 9 y 10)
	671-312	Tip assembly* (includes items 9-10)	Buse (comprend les pièces 9 et 10)	Conjunto de la boquilla (incluye artículos 9 y 10)
8	289122	Tip guard, 7/8"	Protection de buse, 7/8"	Protector de la boquilla, 7/8"
9	297007	Tip seal	Joint de buse	Junta de la boquilla
10	651-020	Seal	Joint	Junta de estanqueidad
11	538308	Rear housing	Carter arrière	Alojamiento trasero
12	226-001	Lock nut	Écrou de blocage	Contratuercas
13	538312	Retractor plate	Plaque de rétraction	Placa de retracción
14	580120	Ring clip	Agrafe	Sujetador
15	538303	Collar assembly	Col	Cuello
16	538302	Handle	Poignée	Empuñadura
17	9970123	Seal	Joint	Junta
18	538205	Swivel	Émerillon	Pieza giratoria
19	0089958B	Filter, medium (2 pack)	Filtre moyen	Filtro, medio (juego de 2)
20	296343	Spring	Ressort	Muelle
21	560-038	Handle seal	Joint de poignée	Junta de empuñadura
22	538307	Trigger guard	Protection de la détente	Protección del gatillo
538215		Gun repair kit, 7/8" diffuser (includes items 5, 6, and 12)	Kit de réparation du pistolet, 7/8" diffuseur (inclus éléments 5, 6, et 12)	Kit de reparación de la pistola, 7/8" difusor (incluye artículos 5, 6 y 12)

ACCESSORIES • ACCESSOIRES • ACCESORIOS

#	English • Description	Français • Description	Español • Descripción
Spray Guns • Pistolets de pulvérisation • Pistolas de rociadora			
538005	4 Finger RX-80™ with Tip	4-doigts RX-80™ avec l'embout	4-dedos RX-80™ con la punta
538006	2 Finger RX-80™ with Tip	2-doigts RX-80™ avec l'embout	2-dedos RX-80™ con la punta
538010	RX-80™ with Tip and hose	RX-80™ avec l'embout à et flexible	RX-80™ con la punta y manguera
538020	2 Finger RX-Pro® with Tip	2-doigts RX-Pro® avec l'embout	2-dedos RX-Pro® con la punta
538022	2 Finger RX-Pro® with Tip / hose	2-doigts RX-Pro® avec l'embout et flexible	2-dedos RX-Pro® con la punta y manguera
Spray tips and accessories • Embouts de pulvérisation et accessoires • Puntas de rociadora y accesorios			
330-XXX	HEA Tip*	Embout à HEA*	Punta de HEA*
671-XXX	Fine Finish Tip*	Embout à Fine Finish*	Punta de Fine Finish*
0289228A	No Build Tip Guard	Dispositif de protection de embout sans assemblage	Protección de la boquilla contra la acumulación de residuos
538029	Tip Swivel	Pivot de buse	Dispositivo giratorio de la boquilla
661-020	Tip seat and seal kit (5 pack)	Trousse de siège / rondelle (5 pièces)	Juego de asiento de montura / arandela (5 piezas)
Filters • Filtres • Filtros			
89957	Coarse Mesh Filter (Green)	Filtre à grosses mailles (vert)	Filtro de malla gruesa (verde)
0089958B	Medium Mesh Filter (White)	Filtre à mailles moyennes (blanc)	Filtro de malla media (blanco)
0089959A	Fine Mesh Filter (Yellow)	Filtre à mailles fines (jaune)	Filtro de malla fina (amarillo)
89960	Extra Fine Mesh Filter (Red)	Filtre à mailles très fines (rouge)	Filtro de malla extra fina (rojo)
Extensions • Rallonges • Extensións			
651-070	6" Tip Extension	Rallonge de embout, 15 cm	Extensión de punta, 15 cm
651-071	12" Tip Extension	Rallonge de embout, 30 cm	Extensión de punta, 30 cm
651-072	18" Tip Extension	Rallonge de embout, 45 cm	Extensión de punta, 45 cm
651-073	24" Tip Extension	Rallonge de embout, 60 cm	Extensión de punta, 60 cm
310-390	3' Extension Pole	Tige rallonge de 3 po	Barra de extensión de 90 cm
0279976L	6' Extension Pole	Tige rallonge de 6 po	Barra de extensión de 180 cm
Airless hose and accessories • Flexible sans air et accessoires • Manguera sin aire y accesorios			
2441268	1/4" x 9' Airless Hose	Flexible sans air, 3 m x 0,6 cm	Manguera, 3 m x 0,6 cm
316-505	1/4" x 50' Airless Hose	Flexible sans air, 7,6 m x 0,6 cm	Manguera, 7,6 m x 0,6 cm
316-506	3/16" x 5' Whip Hose	Flexible sans air, 1,5 m x 0,5 cm	Manguera, 1,5 m x 0,5 cm
05045	1/4" x 1/4" hose connector	Raccord de flexible (0,6 cm ² [1/4 po ²])	Acoplamiento de manguera, 1/4 x 1/4 de pulgada
2404445	9" Pressure Roller Kit	Trousse de galet presseur de 9 po	Juego de rodillo de presión de 229 mm
2403959	Spray roller combo kit	Trousse de de rouleaux de pulvérisation	Juego de rodillo de pulverización
538900	Spray Guide Kit	Trousse de Spray Guide	Juego de Spray Guide
580495	HEA Pressure gauge	Manomètre de HEA	Manometro de HEA
Lubricants and cleaners • Lubrifiants et nettoyeurs • Lubricantes y limpiadores			
314-482	Liquid Shield™ 1 Quart	Liquid Shield™ 0,95 l	Liquid Shield™ 0,95 l
314-480	Piston Lube™, 8 oz	Piston Lube™, 8 oz.	Piston Lube™ 8 onzas
700-926	Piston Lube™, 1 Quart	Piston Lube™, 0,95 l	Piston Lube™ 0,95 l

* Go to www.titantool.com for tip sizes / voir www.titantool.com pour les dimensions / visite www.titantool.com para conocer los tamaños



Register your product online at:

Enregistrement du produit en ligne sur le site :

Regístrelo del producto en línea en:

www.titantool.com

QUESTIONS?

Call Titan Technical Service at:

1-800-526-5362

Register your product online at:

www.titantool.com

BESOIN D'AIDE?

Appelez le Support de Produit Titan

1-800-526-5362

Enregistrement du produit en ligne sur le site :

www.titantool.com

¿NECESITA AYUDA?

Llame Titan Soporte de Producto al:

1-800-526-5362

Regístrelo del producto en línea en:

www.titantool.com