



TITAN®

OPERATION MANUAL

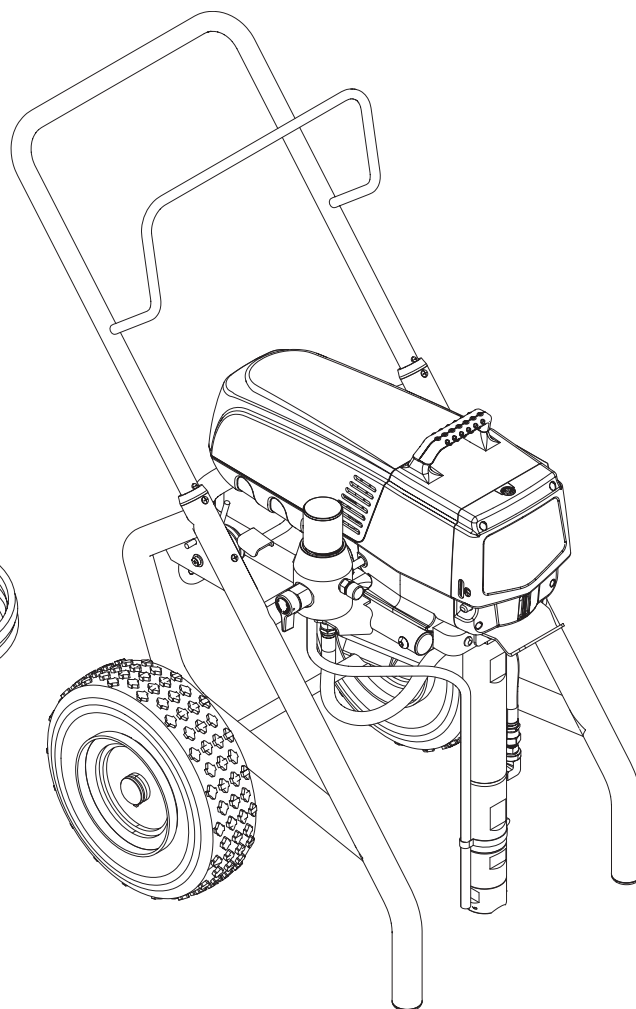
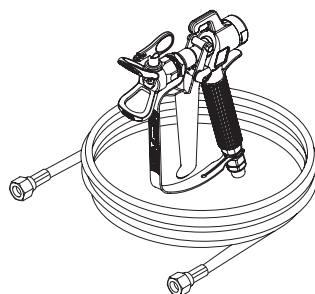
IMPACT® 1040T

- EN -	OPERATION MANUAL	2
- F -	MODE D'EMPLOI	28
- ES -	INSTRUCCIONES DE USO	54

AIRLESS, HIGH-PRESSURE
SPRAYING UNIT

GROUPE DE PROJECTION À
HAUTE PRESSION

AIRLESS EQUIPO DE ALTA
PRESIÓN PARA PULVERIZAR



Warning!

Attention: Danger of injury by injection!
Airless units develop extremely high spraying pressures.

**1**

Never put your fingers, hands or any other parts of the body into the spray jet!

**Never point the spray gun at yourself, other persons or animals.
Never use the spray gun without safety guard.**

Do not treat a spraying injury as a harmless cut. In case of injury to the skin through coating materials or solvents, consult a doctor immediately for quick and expert treatment. Inform the doctor about the coating material or solvent used.

2

The operating instructions state that the following points must always be observed before starting up:

1. Faulty units must not be used.
2. Secure Titan spray gun using the trigger lock on the trigger.
3. Ensure that the unit is properly earthed.
4. Check allowable operating pressure of high-pressure hose and spray gun.
5. Check all connections for leaks.

3

The instructions regarding regular cleaning and maintenance of the unit must be strictly observed.

Before any work is done on the unit or for every break in work the following rules must be observed:

1. Release the pressure from spray gun and hose.
2. Secure the Titan spray gun using the trigger lock on the trigger.
3. Switch off unit.

Be safety conscious!

1	SAFETY REGULATIONS FOR AIRLESS SPRAYING	4	7	TROUBLESHOOTING	19
1.1	Explanation of symbols used	4	8	SERVICING	20
1.2	Grounding instructions	4	8.1	General servicing	20
1.3	Safety hazards	5	8.2	High-pressure hose	20
2	MAIN AREA OF APPLICATION	8	9	MAINTENANCE	20
2.1	Technical data	8	9.1	PRIME/SPRAY valve	20
3	DESCRIPTION OF UNIT	8	9.2	Inlet and outlet valve	21
3.1	Airless process	8	9.3	Repacking the fluid section	22
3.2	Functioning of the unit	8	9.4	Replacing the motor	24
3.3	System diagram	9	9.5	Replacing the gears	24
4	OPERATION	10	9.6	Replacing the transducer	25
4.1	Using the gun trigger lock	10	9.7	Impact 1040T connection diagram	26
4.2	Setup	10			
4.3	Preparing a new sprayer	11	WARRANTY		27
4.4	Preparing to spray	12	SPARE PARTS LISTS		80
4.5	Spraying	13	Spare parts list for main assembly		80/81
4.6	Pressure relief procedure	13	Spare parts list for the fluid section		82/83
4.7	Control panel indicators	14	Spare parts list for drive assembly		84/85
5	SPRAYING TECHNIQUE	15	Spare parts list of filter plug assembly		86/87
5.1	Cleaning a clogged tip	15	Spare parts list for upright cart		88/89
6	CLEANUP	16	ACCESSORIES		90/91
6.1	Special cleanup instructions for use with flammable solvents	16			
6.2	Cleaning the sprayer	16			
6.3	Cleaning the outside of the unit	16			
6.4	Cleaning the filter screen	17			
6.5	Cleaning the spray gun	17			
6.6	Cleaning the high pressure filter	18			

1 SAFETY REGULATIONS FOR AIRLESS SPRAYING

1.1 EXPLANATION OF SYMBOLS USED

This manual contains information that must be read and understood before using the equipment. When you come to an area that has one of the following symbols, pay particular attention and make certain to heed the safeguard.



→ This symbol indicates a potential hazard that may cause serious injury or loss of life. Important safety information will follow.



Attention

→ This symbol indicates a potential hazard to you or to the equipment. Important information that tells how to prevent damage to the equipment or how to avoid causes of minor injuries will follow.



→ Danger of skin injection



→ Danger of fire from solvent and paint fumes



→ Danger of explosion from solvent, paint fumes and incompatible materials



→ Danger of injury from inhalation of harmful vapors



→ Danger of electric shock



→ Notes give important information which should be given special attention.

1.2 GROUNDING INSTRUCTIONS

This product must be grounded. In the event of an electrical short circuit, grounding reduces the risk of electric shock by providing an escape wire for the electric current. This product is equipped with a cord having a grounding wire with an appropriate grounding plug. The plug must be plugged into an outlet that is properly installed and grounded in accordance with all local codes and ordinances.

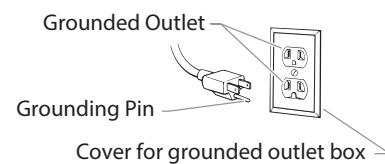


WARNING - Improper installation of the grounding plug can result in a risk of electric shock.

If repair or replacement of the cord or plug is necessary, do not connect the green grounding wire to either flat blade terminal. The wire with insulation having a green outer surface with or without yellow stripes is the grounding wire and must be connected to the grounding pin.

Check with a qualified electrician or serviceman if the grounding instructions are not completely understood, or if you are in doubt as to whether the product is properly grounded. Do not modify the plug provided. If the plug will not fit the outlet, have the proper outlet installed by a qualified electrician.

This product is for use on a nominal 120 volt circuit and has a grounding plug that looks like the plug illustrated below. Make sure that the product is connected to an outlet having the same configuration as the plug. No adapter should be used with this product.



Attention

When the sprayer is used with a generator or uncontrolled line voltage, the use of Titan's "Line Surge Protector" (P/N 800-935) is recommended.

1.3 SAFETY HAZARDS



WARNING: INJECTION INJURY

A high pressure stream produced by this equipment can pierce the skin and underlying tissues, leading to serious injury and possible amputation.

Do not treat a spraying injury as a harmless cut. In case of injury to the skin through coating materials or solvents, consult a doctor immediately for quick and expert treatment. Inform the doctor about the coating material or solvent used.

PREVENTION:

- Do not aim the gun at, or spray any person or animal.
- Keep hands and other body parts away from the discharge. For example, do not try to stop leaks with any part of the body.
- NEVER put your hand in front of the gun. Gloves will not provide protection against an injection injury.
- ALWAYS keep the tip guard in place while spraying. The tip guard provides some protection but is mainly a warning device.
- Only use a nozzle tip specified by the manufacturer.
- Use caution when cleaning and changing nozzle tips. In the case where the nozzle tip clogs while spraying, ALWAYS lock gun trigger, shut pump off, and release all pressure before servicing, cleaning tip or guard, or changing tip. Pressure will not be released by turning off the motor. The PRIME/SPRAY valve or pressure bleed valve must be turned to their appropriate positions to relieve system pressure. Refer to PRESSURE RELIEF PROCEDURE described in the pump manual.
- Do not leave the unit energized or under pressure while unattended. When the unit is not in use, turn off the unit and relieve the pressure in accordance with the manufacturer’s instructions.
- High-pressure spray is able to inject toxins into the body and cause serious bodily injury. In the event that injection occurs, seek medical attention immediately.
- Check hoses and parts for signs of damage, a leak can inject material into the skin. Inspect hose before each use. Replace any damaged hoses or parts. Only use TITAN original-high-pressure hoses in order to ensure functionality, safety and durability.

- This system is capable of producing 3300 PSI / 228 Bar. Only use replacement parts or accessories that are specified by the manufacturer and that are rated a minimum of 3300 PSI. This includes spray tips, nozzle guards, guns, extensions, fittings, and hoses.
- Always engage the trigger lock when not spraying. Verify the trigger lock is functioning properly.
- Verify that all connections are secure before operating the unit.
- Know how to stop the unit and bleed pressure quickly. Be thoroughly familiar with the controls. Pressure will not be released by turning off the motor. The PRIME/SPRAY valve or pressure bleed valve must be turned to their appropriate positions to relieve system pressure. Refer to PRESSURE RELIEF PROCEDURE described in the pump manual.
- Always remove the spray tip before flushing or cleaning the system.



NOTE TO PHYSICIAN: Injection into the skin is a traumatic injury which can lead to possible amputation. It is important to treat the injury as soon as possible. DO NOT delay treatment to research toxicity. Toxicity is a concern with some coatings injected directly into the blood stream. Consultation with a plastic surgeon or reconstructive hand surgeon may be advisable.

**WARNING: HIGH PRESSURE HOSE**

The paint hose can develop leaks from wear, kinking and abuse. A leak can inject material into the skin. Inspect the hose before each use.

PREVENTION:

- Avoid sharp bending or kinking of the high-pressure hose. The smallest bending radius amounts to about 8" (20 cm).
- Do not drive over the high-pressure hose. Protect against sharp objects and edges.
- Replace any damaged high-pressure hose immediately.
- Never repair damaged high-pressure hoses yourself!
- Electrostatic charging of spray guns and the high-pressure hose is discharged through the high-pressure hose. For this reason the electric resistance between the connections of the high-pressure hose must be equal to or lower than 1MΩ.
- For reasons of function, safety and durability use only original Titan high-pressure hoses.
- Before each use, check all hoses for cuts, leaks, abrasion or bulging of cover. Check for damage or movement of couplings. Immediately replace the hose if any of these conditions exist. Never repair a paint hose. Replace it with another earthed high-pressure hose.
- Make sure power cord, air hose and spray hoses are routed in such a manner to minimize slip, trip and fall hazard.

**WARNING: EXPLOSION OR FIRE**

Flammable vapors, such as solvent and paint vapors, in work area can ignite or explode.

**PREVENTION:**

- Do not spray flammable or combustible materials near an open flame, pilot lights or sources of ignition such as hot objects, cigarettes, motors, electrical equipment and electrical appliances. Avoid creating sparks from connecting and disconnecting power cords.
- Use extreme caution when using materials with a flashpoint below 100°F (38°C). Flashpoint is the temperature that a fluid can produce enough vapors to ignite.
- Paint or solvent flowing through the equipment is able to result in static electricity. Static electricity creates a risk of fire or explosion in the presence of paint or solvent fumes. All parts of the spray system, including the pump, hose assembly, spray gun and objects in and around the spray area shall be properly grounded to protect against static discharge and sparks. Use only conductive or grounded high-pressure airless paint sprayer hoses specified by the manufacturer.
- Verify that all containers and collection systems are grounded to prevent static discharge.
- Connect to a grounded outlet and use grounded extension cords (electric models only). Do not use a 3 to 2 adapter.
- Do not use a paint or solvent containing halogenated hydrocarbons. Such as chlorine, bleach, mildewcide, methylene chloride and trichloroethane. They are not compatible with aluminum. Contact the coating supplier about compatibility of material with aluminum.
- Keep spray area well ventilated. Keep a good supply of fresh air moving through the area to keep the air within the spray area free from accumulation of flammable vapors. Keep pump assembly in well ventilated area. Do not spray pump assembly.
- Do not smoke in the spray area.
- Do not operate light switches, engines, or similar spark producing products in the spray area.
- Keep area clean and free of paint or solvent containers, rags, and other flammable materials.
- Know the contents of the paint and solvents being sprayed. Read all material Safety Data Sheets (SDS) and container labels provided with the paints and solvents. Follow the paint and solvent manufacturer's safety instructions.

- Place pump at least 25 feet (7.62 meters) from the spray object in a well ventilated area (add more hose if necessary). Flammable vapors are often heavier than air. Floor area must be extremely well ventilated. The pump contains arcing parts that emit sparks and can ignite vapors.
- Plastic can cause static sparks. Never hang plastic to enclose spray area. Do not use plastic drop cloths when spraying flammable material.
- Fire extinguisher equipment shall be present and working.



WARNING: HAZARDOUS VAPORS

Paints, solvents, and other materials can be harmful if inhaled or come in contact with body. Vapors can cause severe nausea, fainting, or poisoning.

PREVENTION:

- Wear respiratory protection when spraying. Read all instructions supplied with the mask to be sure it will provide the necessary protection.
- All local regulations regarding protection against hazardous vapors must be observed.
- Wear protective eyewear.
- Protective clothing, gloves and possibly skin protection cream are necessary for the protection of the skin. Observe the regulations of the manufacturer concerning coating materials, solvents and cleaning agents in preparation, processing and cleaning units.



WARNING: GENERAL

This product can cause severe injury or property damage.

PREVENTION:

- Always wear appropriate gloves, eye protection, clothing and a respirator or mask when painting.
- Do not operate or spray near children. Keep children away from equipment at all times.
- Do not overreach or stand on an unstable support. Keep effective footing and balance at all times.
- Stay alert and watch what you are doing.
- Do not operate the unit when fatigued or under the influence of drugs or alcohol.
- Do not kink or over-bend the hose. Airless hose can develop leaks from wear, kinking and abuse. A leak can inject material into the skin.
- Do not expose the hose to temperatures or pressures in excess of those specified by manufacturer.
- Do not use the hose as a strength member to pull or lift the equipment.
- Use lowest possible pressure to flush equipment.
- Follow all appropriate local, state and national codes governing ventilation, fire prevention and operation.
- The United States Government Safety Standards have been adopted under the Occupational Safety and Health Act (OSHA). These standards, particularly part 1910 of the General Standards and part 1926 of the Construction Standards should be consulted.
- Before each use, check all hoses for cuts, leaks, abrasion or bulging of cover. Check for damage or movement of couplings. Immediately replace hose if any of those conditions exist. Never repair a paint hose. Replace with a conductive high-pressure hose.
- Do not spray outdoors on windy days.
- Always unplug cord from outlet before working on equipment (electric models only).

2 MAIN AREA OF APPLICATION

i	<p>This airless sprayer is a precision power tool used for spraying many types of materials including textured products from a ready-mixed or powdered formulation.</p> <p>Read and follow this instruction manual carefully for proper operating instructions, maintenance, and safety information.</p>
----------	--

2.1 TECHNICAL DATA

Gallons per minute (GPM)	1.15 (4.35 LPM)
Maximum tip size	1 gun - 0.033" 2 gun - 0.021"
Maximum pressure	3300 PSI (22.8 MPa)
Power	2.5 HP Brushless DC Motor, 100~120V AC, 50/60Hz, 15A
Weight	98 lbs. (44.5 kg)
Maximum hose length	300' (91.4 m)
Generator requirement	5000 Watt, 20A, sine wave generator, idle-down feature disabled

3 DESCRIPTION OF UNIT

3.1 AIRLESS PROCESS

The main areas of application are thick layers of highly viscous coating material for large areas and a high consumption of material.

A piston pump takes in the coating material by suction and conveys it to the tip. Pressed through the tip at a pressure of up to a maximum of 221 bar (22.1 MPa), the coating material is atomised. This high pressure has the effect of micro fine atomisation of the coating material.

As no air is used in this process, it is described as an AIRLESS process.

This method of spraying has the advantages of finest atomisation, cloudless operation and a smooth, bubble-free surface. As well as these, the advantages of the speed of work and convenience must be mentioned.

3.2 FUNCTIONING OF THE UNIT

In the following there is a short description of the technical construction for better understanding of the function.

Titan Impact 1040T units are electrically driven high-pressure spraying units.

A gear unit transfers the driving force to a crankshaft. The crankshaft moves the pistons of the material feed pump up and down.

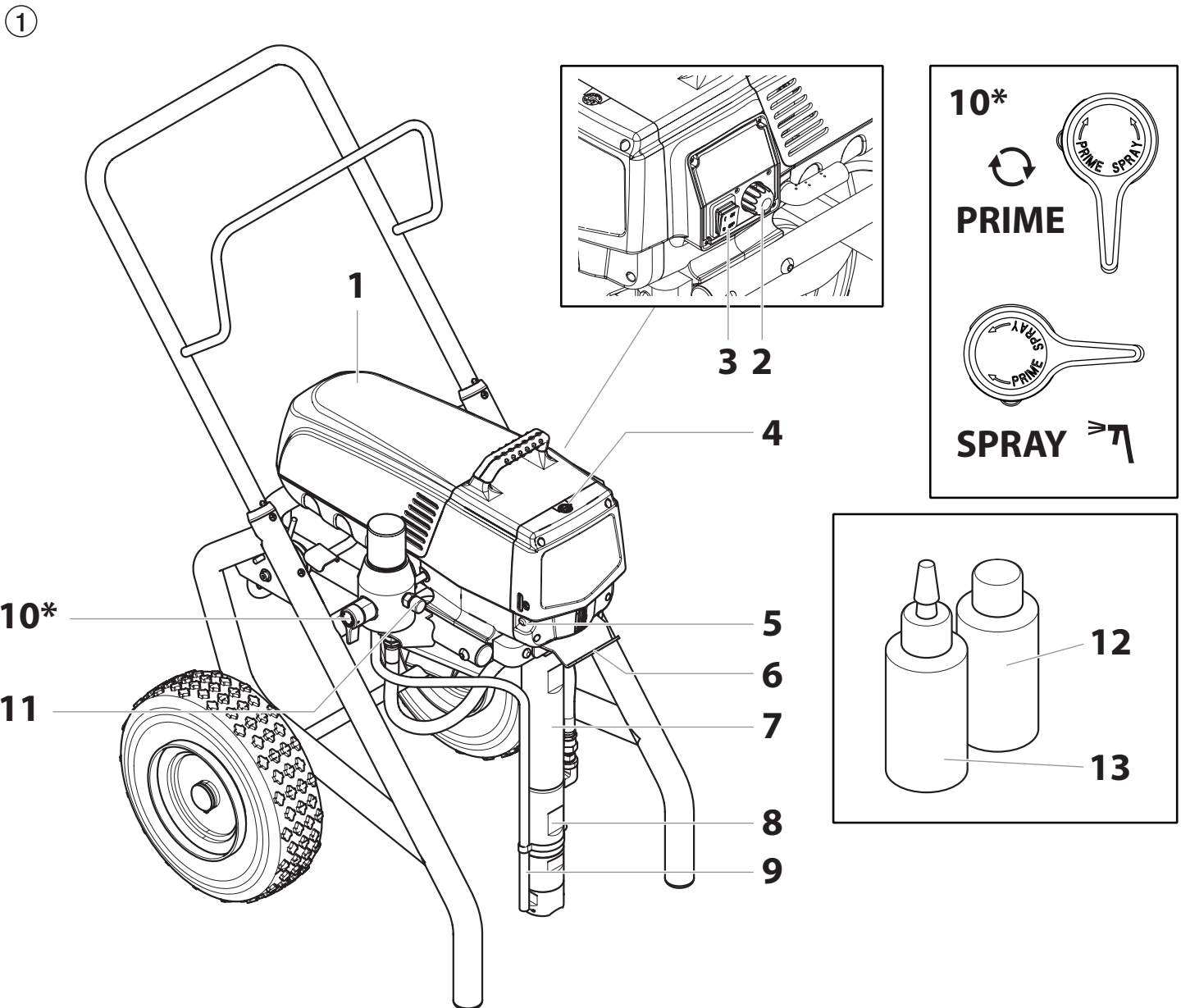
The inlet valve is opened automatically by the upwards movement of the piston. The outlet valve is opened when the piston moves downward.

The coating material flows under high pressure through the high-pressure hose to the spray gun. When the coating material exits from the tip it atomizes.

The pressure control knob controls the volume and the operating pressure of the coating material.

3.3 SYSTEM DIAGRAM

- 1. Motor
- 2. Pressure control knob
- 3. ON/OFF switch
- 4. Oiler cap
- 5. Oiler button
- 6. Pail bracket
- 7. Fluid section
- 8. Siphon tube
- 9. Return hose
- 10. PRIME/SPRAY valve
- 11. Outlet fitting
- 12. Liquid Shield™ (4 oz.)
- 13. Piston Lube™ (4 oz.)



4 OPERATION



This equipment produces a fluid stream at extremely high pressure. Read and understand the warnings in the Safety Precautions section at the front of this manual before operating this equipment.

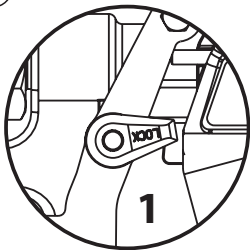
4.1 USING THE GUN TRIGGER LOCK



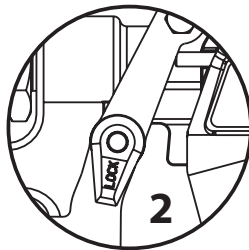
Always engage the gun's trigger lock when the gun is not in use.

1. To lock the trigger, rotate the trigger lock backwards until it stops.
2. To unlock the trigger, rotate the trigger lock forward until it is vertical.

②



**GUN LOCKED
(GUN WILL NOT SPRAY)**



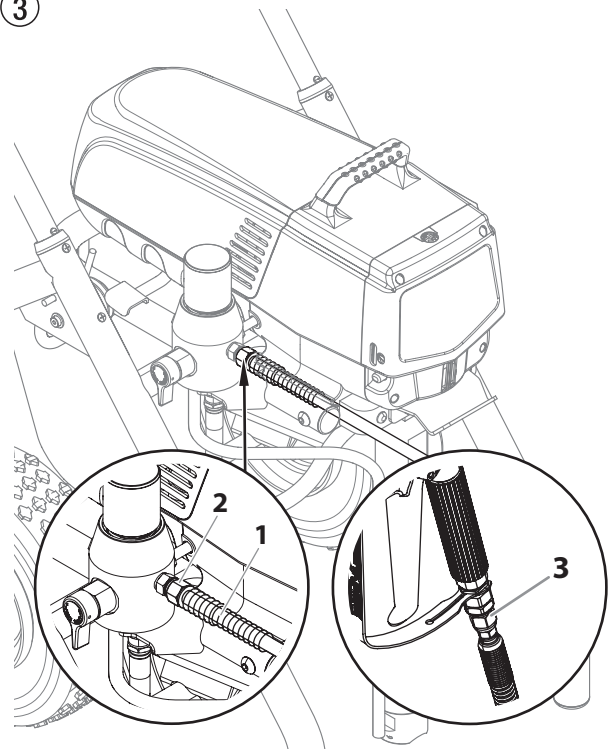
**GUN UNLOCKED
(GUN WILL SPRAY)**

4.2 SETUP

Perform the following procedure before plugging in the power cord of an electric unit.

1. Ensure that the siphon tube and the return hose are attached and secure.
2. Using a wrench, attach a minimum of 50' of 1/4" airless spray hose (1) to the outlet fitting (2) on the sprayer. Tighten securely.
3. Attach an airless spray gun (3) to the spray hose. Using two wrenches (one on the gun and one on the hose), tighten securely.

③

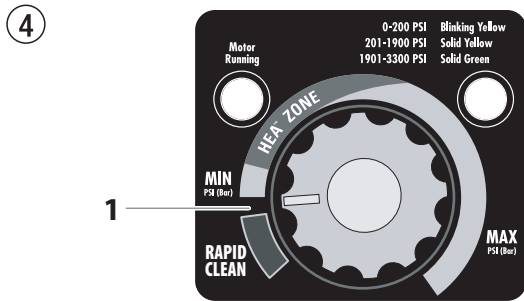


Do not attach the tip to the spray gun yet. Remove the tip if it is already attached.

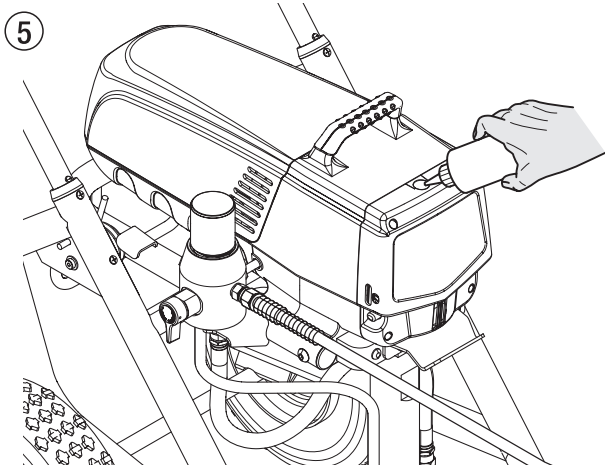


Make sure all airless hoses and spray guns are electrically grounded and rated at or above the maximum operating pressure range of the airless sprayer.

4. Make sure the pressure control knob is in its OFF position in the black zone (fig. 4, item 1).



5. Make sure the ON/OFF switch is in its OFF position.
6. Remove the fill cap with a straight-slot screwdriver, or a coin. Fill the oil reservoir with one ounce of piston seal lubricant (Piston Lube). Replace oiler cap.



7. Press oiler button 2-5 times to prime the oiler. Press once for every eight hours of usage to lubricate the fluid section.

 Attention	<p>Never operate unit for more than ten seconds without fluid. Operating this unit without fluid will cause unnecessary wear to the packings.</p>
----------------------	---

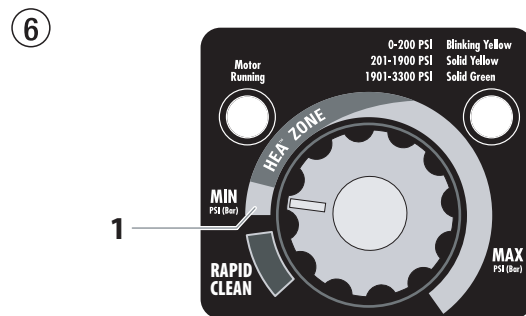
8. Make sure the electrical service is 120V, 15 amp minimum.
9. Plug the power cord into a properly grounded outlet at least 25' from the spray area.

 Attention	<p>Always use a minimum 12 gauge, three-wire extension cord with a grounded plug. Never remove the third prong or use an adapter.</p>
----------------------	---

4.3 PREPARING A NEW SPRAYER



	<p>If this sprayer is new, it is shipped with test fluid in the fluid section to prevent corrosion during shipment and storage. This fluid must be thoroughly cleaned out of the system with mineral spirits before you begin spraying.</p>
	<p>Always keep the trigger lock on the spray gun in the locked position while preparing the system.</p>

1. Place the siphon tube into a container of mineral spirits.
2. Place the return hose into a metal waste container.
3. Set the pressure to minimum by turning the pressure control knob to the "MIN" setting (fig. 6, item 1).




4. Move the PRIME/SPRAY valve down to the PRIME position.
5. Turn on the sprayer by moving the ON/OFF switch to the ON position.
6. Allow the sprayer to run for 15–30 seconds to flush the test fluid out through the return hose and into the waste container.
7. Turn off the sprayer by moving the ON/OFF switch to the OFF position.


4.4 PREPARING TO SPRAY

	<p>Before painting, it is important to make sure that the fluid in the system is compatible with the paint that is going to be used.</p> <p>Incompatible fluids and paint may cause the valves to become stuck closed, which would require disassembly and cleaning of the sprayer's fluid section.</p>
	<p>Always keep the trigger lock on the spray gun in the locked position while preparing the system.</p>

1. Place the siphon tube into a container of the appropriate solvent. Examples of the appropriate solvent are water for latex paint or mineral spirits for oil-based paints.
2. Place the return hose into a metal waste container.
3. Set the pressure to minimum by turning the pressure control knob to the "MIN" setting.
4. Move the PRIME/SPRAY valve down to the PRIME position.


	<p>Hold the return hose in the waste container when moving the PRIME/SPRAY valve to PRIME in case the sprayer is pressurized.</p>
---	---

5. Turn on the sprayer by moving the ON/OFF switch to the ON position.
6. Allow the sprayer to run for 15–30 seconds to flush the old solvent out through the return hose and into the metal waste container.
7. Turn off the sprayer by moving the ON/OFF switch to the OFF position.

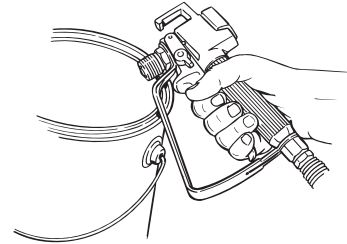
	<p>Make sure that the spray gun does not have a tip or tip guard installed.</p>
---	---

8. Move the PRIME/SPRAY valve up to the SPRAY position.
9. Turn on the sprayer.


10. Unlock the gun by pushing the gun trigger lock to the unlocked position.

	<p>Ground the gun by holding it against the edge of the metal container while flushing. Failure to do so may lead to a static electric discharge, which may cause a fire.</p>
---	---

⑦




11. Trigger the gun into the metal waste container until the old solvent is gone and fresh solvent is coming out of the gun.
12. Lock the gun by pushing the gun trigger lock to the locked position.
13. Set down the gun and increase the pressure by turning the pressure control knob slowly clockwise.
14. Check the entire system for leaks. If leaks occur, follow the "Pressure Relief Procedure" in this manual before tightening any fittings or hoses.
15. Follow the "Pressure Relief Procedure" in this manual before changing from solvent to paint.


	<p>Be sure to follow the Pressure Relief Procedure when shutting down the sprayer for any purpose, including servicing or adjusting any part of the spray system, changing or cleaning spray tips, or preparing for cleanup.</p>
---	--

4.5 SPRAYING

1. Place the siphon tube into a container of paint.
2. Place the return hose into a metal waste container.
3. Set the pressure to minimum by turning the pressure control knob to the "MIN" setting.
4. Move the PRIME/SPRAY valve down to the PRIME position.
5. Turn on the sprayer by moving the ON/OFF switch to the ON position.
6. Allow the sprayer to run until paint is coming through the return hose into the metal waste container.
7. Turn off the sprayer by moving the ON/OFF switch to the OFF position.
8. Remove the return hose from the waste container and place it in its operating position above the container of paint.
9. Move the PRIME/SPRAY valve up to the SPRAY position.
10. Turn on the sprayer.
11. Unlock the gun by pushing the gun trigger lock to the unlocked position.


	Ground the gun by holding it against the edge of the metal container while flushing. Failure to do so may lead to a static electric discharge, which may cause a fire.
---	--

12. Trigger the gun into the metal waste container until all air and solvent is flushed from the spray hose and paint is flowing freely from the gun.
13. Lock the gun by pushing the gun trigger lock to the locked position.
14. Turn off the sprayer.
15. Attach tip guard and tip to the gun as instructed by the tip guard or tip manuals.


	POSSIBLE INJECTION HAZARD. Do not spray without the tip guard in place. Never trigger the gun unless the tip is in either the spray or the unclog position. Always engage the gun trigger lock before removing, replacing or cleaning tip.
---	---

16. Turn on the sprayer.

17. Increase the pressure by turning the pressure control knob slowly clockwise and test the spray pattern on a piece of cardboard. Adjust the pressure control knob until the spray from the gun is completely atomized. Try to keep the pressure control knob at the lowest setting that maintains good atomization.

	Turning the pressure up higher than needed to atomize the paint will cause premature tip wear and additional overspray.
---	---

4.6 PRESSURE RELIEF PROCEDURE

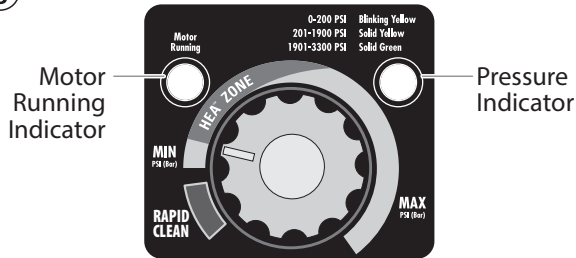
	Be sure to follow the Pressure Relief Procedure when shutting down the sprayer for any purpose, including servicing or adjusting any part of the spray system, changing or cleaning spray tips, or preparing for cleanup.
---	---

1. Lock the gun by pushing the gun trigger lock to the locked position.
2. Move the PRIME/SPRAY valve down to the PRIME position.
3. Turn off the sprayer by moving the ON/OFF switch to the OFF position.
4. Turn the pressure control knob counterclockwise to its OFF position in the black zone.
5. Unlock the gun by pushing the gun trigger lock to the unlocked position.
6. Hold the metal part of the gun firmly to the side of a metal container to ground the gun and avoid a build up of static electricity.
7. Trigger the gun to remove any pressure that may still be in the hose.
8. Lock the gun by pushing the gun trigger lock to the locked position.

4.7 CONTROL PANEL INDICATORS

The following is a description of the control panel indicators.

8



SERVICE INDICATOR

The Service indicator is on when the motor is commanded to run. This indicator is used by service centers to troubleshoot motor problems.

PRESSURE INDICATOR

The pressure indicator shows the current operating pressure of the sprayer. It has three different indications: blinking yellow, solid yellow, and solid green.

Blinking Yellow

When the pressure indicator is blinking yellow, the sprayer is operating between 0 and 200 PSI. A blinking yellow pressure indicator means:

- The sprayer is plugged in and turned "ON"
- The sprayer is at priming pressure (little or no pressure)
- It is safe to move the relief valve between positions
- It is safe to change or replace the spray tip



If the pressure indicator begins blinking yellow when the pressure control knob is set at a higher pressure and the relief valve is in the SPRAY position, either the spray tip is worn or the sprayer is in need of service/repair.

Solid Yellow

When the pressure indicator is solid yellow, the sprayer is operating between 201 PSI and 1900 PSI. A solid yellow pressure indicator means:

- The sprayer is at the proper pressure setting for spraying stain, lacquer, varnish, and multi-colors

Solid Green

When the pressure indicator is solid green, the sprayer is operating between 1901 PSI and 3300 PSI. A solid green pressure indicator means:

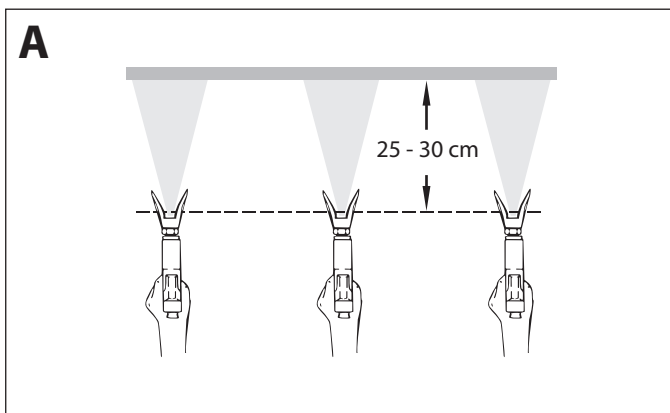
- The sprayer is at the proper pressure setting for spraying oil-based and latex house paints
- The sprayer is operating at peak performance at a high pressure setting
- If the pressure indicator goes to solid yellow when the pressure is set so that it starts at solid green, it indicates one of the following:
 - a. **Tip Wear Indicator** — when spraying with latex or at high pressure the solid yellow appears. This means the tip is worn and needs to be replaced.
 - b. **Tip Too Large** — when a tip that is too large for the sprayer is put in the gun, the pressure indicator will turn from solid green to solid yellow.
 - c. **Fluid Section Wear** — if a solid yellow pressure indicator appears when using a new tip and the pressure is set at maximum, service may be required (worn packings, worn piston, stuck valve, etc...).

5 SPRAYING TECHNIQUE



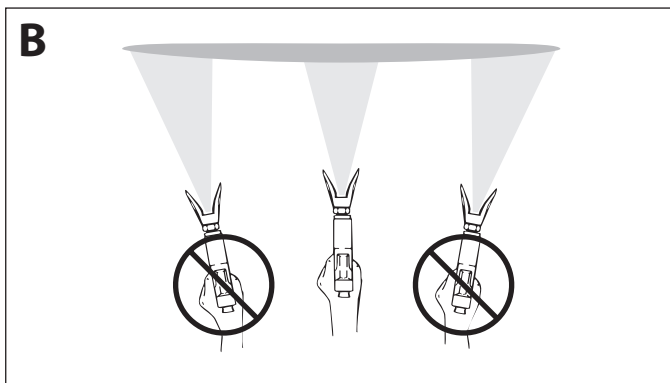
INJECTION HAZARD. Do not spray without the tip guard in place. NEVER trigger the gun unless the tip is completely turned to either the spray or the unclog position. ALWAYS engage the gun trigger lock before removing, replacing or cleaning tip.

- A)** The key to a good paint job is an even coating over the entire surface. Keep your arm moving at a constant speed and keep the spray gun at a constant distance from the surface. The best spraying distance is 10-12 inches (25 to 30 cm) between the spray tip and the surface.

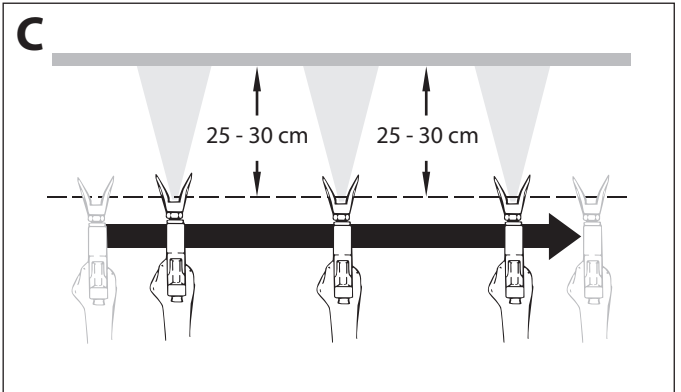


- B)** Keep the spray gun at right angles to the surface. This means moving your entire arm back and forth rather than just flexing your wrist.

Keep the spray gun perpendicular to the surface, otherwise one end of the pattern will be thicker than the other.



- C)** Trigger gun after starting the stroke. Release the trigger before ending the stroke. The spray gun should be moving when the trigger is pulled and released. Overlap each stroke by about 30%. This will ensure an even coating.



If very sharp edges result or if there are streaks in the spray jet – increase the operating pressure or dilute the coating material.

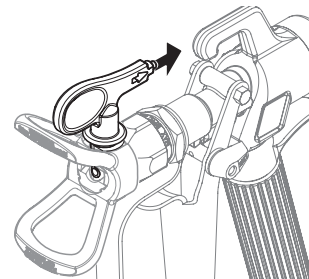
5.1 CLEANING A CLOGGED TIP



If the spray pattern becomes distorted or stops completely while pulling the trigger, perform the steps below.

1. Move the PRIME/SPRAY valve down to the PRIME position.
2. If the tip clogs, rotate the tip handle 180° until the arrow on the handle is facing the opposite of the spray direction and the handle clicks in the reverse position (Fig. 9).

9





3. Move the PRIME/SPRAY valve up to the SPRAY position.
4. Trigger the gun once so that the pressure can blow the clog out. NEVER use the tip in the reverse position for more than ONE trigger pull at a time. This procedure can be repeated until the tip is free of clogging.



The flow from the spray tip is at very high pressure. Contact with any body part may be dangerous. Do not place finger on gun outlet. Do not point the gun at any person. Never operate the spray gun without the proper tip guard.

6 CLEANUP


 <p>Attention</p>	<p>The sprayer, hose, and gun should be cleaned thoroughly after daily use. Failure to do so permits material to build up, seriously affecting the performance of the unit.</p>
	<p>Always spray at minimum pressure with the gun nozzle tip removed when using mineral spirits or any other solvent to clean the sprayer, hose, or gun. Static electricity buildup may result in a fire or explosion in the presence of flammable vapors.</p>

6.1 SPECIAL CLEANUP INSTRUCTIONS FOR USE WITH FLAMMABLE SOLVENTS

- Always flush spray gun preferably outside and at least one hose length from spray pump.
- If collecting flushed solvents in a one gallon metal container, place it into an empty five gallon container, then flush solvents.
- Area must be free of flammable vapors.
- Follow all cleanup instructions.


6.2 CLEANING THE SPRAYER

1. Follow the "Pressure Relief Procedure" found in the Operation section of this manual.
2. Remove the gun tip and tip guard and clean with a brush using the appropriate solvent.
3. Place the siphon tube into a container of the appropriate solvent. Examples of the appropriate solvent are water for latex paint or mineral spirits for oil-based paints.
4. Place the return hose into a metal waste container.
5. Move the PRIME/SPRAY valve down to its PRIME position.


	<p>Hold the return hose in the waste container when moving the PRIME/SPRAY valve to PRIME in case the sprayer is pressurized.</p>
---	---

6. Set the pressure to RAPID CLEAN by turning the pressure control knob to its RAPID CLEAN position.
7. Turn on the sprayer by moving the ON/OFF switch to the ON position.
8. Allow the solvent to circulate through the unit and flush the paint out of the return hose into the metal waste container.
9. Turn off the sprayer by moving the ON/OFF switch to the OFF position.


10. Move the PRIME/SPRAY valve up to its SPRAY position.
11. Turn on the sprayer.

	<p>Ground the gun by holding it against the edge of the metal container while flushing. Failure to do so may lead to a static electric discharge, which may cause a fire.</p>
---	---



12. Trigger the gun into the metal waste container until the paint is flushed out of the hose and solvent is coming out of the gun.
13. Continue to trigger the spray gun into the waste container until the solvent coming out of the gun is clean.

	<p>For long-term or cold weather storage, pump mineral sprits through the entire system. For short-term storage when using latex paint, pump water mixed with Titan Liquid Shield through the entire system (see the Accessories section of this manual for part number).</p>
---	---

14. Follow the "Pressure Relief Procedure" found in the Operation section of this manual.
15. Unplug the unit and store in a clean, dry area.

 <p>Attention</p>	<p>Do not store the unit under pressure.</p>
--	--

6.3 CLEANING THE OUTSIDE OF THE UNIT

	<p>Electric models - Make sure the power cord is unplugged to prevent electric shock.</p>
 <p>Attention</p>	<p>Danger of short circuit through penetrating water! Never spray down the unit with high-pressure water or high-pressure steam cleaners. Do not put the high-pressure hose into solvents. Use only a wet cloth to wipe down the outside of the hose.</p>

Wipe down unit externally with a cloth which has been immersed in a suitable cleaning agent.

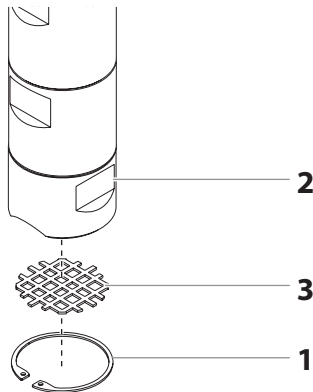
6.4 CLEANING THE FILTER SCREEN



A clean filter screen always guarantees maximum feed quantity, constant spraying pressure and problem-free functioning of the unit.

1. The filter screen will clog and must be cleaned at least once a day.
2. Remove the retaining ring (Fig. 10, item 1) from the foot valve housing (2).
3. Remove the inlet screen (3) from the foot valve housing (2).
4. Clean thoroughly with the appropriate solvent.

10



6.5 CLEANING AIRLESS SPRAY GUN



Clean the spray gun after each use.

1. Rinse airless spray gun with an appropriate cleaning agent.
2. Clean tip thoroughly with appropriate cleaning agent so that no coating material residue remains.
3. Thoroughly clean the outside of the airless spray gun.

INTAKE FILTER IN AIRLESS SPRAY GUN (FIG. 11)



Follow these steps if you used an accessory filter (sold separately) for the spray gun.

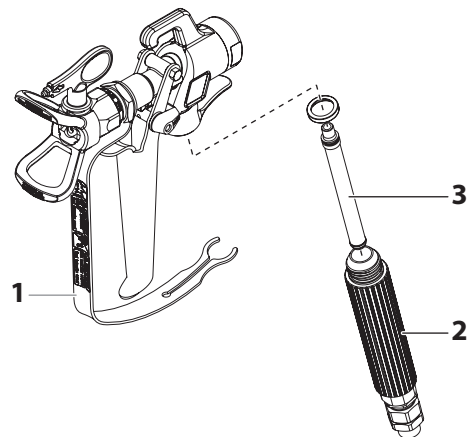
Removal

1. Pull trigger guard (1) forward firmly.
2. Screw handle (2) out of the gun housing. Remove intake filter (3).
3. Intake filter congested or defective – replace.



Replacement

1. Place intake filter (3) with the long cone into the gun housing.
2. Screw handle (2) into the gun housing and tighten.
3. Snap in trigger guard (1).


11



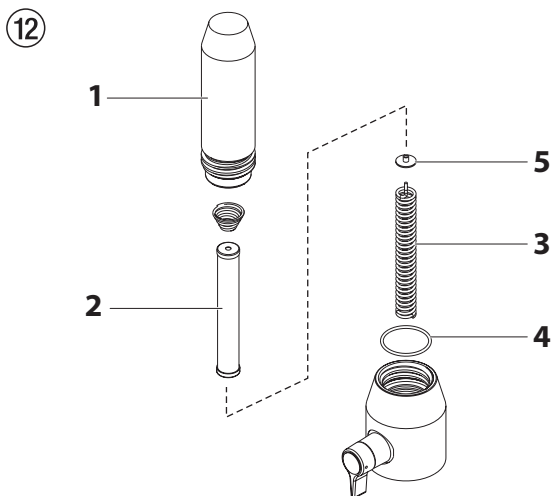
6.6 CLEANING THE HIGH-PRESSURE FILTER

	Follow these steps if you used an accessory filter (sold separately).
	Clean the filter cartridge regularly. A soiled or clogged high-pressure filter can cause a poor spray pattern or a clogged tip.

1. Turn the pressure control knob counterclockwise to minimum pressure.
2. Move the PRIME/SPRAY valve down to its PRIME position.
3. Switch the unit OFF.

	Unplug the power plug from the outlet.
---	--

4. Unscrew the filter housing (Fig. 12, Item 1). with a strap wrench.
5. Pull the filter cartridge (2) from the bearing spring (3).
6. Clean all the parts with the corresponding cleaning agent. If necessary, replace the filter cartridge.
7. Check the O-ring (4), replace it if necessary.
8. Place the bearing ring (5) against the bearing spring (3). Slide the filter cartridge (2) over the bearing spring.
9. Screw in filter housing (1) and tighten it as far as possible with the strap wrench.



7 TROUBLESHOOTING

PROBLEM	CAUSE	SOLUTION
A. The unit will not run.	<ol style="list-style-type: none"> 1. The unit is not plugged in. 2. Tripped breaker. 3. The pressure is set too low (pressure control knob set at minimum setting does not supply power to unit). 4. Faulty or loose wiring. 5. Excessive motor temperature. 6. ON/OFF switch is defective. 	<ol style="list-style-type: none"> 1. Plug the unit in. 2. Reset the breaker. 3. Turn the pressure control knob clockwise to supply power to the unit and increase the pressure setting. 4. Inspect or take to a Titan authorized service center. 5. Allow motor to cool. 6. Replace the ON/OFF switch.
B. The unit will not prime.	<ol style="list-style-type: none"> 1. The PRIME/SPRAY valve is in the SPRAY position. 2. Air leak in the siphon tube/siphon assembly. 3. The pump filter and/or inlet screen is clogged. 4. The siphon tube/siphon assembly is clogged. 	<ol style="list-style-type: none"> 1. Rotate the PRIME/SPRAY valve clockwise to the PRIME position. 2. Check the siphon tube/siphon assembly connection and tighten or re-tape the connection with PTFE tape. 3. Remove the pump filter element and clean. Remove the inlet screen and clean. 4. Remove the siphon tube/siphon assembly and clean.
C. The unit will not build or maintain pressure.	<ol style="list-style-type: none"> 1. The spray tip is worn. 2. The spray tip is too large. 3. The pressure control knob is not set properly. 4. The pump filter, gun filter, or inlet screen is clogged. 5. Material flows from the return hose when the PRIME/SPRAY valve is in the SPRAY position. 6. Air leak in the siphon tube/siphon assembly. 7. There is external fluid leak. 8. There is an internal fluid section leak (packings are worn and/or dirty, valve balls are worn). 9. Worn valve seats 10. Motor powers but fails to rotate 	<ol style="list-style-type: none"> 1. Replace the spray tip following the instructions that came with the spray gun. 2. Replace the spray tip with a tip that has a smaller orifice following the instructions that came with the spray gun. 3. Turn the pressure control knob clockwise to increase the pressure setting. 4. Remove the pump filter element and clean. Remove the gun filter and clean. Remove the inlet screen and clean. 5. Clean or replace the PRIME/SPRAY valve. 6. Check the siphon tube/siphon assembly connection and tighten or re-tape the connection with PTFE tape. 7. Check for external leaks at all connections. Tighten connections, if necessary. 8. Clean the valves and service the fluid section following the "Repacking the Fluid Section" procedure in the Maintenance section of this manual. 9. Reverse or replace the valve seats following the "Repacking the Fluid Section" procedure in the Maintenance section of this manual. 10. Take unit to a Titan authorized service center.
D. Fluid leakage at the upper end of the fluid section.	<ol style="list-style-type: none"> 1. The upper packings are worn. 2. The piston rod is worn. 	<ol style="list-style-type: none"> 1. Repack the pump following the "Repacking the Fluid Section" procedure in the Maintenance section of this manual. 2. Replace the piston rod following the "Repacking the Fluid Section" procedure in the Maintenance section of this manual.
E. Excessive surge at the spray gun.	<ol style="list-style-type: none"> 1. Wrong type of airless spray hose. 2. The spray tip worn or too large. 3. Excessive pressure. 	<ol style="list-style-type: none"> 1. Replace hose with a minimum of 50' of 1/4" grounded textile braid airless paint spray hose. 2. Replace the spray tip following the instructions that came with the spray gun. 3. Rotate the pressure control knob counterclockwise to decrease spray pressure.
F. Poor spray pattern.	<ol style="list-style-type: none"> 1. The spray tip is too large for the material being used. 2. Incorrect pressure setting. 3. Insufficient fluid delivery. 4. The material being sprayed is too viscous. 	<ol style="list-style-type: none"> 1. Replace the spray tip with a new or smaller spray tip following the instructions that came with the spray gun. 2. Rotate the pressure control knob to adjust the pressure for a proper spray pattern. 3. Clean all screens and filters. 4. Add solvent to the material according to the manufacturer's recommendations.
G. The unit lacks power.	<ol style="list-style-type: none"> 1. The pressure adjustment is too low. 2. Improper voltage supply. 	<ol style="list-style-type: none"> 1. Rotate the pressure control knob clockwise to increase the pressure setting. 2. Reconnect the input voltage for 120V AC.

8 SERVICING

8.1 GENERAL SERVICING

Servicing of the unit should be carried out once annually by the TITAN service.

1. Check high-pressure hoses, device connecting line and plug for damage.
2. Check the inlet valve, outlet valve and filter for wear.

8.2 HIGH-PRESSURE HOSE

Inspect the high-pressure hose visually for any notches or bulges, in particular at the transition in the fittings. It must be possible to turn the union nuts freely.



The risk of damage rises with the age of the high-pressure hose. Titan recommends replacing high-pressure hoses after 6 years.

9 MAINTENANCE



Switch the unit OFF.
Before all repair work: Unplug the power plug from the outlet.



Make sure to check for grounding continuity after service is performed on any electrical components.

Use an ohmmeter to determine that there is continuity between accessible dead-metal parts of the product and the grounding blade of the attachment plug.

9.1 PRIME/SPRAY VALVE

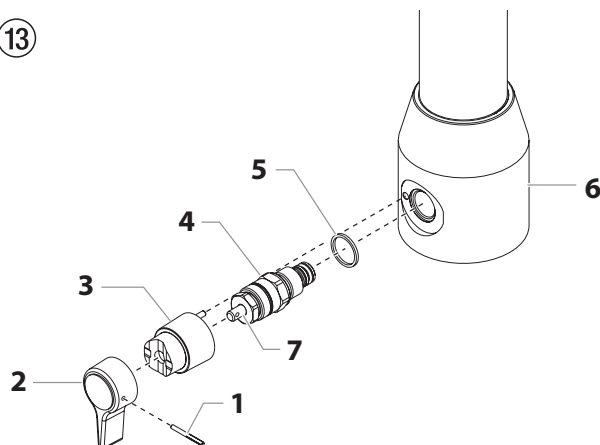


Attention

The valve housing (4) should not be repaired. If worn, it should always be replaced with a new one.

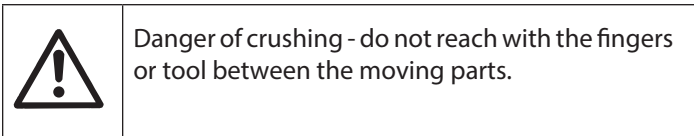
1. Use a drift punch of 2 mm to remove the grooved pin (Fig. 13, Item 1) from the valve handle (2).
2. Remove the valve handle (2) and cam base (3).
3. Using a wrench, remove the valve housing (4) from the pump manifold (6).
4. Ensure that the seal (5) is seated correctly, then screw the new valve housing (4) completely into the pump manifold (6). Tighten securely with a wrench.
5. Align the cam base (3) with the hole in the pump manifold (6). Lubricate the cam base with grease and slide on the cam base.
6. Bring the hole in the valve shaft (7) and in the relief valve handle (2) into alignment.
7. Insert the grooved pin (1) to secure the valve handle in position.

13



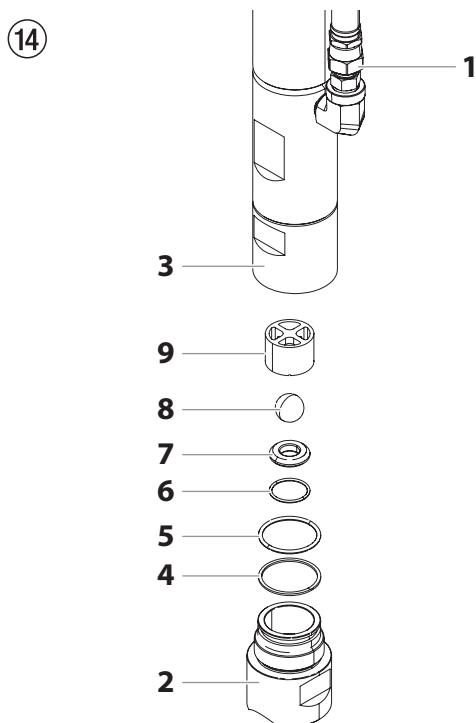
9.2 INLET AND OUTLET VALVE

1. Remove the four screws in the front cover and then remove the front cover.
2. Switch the unit ON and then OFF so that the piston rod is positioned in the lower stroke position.



3. Unplug the power plug from the outlet.
4. Pull off clamp on suction tube and remove return hose.
5. Loosen and remove the high-pressure hose (Fig. 14, item 1) from the fitting on the upper housing of the fluid section.
5. Swivel the unit 90° to the rear in order to work more easily on the material feed pump.
6. Loosen and unscrew inlet valve housing (2) from the lower housing (3) with light blows from a hammer or unscrew with an adjusting wrench.
7. Remove bearing ring (4), O-ring (5), O-ring (6), inlet valve seat (7), inlet valve ball (8) and upper ball guide (9).
8. Clean all the parts with the corresponding cleaning agent.

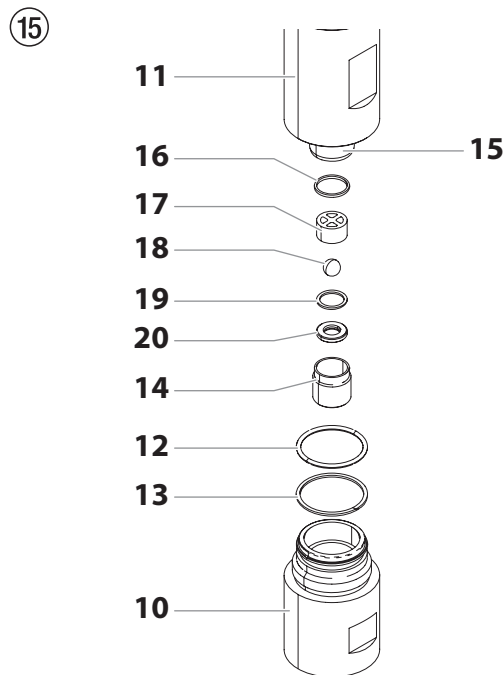
Check the inlet valve housing (2), inlet valve seat (7) and inlet valve ball (8) for wear and replace the parts if necessary. If the worn inlet valve seat (7) is unused on one side, install it the other way around.



9. Carry out installation in the reverse order.
Lubricate O-ring (5) with machine grease and ensure proper seating in the inlet valve housing (2).
10. Unscrew lower housing (Fig. 15, Item 10) with adjusting wrench while holding the upper housing (11) securely with a second adjusting wrench.

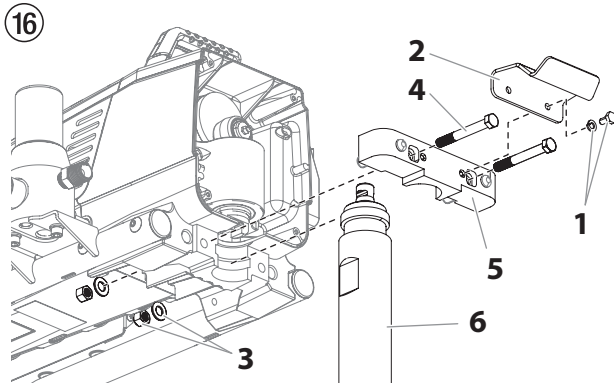
11. Remove bearing ring (13) and O-ring (12).
12. Screw out outlet valve housing (14) from the piston (15) with 3/8 inch hexagon socket head wrench.
13. Remove the upper seal (16), upper ball guide (17), outlet valve ball (18), washer (19) and outlet valve seating (20).
14. Clean all the parts with the corresponding cleaning agent. Check outlet valve housing (14), outlet valve seat (20), outlet valve ball (18) and upper ball guide (17) for wear and replace parts if necessary. If the worn outlet valve seat (20) is unused on one side, install it the other way around.

15. Carry out installation in the reverse order.
Lubricate O-ring (12) with machine grease and ensure proper seating in the lower housing (10).



9.3 REPACKING THE FLUID SECTION

1. Remove inlet valve housing in accordance with the steps in Chapter 9.2, Page 21.
2. It is not necessary to remove the outlet valve.
3. Remove the pail bracket bolts and washers (fig. 16, item 1). Remove the pail bracket (2). Loosen and remove the two nuts and washers (3) from underneath the sprayer. Remove the bolts (4) that secure the fluid section retainer (5). This will un-clamp the entire fluid section (6).
4. Slide the fluid section (6) forward to remove it from the gear housing.

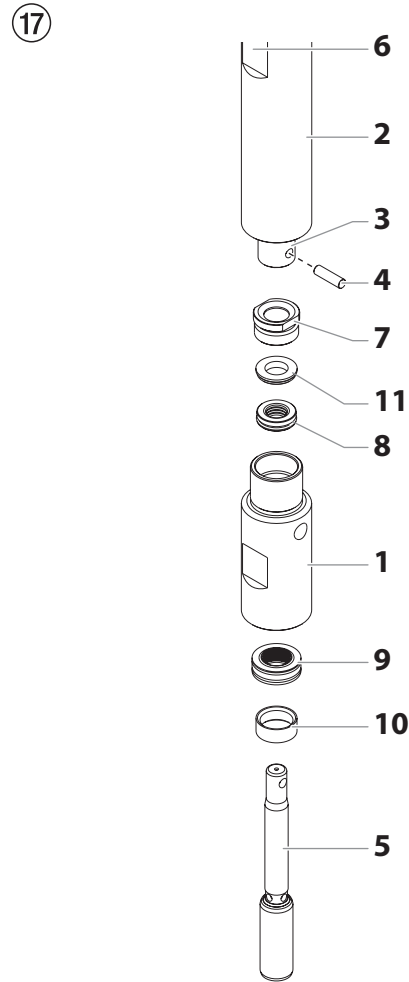


5. Turn the upper housing (fig. 17, item 1) counterclockwise to loosen it from the cylinder (2).
6. Slowly pull down the upper housing (1) just far enough to expose the extension slider (3) and the connecting pin (4) that connects the piston rod (5) to the extension slider (3).
7. Push the connecting pin (4) out of the extension slider and piston rod and remove the piston rod (5)/upper housing (1).
8. Place the fluid section cylinder upright in a vise by clamping on the wrench flats (Fig. 17, Item 6).

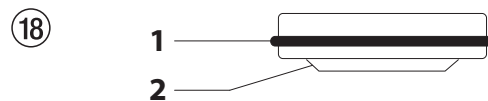
 Attention	<p>Do not tighten vice excessively to prevent crushing.</p>
----------------------	---

9. Using a wrench, remove the upper seal retainer (7).
10. Slide the piston rod (5) out through the bottom of the upper housing (1).
11. Inspect the piston rod for wear and replace if necessary.
12. Remove the upper packing (8) and lower packing (9) from the upper housing (1).

 Attention	<p>Do not damage inside of upper housing.</p>
----------------------	---

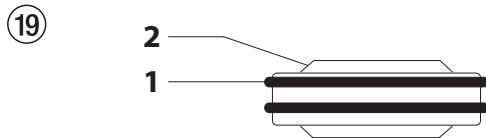


13. Clean the upper housing. Inspect the upper housing for damage and replace if necessary.
14. Lubricate upper packing (8) and lower packing (9) with machine grease.
15. Insert upper packing (Fig. 18) with O-ring (1) and protruding lip (2) downward into the upper housing (6).



16. Insert the spacer (11) on top of the upper packing.
17. Thread the upper seal retainer (7) into the upper housing and torque to 25-30 ft. lbs.

18. Pre-form the lower packing using the lower packing sizing tool (included in the repacking kit).
19. Insert lower packing (Fig. 19) in such a way that the side with the smaller distance between the O-ring (1) and the protruding lip (2) faces upward.

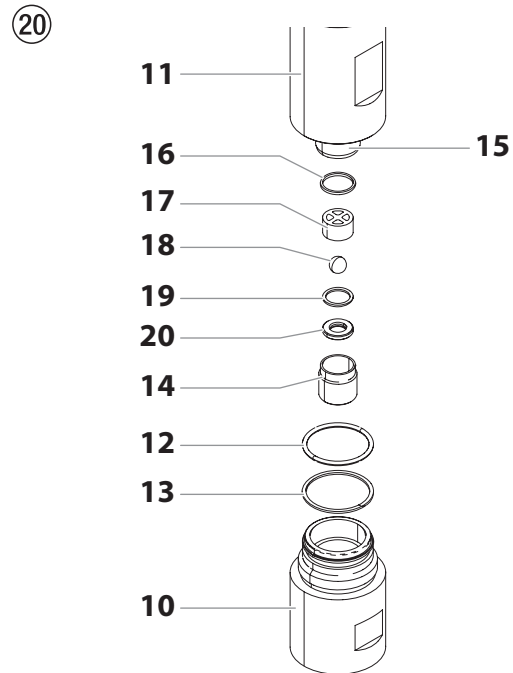


20. Push the lower packing (9) into position using the lower packing insertion tool (see Fluid Section Assembly parts list for lower packing insertion tool P/N).
21. Place the piston insertion tool (included in the repacking kit) over the top of the piston rod (5).
22. Lubricate installation tool and piston (5) with machine grease.
23. Insert the piston rod (5) into the bottom of the upper housing (1), through the lower packing (9), through the upper packing (8), and out through the upper seal retainer (7).

i	When repacking the fluid section, make sure the raised lip on the bottom of the lower packing is fully outside the packing around the piston rod after insertion of the piston rod.
----------	---

24. Remove installation tool from piston (5).
25. Lubricate the threads on the upper housing (1) with anti-seize compound. Remove the upper housing from the vise.
26. Insert the piston rod (5) into the extension slider (3). When the connecting pin hole on the piston rod lines up with the hole in the extension slider, insert the connecting pin (4).
27. Thread the upper housing (1) into the cylinder (2), turning clockwise.
28. Continue to turn the upper housing clockwise until it is flush against the cylinder.
29. Replace the cylinder (2) back into the fluid section clamp on the gear housing. Make sure to slide the top of the piston rod extension into the T-slot on the slider assembly.
30. Place the fluid section block back into position over the fluid section. Replace the bolts that secure the fluid section block to the gear housing. Replace the washers and tighten the bolts. Replace the pail bracket and secure with the bolts.

31. Making sure that the o-ring (fig. 20, item 12) and PTFE back-up ring (fig. 20, item 13) are lubricated and in place, thread the lower housing (10) into the upper housing (11). Using two wrenches, hold the upper housing at the wrench flats with one wrench and tighten the lower housing with the other. Torque to 400 +/- 20 in.-lbs.



32. Attach the high-pressure hose to the nipple on the back of the housing and tighten with a wrench. Do not kink the hose.

i	Make sure the hose does not touch the cart frame. If it does, reposition the nipple by turning the upper housing until the hose is clear of the frame and the nipple is within 45° of the back of the unit.
----------	---

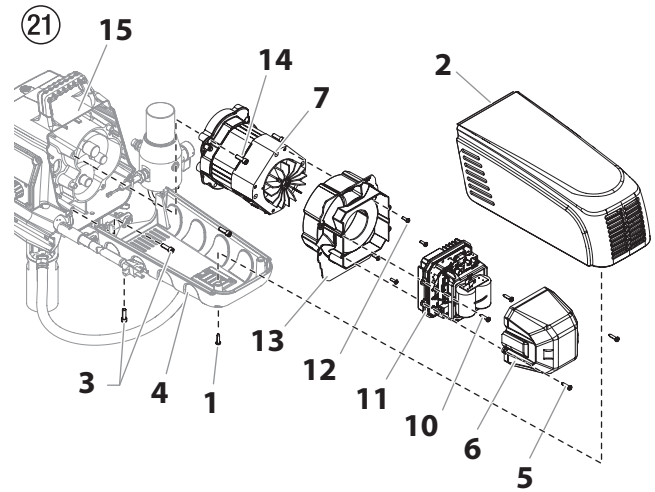
33. Screw in inlet valve housing (Fig. 14, item 2), see Chapter 9.2, item 9.
34. Fasten return hose with clamp at suction tube.
35. Install front cover.

9.4 REPLACING THE MOTOR



The following procedure must only be performed by a Titan Authorized Service Center.

1. Unplug the unit.
2. Loosen and remove the two motor shroud screws (Fig 21, Item 1). Remove the motor shroud (2).
3. Loosen and remove the three belly pan screws (3). Remove the belly pan (4).
4. Loosen and remove the two motor cover screws (5). Remove the motor cover (6).
5. Disconnect all wires between the motor (7) and the sprayer.
6. Loosen and remove the two motor controller screws (10). Remove the motor controller (11).
7. Loosen and remove the four motor baffle screws (12). Remove the motor baffle (13).
8. Loosen and remove the three motor mounting screws (14).
9. Pull the motor (7) out of the gearbox housing (15).
10. With the motor removed, inspect the gears in the gearbox housing for damage or excessive wear. Replace the gears, if necessary.
11. Install the new motor (7) into the gearbox housing (15).
12. Secure the motor (7) with the three motor mounting screws (14).
13. Reconnect the wires between the sprayer and the new motor (refer to the Connection Diagram, section 11.7).
14. Place the baffle (13) over the end of the motor assembly (7). Secure with the four motor baffle screws (12).
15. Place motor controller (11) back into place behind the motor baffle (13). Secure with the two motor controller screws (10).
16. Reconnect all wires between the motor (7) and sprayer.
17. Place the motor cover (6) back over the motor controller (11). Secure with the two motor cover screws (5).
18. Put the belly pan (4) back in place and secure with the three belly pan screws (3).
19. Slide the motor shroud (2) over the motor assembly (7).
20. Secure the motor shroud (2) with the two motor shroud screws (1).



9.5 REPLACING THE GEARS



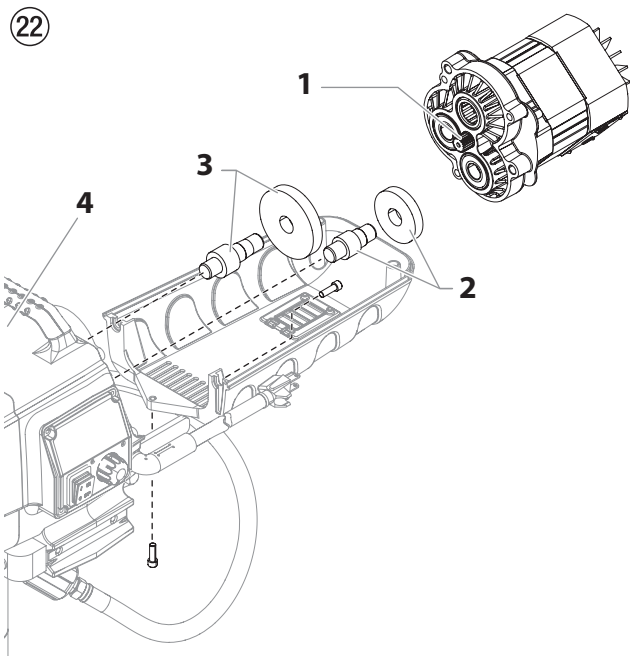
The following procedure must only be performed by a Titan Authorized Service Center.

1. Follow steps 1-9 in **Replacing the Motor Assembly** (section 9.4) to remove the motor and control panel.
2. Inspect the armature gear (Fig. 22, Item 1) on the end of the motor for damage or excessive wear. If the gear is completely worn out, replace the motor assembly.
3. Remove and inspect the 1st stage gear (2) and 2nd stage gear (3) assemblies for damage or excessive wear. Replace, if necessary.
4. Inspect the front gear box (4) assembly for damage or excessive wear. If damaged or worn, replace the front gear box assembly.



Clean and refill the gear box cavity up to the rear face of each gear with Lubriplate (P/N 314-171).

5. Reinstall the motor into the gearbox housing (4).
6. Follow steps 11-20 in **Replacing the Motor Assembly** (section 9.4) to replace the motor.

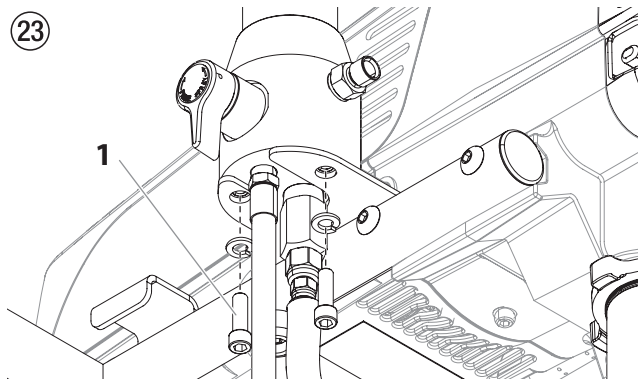


9.6 REPLACING THE TRANSDUCER



The following procedure must only be performed by a Titan Authorized Service Center.

1. Unplug the unit.
2. Loosen and remove the two filter assembly bolts (Fig. 23, Item 1). Slide the filter assembly from the cart.



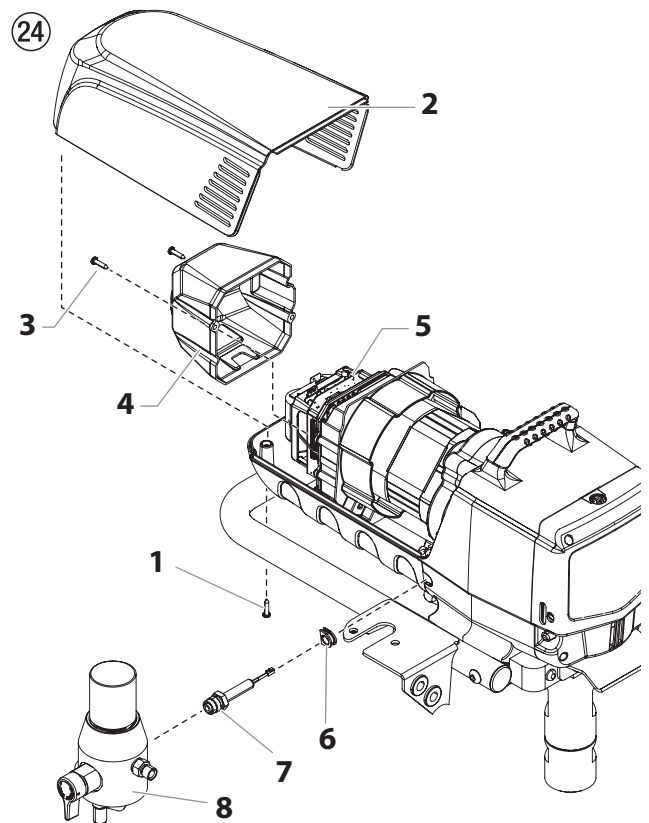
3. Loosen and remove the two motor shroud screws (Fig. 24, Item 1). Remove the motor shroud (2).
4. Loosen and remove the two motor cover screws (3). Remove the motor cover (4).
5. Disconnect the transducer wire from the motor controller (5).
6. Pull the grommet (6) out of the mounting plate and slide it up the shaft of the transducer (7) until it is clear of the mounting plate.

7. Using a wrench, loosen and remove the transducer (7) from the filter housing (8). Carefully thread the transducer wire out through the mounting plate.
8. Slide the grommet (6) off of the old transducer (7) and onto the new transducer.
9. Thread the new transducer wire through the mounting plate and back to the motor controller (5).
10. Thread the new transducer (7) into the filter housing (8) and tighten securely with a wrench.

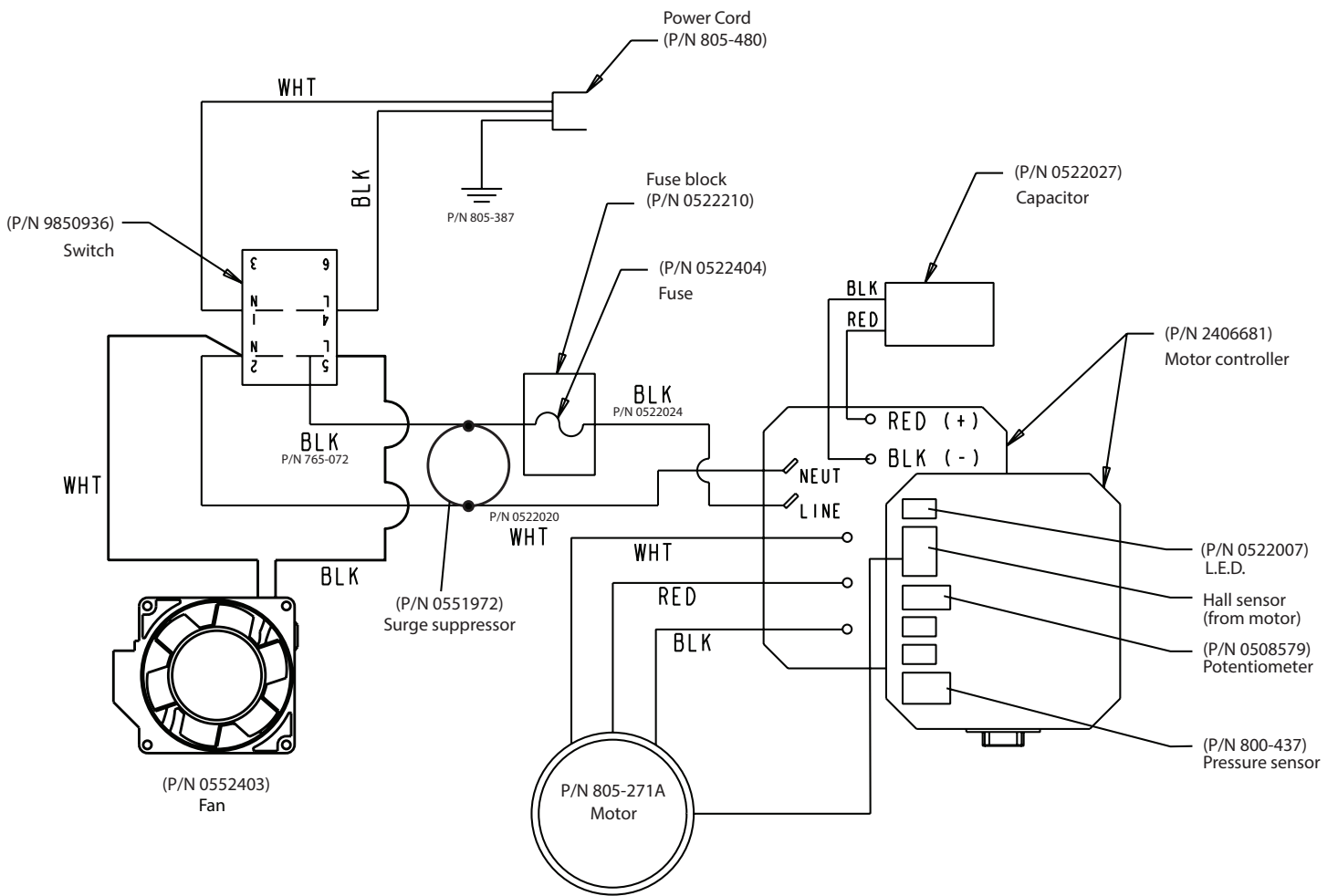


Make sure the o-ring on the transducer is in place before threading the transducer into the filter housing.

11. Push the grommet (6) into the mounting plate.
12. Connect the transducer wire to the motor controller (refer to the Connection Diagram, section 9.7).
13. Place the motor cover (4) back over the motor controller (5). Secure with the two motor cover screws (3).
14. Slide the motor shroud (2) over the motor assembly.
15. Secure the motor shroud (2) with the two motor shroud screws (1).
16. Reattach the filter assembly to the cart.



9.7 IMPACT 1040T CONNECTION DIAGRAM



WARRANTY

Titan Tool, Inc., ("Titan") warrants that at the time of delivery to the original purchaser for use ("End User"), the equipment covered by this warranty is free from defects in material and workmanship. With the exception of any special, limited, or extended warranty published by Titan, Titan's obligation under this warranty is limited to replacing or repairing without charge those parts which, to Titan's reasonable satisfaction, are shown to be defective within twelve (12) months after sale to the End User. This warranty applies only when the unit is installed and operated in accordance with the recommendations and instructions of Titan.

This warranty does not apply in the case of damage or wear caused by abrasion, corrosion or misuse, negligence, accident, faulty installation, substitution of non-Titan component parts, or tampering with the unit in a manner to impair normal operation.

Defective parts are to be returned to an authorized Titan sales/service outlet. All transportation charges, including return to the factory, if necessary, are to be borne and prepaid by the End User. Repaired or replaced equipment will be returned to the End User transportation prepaid.

THERE IS NO OTHER EXPRESS WARRANTY. TITAN HEREBY DISCLAIMS ANY AND ALL IMPLIED WARRANTIES INCLUDING, BUT NOT LIMITED TO, THOSE OF MERCHANTABILITY AND FITNESS FOR A PARTICULAR PURPOSE, TO THE EXTENT PERMITTED BY LAW. THE DURATION OF ANY IMPLIED WARRANTIES WHICH CANNOT BE DISCLAIMED IS LIMITED TO THE TIME PERIOD SPECIFIED IN THE EXPRESS WARRANTY. IN NO CASE SHALL TITAN LIABILITY EXCEED THE AMOUNT OF THE PURCHASE PRICE. LIABILITY FOR CONSEQUENTIAL, INCIDENTAL OR SPECIAL DAMAGES UNDER ANY AND ALL WARRANTIES IS EXCLUDED TO THE EXTENT PERMITTED BY LAW.

TITAN MAKES NO WARRANTY AND DISCLAIMS ALL IMPLIED WARRANTIES OF MERCHANTABILITY AND FITNESS FOR A PARTICULAR PURPOSE WITH RESPECT TO ACCESSORIES, EQUIPMENT, MATERIALS OR COMPONENTS SOLD BUT NOT MANUFACTURED BY TITAN. THOSE ITEMS SOLD, BUT NOT MANUFACTURED BY TITAN (SUCH AS GAS ENGINES, SWITCHES, HOSES, ETC.) ARE SUBJECT TO THE WARRANTY, IF ANY, OF THEIR MANUFACTURER. TITAN WILL PROVIDE THE PURCHASER WITH REASONABLE ASSISTANCE IN MAKING ANY CLAIM FOR BREACH OF THESE WARRANTIES.

Attention!

Danger de blessure par injection de produit!

Les groupes "Airless" produisent des pressions de projection extrêmement élevées.



1

Ne jamais exposer les doigts, les mains ou d'autres parties du corps au jet!

Ne jamais diriger le pistolet vers soi, vers d'autres personnes ou vers des animaux.

Utiliser toujours le pistolet muni de sa protection.

Ne traitez pas une blessure par injection comme simple coupure.

En cas de blessure de la peau par l'injection de peintures ou de solvants, consultez sans retard un médecin. Renseignez le médecin sur la nature de la peinture ou du solvant utilisés.

2

Avant toute mise en service, respecter les points suivants conformément aux instructions de service:

1. Ne jamais utiliser un équipement défectueux.
2. Verrouiller le pistolet Titan par le levier de sécurité à la gâchette.
3. Assurer la mise à la terre correcte.
4. Vérifier et respecter les pressions admissibles pour le flexible et le pistolet.
5. Contrôler l'étanchéité de tous les raccords.

3

Respecter sans faute les instructions relatives au nettoyage et à l'entretien réguliers du matériel.

Avant toute intervention sur le matériel et pendant chaque interruption de travail, observer les règles suivantes:

1. Evacuer la pression du pistolet et du flexible.
2. Verrouiller le pistolet Titan par le levier de sécurité à la gâchette.
3. Arrêter le groupe.

Ne négligez pas la sécurité!

1	PRESCRIPTIONS DE SÉCURITÉ POUR LA PROJECTION AIRLESS	30	7	DÉPANNAGE	45
1.1	Explication des symboles utilisés	30	8	ENTRETIEN	46
1.2	Directives de mise à la terre	30	8.1	Entretien général	46
1.3	Dangers pour la sécurité	31	8.2	Flexible à haute pression	46
2	GÉNÉRALITÉS D'UTILISATION	34	9	RÉPARATIONS DU MATÉRIEL	46
2.1	Caractéristiques techniques	34	9.1	Soupape de PRIME/SPRAY	46
3	DESCRIPTION DU MATÉRIEL	34	9.2	Soupape d'admission et de refoulement	47
3.1	Le procédé Airless	34	9.3	Remplacement des garnitures d'étanchéité de la section de liquide	48
3.2	Fonctionnement du matériel	34	9.4	Remplacement du moteur	50
3.3	Schéma du système	35	9.5	Remplacement des roues d'engrenage	50
4	FONCTIONNEMENT	36	9.6	Remplacement du transducteur	51
4.1	Utilisation du blocage de la détente du pistolet	36	9.7	Schéma électrique Impact 1040T	52
4.2	Installation	36	GARANTIE		53
4.3	Préparation d'un nouveau vaporisateur	37	PIÈCES DE RECHANGE		80
4.4	Préparation avant de peindre	38	Liste des pièces de rechange ensemble principal	80/81	
4.5	Pulvérisation	39	Liste des pièces de rechange carter d'engrenages	82/83	
4.6	Procédure de décharge de pression	39	Liste des pièces de rechange pompe à peinture	84/85	
4.7	Voyants du panneau de commandes	40	Liste des pièces de rechange bouchon-filtre	86/87	
5	TECHNIQUE DE PULVÉRISATION	41	Liste des pièces de rechange chariot haut	88/89	
5.1	Nettoyage d'une buse obstruée	41	ACCESSOIRES		90/91
6	NETTOYAGE	42			
6.1	Consignes spéciales de nettoyage lors de l'utilisation du pistolet avec des solvants inflammables	42			
6.2	Nettoyage du pulvérisateur	42			
6.3	Nettoyage extérieur du groupe	42			
6.4	Filtre d'aspiration	43			
6.5	Nettoyage du pistolet Airless	43			
6.6	Nettoyage du filtre haute pression	44			

1 PRESCRIPTIONS DE SÉCURITÉ

1.1 EXPLICATION DES SYMBOLES UTILISÉS

Veillez lire et être sûr de comprendre toutes les informations contenues dans ce manuel avant d'utiliser l'appareil. Lorsque vous pénétrez dans une zone qui contient les symboles suivants, soyez particulièrement vigilant et vérifiez que les systèmes de sécurité sont bien installés.



→ Ce symbole indique un risque potentiel pouvant entraîner des blessures graves ou même mortelles. Vous trouverez ci-après d'importantes consignes de sécurité.



Attention

→ Ce symbole indique un risque potentiel pour vous ou pour l'appareil. D'importantes informations sur la manière d'éviter tout dommage de l'équipement ou d'éviter des blessures légères sont indiquées ci-après.



→ Danger de blessure par injection de produit



→ Danger d'incendie



→ Risque d'explosion



→ Vapeurs toxiques et/ou inflammables. Danger d'intoxication et de brûlure



→ Risque de choc électrique



→ Les notes contiennent des informations qui doivent être consciencieusement respectées.

1.2 DIRECTIVES DE MISE À LA TERRE

Cet appareil doit être mis à la terre. En cas de court-circuit, cette précaution réduit les risques de choc en procurant un parcours au courant électrique. Le cordon de l'appareil est doté d'un fil de terre relié à la troisième broche de sa fiche. Cette dernière doit être branchée dans une prise correctement câblée et mise à la terre conformément aux codes et règlements locaux.

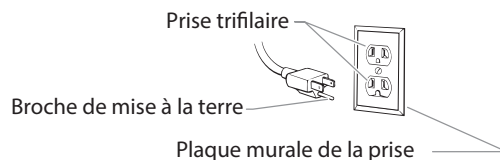


MISE EN GARDE - Le fait de ne pas brancher correctement la fiche trifilaire de l'appareil peut entraîner des risques de choc électrique.

Si on doit réparer ou remplacer le cordon ou la fiche, ne pas raccorder le fil de terre à la borne des broches plates (lames) de cette dernière. Ce fil, normalement vert (avec ou sans rayures jaunes), doit être relié à la broche de terre.

Consulter un technicien ou un électricien qualifié à défaut de comprendre l'ensemble des présentes directives ou en cas d'incertitude quant à la mise à terre de l'appareil. Ne pas modifier la fiche de l'appareil; si elle ne s'adapte pas dans la prise voulue, la faire remplacer par un électricien qualifié.

Conçu pour les circuits de 120 V, cet appareil est doté d'une fiche ressemblant à celle illustrée ci-dessous. S'assurer que le produit est connecté à une prise électrique ayant la même configuration que la fiche mâle. Ne pas utiliser d'adaptateur avec ce produit.



Attention

Quand le pulvérisateur est utilisé avec un générateur de tension de la ligne ou non, l'utilisation de Titan "Line Surge Protector" (P / N 800-935) est recommandée.

1.3 DANGERS POUR LA SÉCURITÉ



RISQUE : BLESSURE PAR PROJECTION

Un courant de liquide à haute pression produit par cet équipement peut percer la peau et les tissus sous-cutanés, et entraîner des blessures graves ou une amputation.

Ne traitez pas une blessure par injection comme simple coupure. En cas de blessure de la peau par l'injection de peintures ou de solvants, consultez sans retard un médecin. Renseignez le médecin sur la nature de la peinture ou du solvant utilisés.

PRÉVENTION :

- Ne dirigez pas le pistolet sur et ne pulvérisez pas les personnes ou les animaux.
- N'approchez pas les mains ni d'autres parties du corps de la sortie du produit. Par exemple, ne tentez pas d'arrêter une fuite avec une partie du corps.
- NE JAMAIS mettre la main, même gantée, devant le pistolet (les gants n'offrent aucune protection contre les blessures par injection).
- TOUJOURS s'assurer que le protège-embout est en place avant de pulvériser. Il est cependant à noter que, s'il assure une certaine protection, ce dispositif joue surtout un rôle préventif.
- Utilisez exclusivement un embout de buse spécifié par le fabricant.
- Prenez garde quand vous nettoyez ou que vous changez les embouts de buse. Si l'embout se bouche pendant que vous pulvérisez, verrouillez TOUJOURS la détente du pistolet, arrêtez la pompe et libérez toute la pression avant de réparer ou de nettoyer l'embout ou le protecteur ou avant de changer d'embout. La pression n'est pas libérée par l'arrêt du moteur. La poignée du robinet-valve PRIME/SPRAY doit être placée sur PRIME pour libérer la pression. Consultez la PROCÉDURE DE DÉCOMPRESSION décrite dans le manuel de la pompe.
- Ne laissez pas l'appareil sous tension ou sous pression quand vous vous en éloignez. Quand vous n'utilisez pas l'appareil, éteignez-le et libérez la pression conformément aux instructions du fabricant.
- La pulvérisation à haute pression peut injecter des toxines dans le corps et causer de graves blessures corporelles. Si une telle injection se produisait, consultez immédiatement un médecin.
- Vérifiez les tuyaux et les pièces pour détecter des signes d'endommagement : une fuite peut injecter le produit dans la peau. Inspectez le tuyau avant chaque emploi. Changez tous les tuyaux ou pièces endommagés. Pour des raisons de fonctionnement, de sécurité et de durée de vie, utiliser exclusivement des tuyaux flexibles à haute pression d'origine de TITAN.
- Ce système peut produire une pression de 3 300 PSI / 22,8 MPa. N'utilisez que les pièces de rechange ou les accessoires spécifiés par le fabricant et ayant une pression nominale minimum de 3 300 PSI. Ceci est valable pour les embouts de pulvérisation, les protecteurs de buse, les pistolets, les rallonges, les raccords et le tuyau.
- Verrouillez toujours la détente quand vous ne pulvérisez pas. Vérifiez que le verrou de la détente fonctionne correctement.
- Vérifiez que toutes les connexions sont bien serrées avant d'utiliser l'appareil.
- Sachez comment arrêter l'appareil et le dépressuriser rapidement. Soyez bien familiarisé avec les commandes. La pression n'est pas libérée lorsque le moteur est arrêté. La poignée du robinet-valve PRIME/SPRAY doit être placée sur PRIME pour libérer la pression. Consultez la PROCÉDURE DE DÉCOMPRESSION décrite dans le manuel de la pompe.
- Retirez toujours l'embout de pulvérisation avant de rincer ou de nettoyer le système.



REMARQUE À L'INTENTION DES MÉDECINS :

Les injections cutanées sont des lésions traumatiques; il importe donc de les traiter sans délai. On NE DOIT PAS retarder ce traitement sous prétexte de vérifier la toxicité du produit en cause, celle-ci n'étant conséquente que dans le cas d'injection directe de certains produits dans le système sanguin. Il pourrait s'avérer nécessaire de consulter un plasticien ou un spécialiste en chirurgie reconstructive de la main.



RISQUE : FLEXIBLE À HAUTE PRESSION

Le tuyau de peinture peut présenter des fuites dues à l'usure, aux pincements et aux mauvaises utilisations. Toute fuite peut entraîner une projection de matériau dans la peau. Vérifiez soigneusement le tuyau avant chaque utilisation.

PRÉVENTION :

- Il faut éviter de trop plier le flexible; le plus petit rayon ne doit pas être inférieur à 20 cm.
- Protéger le flexible contre le passage de véhicules et éviter le frottement sur des arêtes vives.
- Remplacer immédiatement tout tuyau à haute pression endommagé.
- Ne jamais essayer de réparer un flexible endommagé!
- La charge électrostatique du pistolet et du flexible est évacuée par ce dernier. Pour cette raison, la résistance électrique entre les raccords du flexible doit être égale ou inférieure à 1 mégaohm.
- Pour des raisons de fonctionnement, de sécurité et de durée utile utiliser exclusivement des flexibles à haute pression originaux de Titan.
- Avant chaque utilisation, vérifiez que les tuyaux ne présentent ni coupures, ni fuites, ni signes d'abrasion ou de renflement du revêtement. Vérifiez l'état et le mouvement des raccords. Remplacez immédiatement les tuyaux s'ils sont en mauvais état. Ne réparez jamais un tuyau de peinture. Remplacez-le par un tuyau à haute pression relié à la masse.
- Assurez vous que le tuyau à air et les tuyaux de pulvérisation sont disposés de façon à éviter les risques de glissade, de trébuchement ou de chute.



RISQUE : EXPLOSION ET INCENDIE

Les vapeurs inflammables, telles que les vapeurs de solvant et de peinture, dans une zone de travail peuvent s'enflammer ou exploser.

PRÉVENTION :

- Ne pulvérisez pas de matières inflammables ou combustibles près d'une flamme nue, de voyants lumineux ou de sources d'ignition telles que des objets chauds, cigarettes, moteurs, matériel et appareils électriques. Évitez de produire des étincelles en connectant et en déconnectant les cordons électriques.
- S'entourer de toutes les précautions possibles lorsqu'on utilise des produits ayant un point d'éclair inférieur à 38°C (100°F). Le point d'éclair est la température à laquelle le liquide peut créer suffisamment de vapeurs et s'enflammer.
- L'écoulement de peinture ou de solvant dans l'équipement peut produire de l'électricité statique. L'électricité statique crée un risque d'incendie ou d'explosion en présence de fumées de peinture ou de solvant. Toutes les pièces du système du pulvérisateur, y compris la pompe, l'ensemble du tuyau, le pistolet de pulvérisation et les objets dans et autour de la zone de pulvérisation doivent être correctement reliés à la terre pour protéger contre les décharges d'électricité statique et les étincelles. N'utilisez que des tuyaux conducteurs ou reliés à la terre pour pulvérisateurs de peinture sous vide à haute pression, spécifiés par le fabricant.
- Vérifiez que tous les conteneurs ou systèmes de stockage sont reliés à la terre pour éviter les décharges d'électricité statique.
- Connectez à une prise électrique avec prise de terre et utilisez des rallonges électriques reliées à la terre. N'utilisez pas d'adaptateur 3 à 2.
- N'utilisez pas de peinture ou de solvant contenant du halon, par exemple, le chlore, les agents antimoisissure à l'eau de Javel, le chlorure de méthylène et le trichloroéthane. Ils ne sont pas compatibles avec l'aluminium. Contactez le fournisseur de revêtements pour connaître la compatibilité du matériau avec l'aluminium.
- La zone de pulvérisation doit toujours être bien aérée. Une bonne quantité d'air frais doit constamment traverser la zone de pulvérisation pour éviter les accumulations de vapeurs inflammables. Le système de pompage doit être placé dans une zone bien aérée. Ne pulvérisez pas le système de pompage.
- Ne fumez pas dans la zone de pulvérisation.
- N'actionnez pas d'interrupteurs électriques, de moteurs ou autres dispositifs produisant des étincelles dans la zone de pulvérisation.

- Maintenez la propreté de la zone et veillez à ce qu'elle ne contienne pas de conteneurs de peinture ou de solvant, de chiffons et autres matières inflammables.
- Sachez ce que contiennent la peinture et les solvants pulvérisés. Lisez les fiches de sécurité du matériel (SDS) et les étiquettes apposées sur les conteneurs de peintures et de solvants. Respectez les consignes de sécurité du fabricant de peinture et de solvant.
- Placez la pompe à une distance minimum de 7,62 mètres (25 pieds) de l'objet à pulvériser, dans une zone bien aérée (ajoutez de la longueur de tuyau si besoin est). Les vapeurs inflammables sont souvent plus lourdes que l'air. La zone près du sol doit être très bien aérée. La pompe contient des pièces qui produisent des arcs et émettent des étincelles pouvant enflammer les vapeurs.
- Le plastique peut causer des étincelles d'électricité statique. N'accrochez aucun plastique dans une zone de pulvérisation fermée. N'utilisez pas de toiles de protection en plastique quand vous pulvériser une matière inflammable.
- Ayez un extincteur en bon état de fonctionnement à portée de main.



RISQUE : VAPEURS DANGEREUSES

Les peintures, solvants, et autres matériaux peuvent être nocifs en cas d'inhalation ou de contact avec la peau. Les vapeurs peuvent entraîner de sérieuses nausées, des syncopes ou des empoisonnements.

PRÉVENTION :

- Pendant le travail de protection porter un masque respiratoire. Lisez attentivement toutes les instructions fournies avec le masque pour vous assurer qu'il fournit bien la protection nécessaire.
- Tous les règlements locaux en matière de protection contre les vapeurs toxiques doivent être respectés.
- Portez des protections oculaires.
- Pour protéger la peau il est nécessaire de porter des vêtements de protection, des gants et d'utiliser éventuellement une crème de protection de la peau. Observer les prescriptions des fabricants au sujet des produits de peinture, de nettoyage et des solvants pendant la préparation, la mise en oeuvre et le nettoyage du matériel.



RISQUE : GÉNÉRALITÉS

peut entraîner des blessures sévères ou des dégâts matériels.

PRÉVENTION :

- Portez toujours les gants, la protection oculaire, les vêtements et un respirateur ou masque appropriés quand vous peignez.
- Ne travaillez pas et ne pulvériser pas près d'enfants. Éloignez toujours les enfants de l'équipement.
- Ne travaillez pas avec les bras au-dessus de la tête ni sur un support instable. Appuyez-vous bien sur les deux pieds pour toujours conserver l'équilibre.
- Soyez attentif et regardez ce que vous faites.
- N'utilisez pas l'appareil quand vous êtes fatigué ou sous l'influence de drogues ou d'alcool.
- Ne faites pas de nœuds avec le tuyau et ne le tordez pas trop. Le tuyau à vide peut présenter des fuites suite à l'usure, les nœuds ou les mauvais traitements. Une fuite risque d'injecter du produit dans la peau.
- N'exposez pas le tuyau à des températures ou des pressions supérieures à celles spécifiées par le fabricant.
- N'utilisez pas le tuyau pour tirer ou soulever l'équipement.
- Utilisez la plus basse pression possible pour rincer l'équipement.
- Respectez tous les codes locaux, étatiques et nationaux qui régulent la ventilation, la prévention d'incendies et le fonctionnement.
- Les normes de sécurité du gouvernement des États-Unis ont été adoptées dans la loi Occupational safety and Health Act (OSHA). Ces normes, en particulier la partie 1910 des Normes générales et la partie 1926 des Normes de construction, doivent être consultées.
- Avant chaque emploi, vérifiez tous les tuyaux pour détecter d'éventuelles coupures, fuites, abrasion ou couvercle bombé. Vérifiez l'état ou le mouvement des accouplements. Changez immédiatement le tuyau si l'une de ces conditions est vérifiée. Ne réparez jamais un tuyau de peinture. Remplacez-le par un tuyau conducteur à haute pression.
- Ne pulvériser pas à l'extérieur par temps venteux.
- Débranchez toujours le cordon électrique de la prise avant de travailler sur l'équipement.

2 GÉNÉRALITÉS D'UTILISATION



Ce pulvérisateur sans air est un outil électrique de précision utilisé pour pulvériser de nombreux types de produits, y compris les produits texturés provenant d'une formule prête pour l'emploi ou en poudre.

Veillez lire attentivement le présent mode d'emploi et respecter les instructions de fonctionnement, d'entretien et de sécurité.

2.1 CARACTÉRISTIQUES TECHNIQUES

Débit (GPM)	1,15 (4,35 LPM)
Embout, dimension maximale	1 pistolet - 0,033" 2 pistolet - 0,021"
Pression maximale	3 300 PSI (22,8 MPa)
Source de puissance	2,5 HP moteur DC de Brushless, 100~120V AC, 50/60Hz, 15A
Poids	44,5 kg
Cordon d'alimentation dimension maximale	91.4 m
Génératrice	5 000 watts, 20 A, générateur sinusoïdal, fonctionnalité de régime ralenti désactivée

3 DESCRIPTION DU MATÉRIEL

3.1 LE PROCÉDÉ AIRLESS

Le domaine principal d'utilisation est l'application de couches épaisses de produits visqueux sur grandes surfaces avec débit élevé.

La pompe à piston aspire le produit et le refoule sous pression vers la buse. En passant par l'orifice de la buse avec une pression de maximum 228 bar (22,8 MPa) le produit est éclaté en très fines particules.

Etant donné l'absence d'air dans ce système, il est connu sous le nom „AIRLESS“ (sans air).

Ce procédé de projection comporte les avantages tels que pulvérisation très fine, peu de brouillard, surfaces lisse sans bulles. A part de ces avantages, il y a lieu de mentionner la vitesse de travail et la maniabilité.

3.2 FONCTIONNEMENT DU MATÉRIEL

Pour mieux comprendre le fonctionnement, voici une brève description de la conception technique:

Titan Impact 1040T est un matériel de projection par haute pression à entraînement électrique.

Un engrenage transmet la rotation sur un vilebrequin, qui de son côté imprime au piston de la pompe de produit un mouvement alternatif.

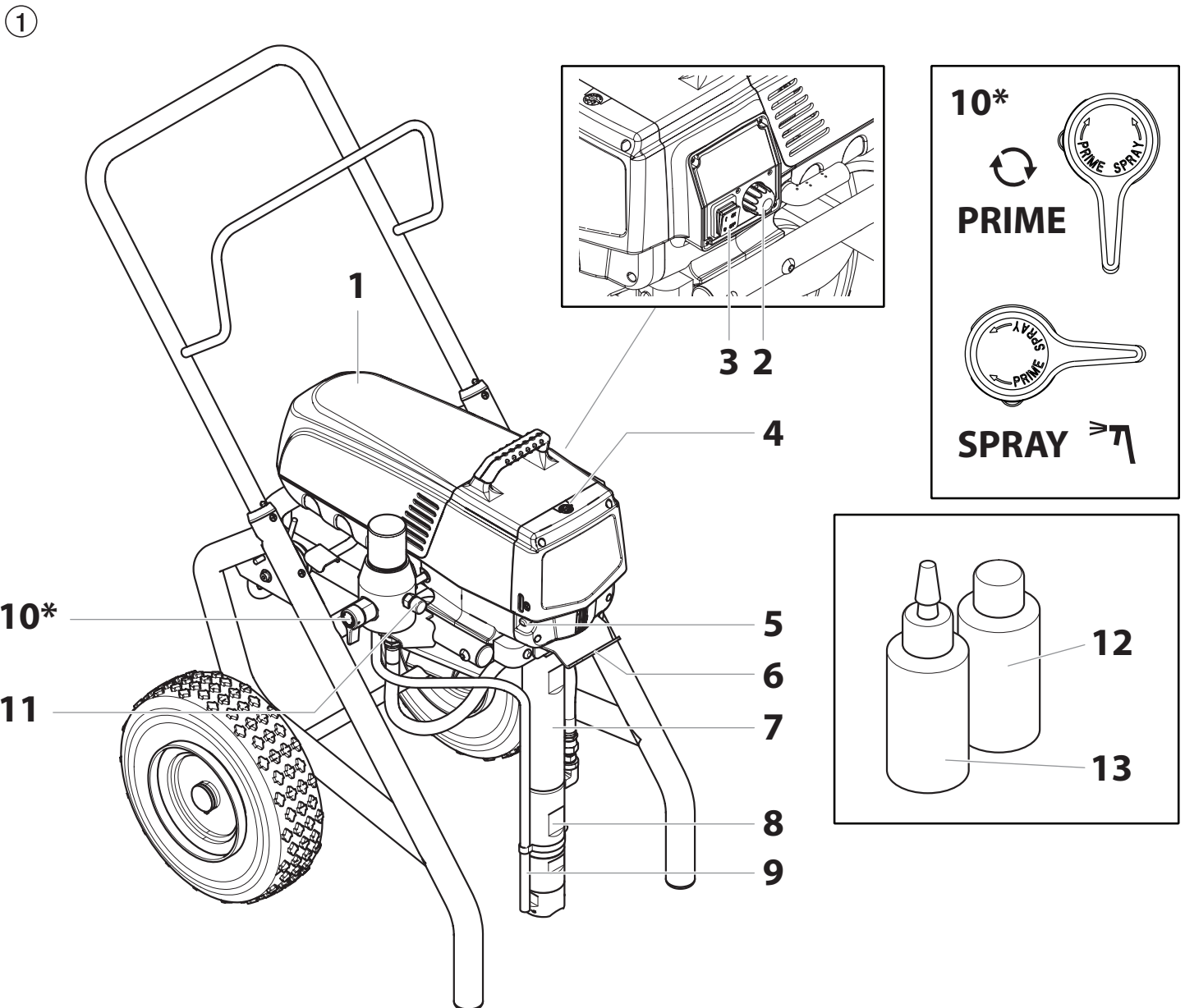
A la montée du piston, la soupape d'aspiration s'ouvre automatiquement. A la descente, le clapet de refoulement s'ouvre à son tour.

Le produit de revêtement est transporté sous une pression élevée à travers le flexible haute pression au pistolet, où il est éclaté au passage de la buse.

Le régulateur de pression règle le débit ainsi que la pression de service du produit de revêtement.

3.3 SCHÉMA DU SYSTÈME

- 1. Moteur
- 2. Bouton de régulation de pression
- 3. Commutateur ON/OFF
- 4. Bouchon de graisseur
- 5. Bouton de graisseur
- 6. Support de seau
- 7. Section des liquides
- 8. Flexible d'aspiration
- 9. Tube de retour
- 10. Soupape PRIME/SPRAY
- 11. Raccord de flexible
- 12. Liquid Shield™ (118 ml)
- 13. Piston Lube™ (118 ml)



4 FONCTIONNEMENT



Cet appareil produit un jet à très haute pression; avant de le faire fonctionner, il est donc essentiel de lire et de comprendre les avertissements formulés dans la section Consignes de sécurité à l'avant de ce manuel.

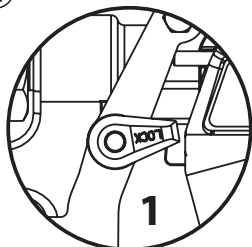
4.1 UTILISATION DU BLOCAGE DE LA DÉTENTE DU PISTOLET



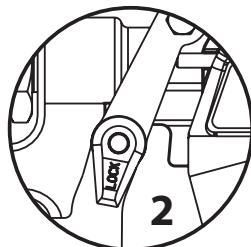
Engagez toujours le blocage de la détente du pistolet lorsque le pistolet n'est pas utilisé.

1. Pour bloquer la détente, faites tourner le blocage de la détente vers l'arrière à fond.
2. Pour débloquer la détente, faites tourner le blocage de la détente vers l'avant jusqu'à la position verticale.

②



**DÉTENTE BLOQUÉE
(LE PISTOLET NE
PULVÉRISE PAS)**



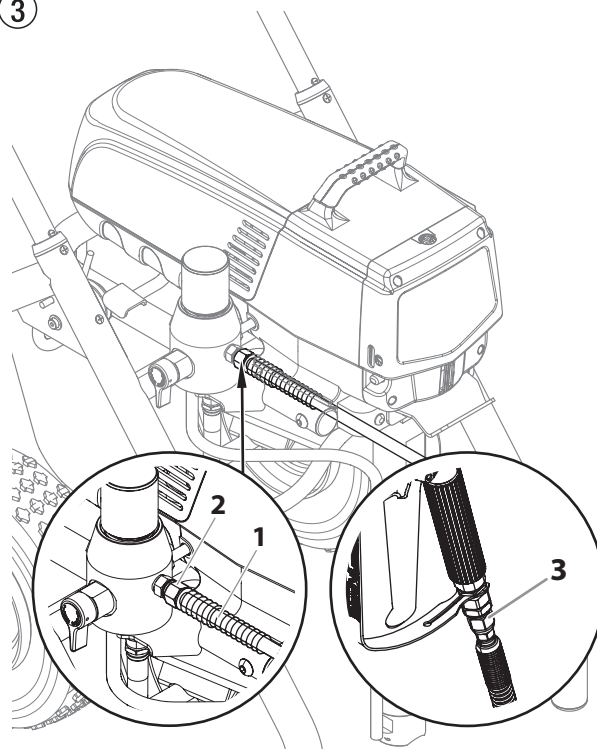
**DÉTENTE DÉBLOQUÉE
(LE PISTOLET
PULVÉRISE)**

4.2 INSTALLATION

On doit procéder aux étapes suivantes avant de brancher le cordon d'alimentation de l'appareil.

1. S'assurer que le flexible et le bloc d'aspiration soient solidement fixés.
2. Fixer un flexible de vaporisation (1), conçu pour les appareils à dépression, et mesurant au moins 15 mètres (50 pi), au raccord de sortie sur le pulvérisateur. Serrez bien.
3. Fixer un pistolet à vaporisation (3) au flexible de vaporisation; À l'aide de deux clés (une sur le pistolet et une sur le tuyau), serrez fermement.

③

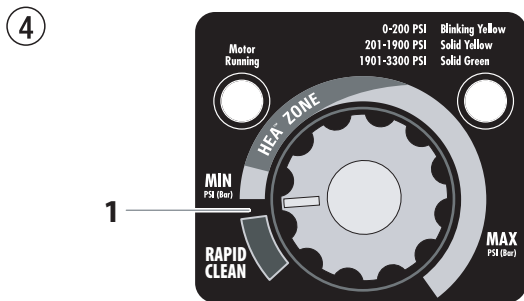


Ne pas encore fixer l'embout sur le pistolet de vaporisation. Démontez l'embout s'il est déjà fixé.

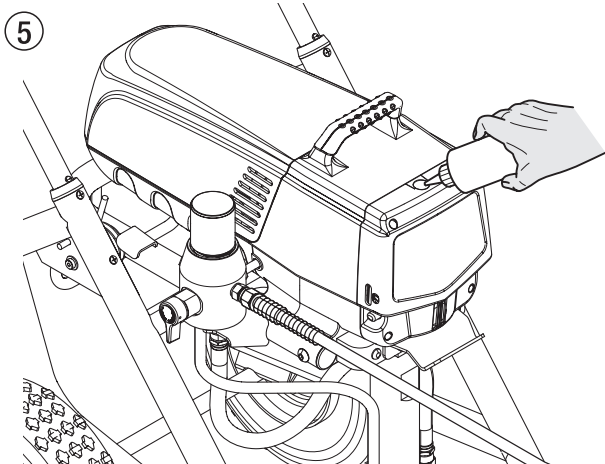


Assurez-vous que tous les tuyaux et pistolets-pulvérisateurs sans air comprimé sont mis à la terre et que leur pression de régime nominale atteint ou dépasse la plage maximale du pulvérisateur sans air comprimé.

4. S'assurer que le bouton de régulation de pression soit à la position OFF (zone noire) (fig. 4, pos. 1).



5. S'assurer que le commutateur soit à la position OFF.
6. Enlevez le bouchon de graisseur à l'aide d'un tournevis à tête plate. Remplir le réservoir avec une once de piston sceau lubrifiant (Piston Lube). Remplacer le bouchon de graisseur.



7. Poussez 2-5 fois sur le bouton pour préparer la graisseur. Poussez une fois pour toutes les huit heures d'utilisation pour lubrifier le section de liquides.

 Attention	<p>Ne jamais faire fonctionner l'appareil sans liquide pendant plus de 10 secondes, ce qui pourrait user inutilement les tampons graisseurs.</p>
----------------------	--

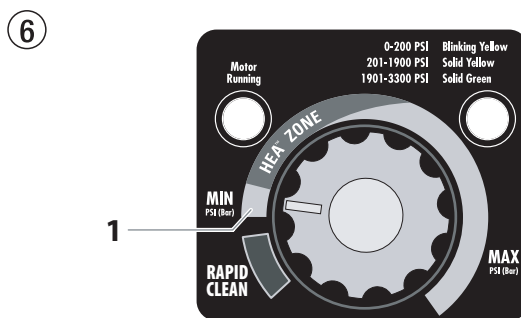
8. S'assurer que l'alimentation électrique soit d'au moins 15 A à 120 V.
9. Brancher le cordon d'alimentation dans une prise adéquatement mise à la terre située à une distance d'au moins 7,5 m (25 pi) de la surface à vaporiser.

 Attention	<p>Les rallonges utilisées doivent être trifilaires, de calibre 12 et dotées d'une fiche à broche de MALT; on ne doit jamais retirer cette troisième broche ou utiliser un adaptateur.</p>
----------------------	--

4.3 PRÉPARATION D'UN NOUVEAU VAPORISATEUR



	<p>Si cet appareil est neuf, il contient encore un liquide d'essai mis en usine pour le protéger de la corrosion en cours d'expédition ou d'entreposage. Ce liquide doit être complètement éliminé au moyen d'essence minérale avant que l'appareil puisse être utilisé.</p>
	<p>La détente du pistolet doit toujours être verrouillée lorsqu'on procède à ces vérifications préliminaires.</p>

1. Mettre le flexible d'aspiration dans un contenant d'essence minérale.
2. Mettre le flexible de retour dans un contenant de purge métallique.
3. Régler la pression au minimum en mettant le bouton de régulation à la position "MIN" (fig. 6, pos 1).




4. Abaisser la soupape prime/Spray à la position PRIME.
5. Mettre l'appareil en marche en mettant le commutateur à la position ON.
6. Laisser le vaporisateur fonctionner pendant 15 à 30 secondes pour évacuer le liquide d'essai par le flexible de retour, jusqu'au contenant de purge.
7. Arrêter l'appareil en mettant le commutateur à la position OFF.


4.4 PRÉPARATION AVANT DE PEINDRE

	<p>Avant de peindre, il est important de s'assurer que le liquide dans l'appareil est compatible avec le produit à utiliser.</p> <p>L'incompatibilité liquide/produit peut provoquer le blocage des soupapes, ce qui entraînerait le besoin de démonter et de nettoyer la section des liquides du vaporisateur.</p>
	<p>La détente du pistolet doit toujours être verrouillée lorsqu'on procède à ces vérifications préliminaires.</p>

1. Mettre le flexible d'aspiration dans un contenant de solvant approprié (de l'eau dans le cas de peintures au latex, de l'essence minérale dans le cas de peintures à l'huile, etc.).
2. Mettre le flexible de retour dans un contenant de purge métallique.
3. Régler la pression au minimum en mettant le bouton de régulation à la position "MIN".
4. Abaisser la soupape PRIME/SPRAY à la position PRIME.


	<p>Tenez le tube de retour dans le conteneur de déchets en faisant passer le PRIME / SPRAY soupape de PRIME dans le cas où le pulvérisateur est sous pression.</p>
---	--

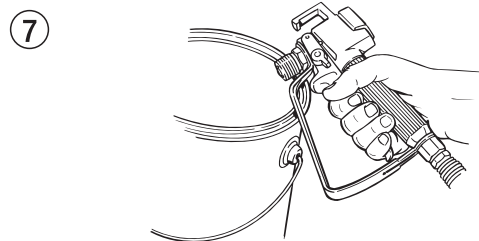
5. Mettre l'appareil en marche en mettant le commutateur à la position ON.
6. Laisser le vaporisateur fonctionner pendant 15 à 30 secondes pour évacuer le solvant usé par le flexible de retour, jusqu'au contenant de purge.
7. Arrêter l'appareil en mettant le commutateur à la position OFF.

	<p>S'assurer que l'embout ou le protège-embout ne soient pas installés.</p>
---	---


8. Soulever la soupape PRIME/SPRAY à la position SPRAY.
9. Mettre l'appareil en marche.

10. Déverrouiller le pistolet en mettant le verrou de détente à la position appropriée.

	<p>On doit mettre le pistolet à la terre en le tenant contre le bord du contenant de purge métallique pendant qu'il se vide afin d'éviter les risques de décharges électrostatiques, lesquelles peuvent provoquer un incendie.</p>
---	--




11. Appuyer sur la détente en visant le contenant métallique pour purger le solvant usé du pistolet, jusqu'à ce que du solvant frais en ressorte.
12. Verrouiller le pistolet en mettant le verrou de détente à la position appropriée.
13. Déposer le pistolet et augmenter la pression en tournant lentement le bouton de régulation vers la droite.
14. Inspecter tous les composants afin d'y détecter des fuites potentielles. Le cas échéant, suivre les directives de la section Procédure de décompression du présent manuel avant de fixer les flexibles et de serrer les raccords.
15. Procéder aux étapes de la section Procédure de décompression du présent manuel avant de passer du solvant au produit de peinture.


	<p>On doit effectuer la procédure de décompression chaque fois qu'on arrête l'appareil pour en faire la maintenance, en changer les réglages de vaporisation, en remplacer/ nettoyer les embouts ou en effectuer la préparation en vue d'un nettoyage.</p>
---	--

4.5 PULVÉRISATION


1. Mettre le flexible d'aspiration dans un contenant de produit de peinture.
2. Mettre le flexible de retour dans un contenant de purge métallique.
3. Régler la pression au minimum en mettant le bouton de régulation à la position "MIN".
4. Abaisser la soupape PRIME/SPRAY à la position PRIME.
5. Mettre l'appareil en marche en mettant le commutateur à la position ON.
6. Laisser le vaporisateur fonctionner jusqu'à ce que le produit commence à s'écouler par le flexible de retour dans le contenant de purge.
7. Arrêter l'appareil en mettant le commutateur à la position OFF.
8. Retirer le flexible de retour du contenant de purge et le mettre à sa position normale, au-dessus du contenant de produit de peinture.
9. Soulever la soupape PRIME/SPRAY à la position SPRAY.
10. Mettre l'appareil en marche.
11. Déverrouiller le pistolet en mettant le verrou de détente à la position appropriée.

	On doit mettre le pistolet à la terre en le tenant contre le bord du contenant de purge métallique pendant qu'il se vide afin d'éviter les risques de décharges électrostatiques, lesquelles peuvent provoquer un incendie.
---	---


12. Appuyer sur la détente en visant le contenant métallique pour purger le solvant et l'air du flexible de vaporisation, jusqu'à ce que le produit de peinture s'écoule librement du pistolet.
13. Verrouiller le pistolet en mettant le verrou de détente à la position appropriée.
14. Arrêter l'appareil.
15. Fixer l'embout et le protège-embout au pistolet, conformément aux directives accompagnant ces derniers.

	RISQUES D'INJECTION. Ne pas vaporiser sans avoir installé le protège-embout. Ne jamais appuyer sur la détente sans avoir mis l'embout en position de vaporisation ou de désobstruction. Toujours enclencher le verrou de détente avant de retirer, de remplacer ou de nettoyer l'embout.
---	---

16. Mettre l'appareil en marche.
17. Augmenter la pression en tournant lentement le bouton de régulation vers la droite, jusqu'à la zone verte, puis effectuer un essai sur un morceau de carton en examinant le jet résultant. Régler la pression de manière à ce que le produit soit parfaitement atomisé.

	Si la pression est trop élevée, l'embout subira une usure prématurée et produira des éclaboussures de surpulvérisation.
---	---

4.6 PROCÉDURE DE DÉCOMPRESSION

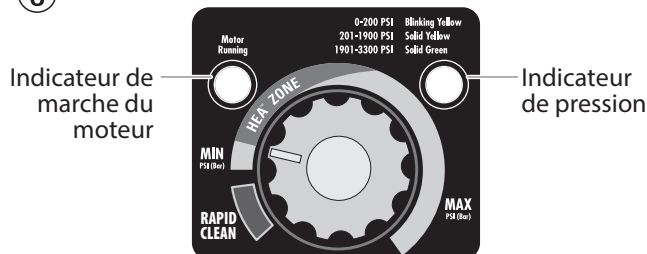
	On doit effectuer la procédure de décompression chaque fois qu'on arrête l'appareil pour en faire la maintenance, en changer les réglages de vaporisation, en remplacer/ nettoyer les embouts ou en effectuer la préparation en vue d'un nettoyage.
---	---

1. Verrouiller le pistolet en mettant le verrou de détente à la position appropriée.
2. Abaisser la soupape PRIME/SPRAY à la position PRIME.
3. Arrêter l'appareil en mettant le commutateur à la position OFF.
4. Tourner le bouton de régulation de la pression vers la gauche, jusqu'à la position OFF, dans la zone noire.
5. Déverrouiller le pistolet en mettant le verrou de détente à la position appropriée.
6. Tenir fermement la partie métallique du pistolet contre le bord d'un contenant métallique afin d'éviter une accumulation d'électricité statique.
7. Appuyer sur la détente du pistolet afin de purger tout l'air restant dans le flexible.
8. Verrouiller le pistolet en mettant le verrou de détente à la position appropriée.

4.7 VOYANTS DU PANNEAU DE COMMANDES

Les voyants du panneau de commandes sont décrits ci-après.

8



VOYANT DE FONCTIONNEMENT DU MOTEUR

Le voyant de fonctionnement du moteur s'allume quand le moteur est mis en marche. Ce voyant est utilisé par les centres de réparation pour dépanner les moteurs défectueux.

VOYANT DE PRESSION

Le voyant de pression montre la pression du pulvérisateur en cours de fonctionnement. Il peut donner trois indications différentes : jaune clignotant, jaune fixe et vert fixe.

Jaune clignotant

Quand le voyant de pression est jaune clignotant, le pulvérisateur travaille à une pression comprise entre 0 et 200 PSI (14 bar). Un voyant de pression jaune clignotant signifie :

- le pulvérisateur est branché et allumé ;
- le pulvérisateur est à la pression d'amorçage (peu ou pas de pression) ;
- la position du robinet PRIME/SPRAY peut être changée en toute sécurité ;
- l'embout de pulvérisation peut être changé en toute sécurité.



Si le voyant de pression commence à clignoter en jaune quand le bouton de commande de pression est réglé sur une pression plus élevée et que le robinet prime/spray est sur la position spray, c'est que l'embout de pulvérisation est usé ou que le pulvérisateur doit être entretenu/réparé.

Jaune fixe

Quand le voyant de pression est jaune fixe, le pulvérisateur travaille à une pression comprise entre 201 PSI (14 bar) et 1 900 PSI (120 bar). Un voyant de pression jaune fixe signifie :

- le pulvérisateur est réglé à la bonne pression pour pulvériser de la teinture, de la laque, du vernis et du multicolore ;

Vert fixe

Quand le voyant de pression est vert fixe, le pulvérisateur travaille à une pression comprise entre 1901 PSI (120 bar) et 3 300 MPa (230 bar). Un voyant de pression vert fixe signifie :

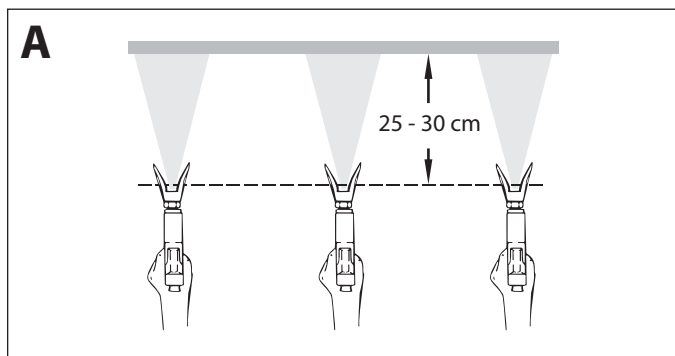
- le pulvérisateur est à la bonne pression pour la pulvérisation de peintures à base d'huile et de latex pour usage domestique ;
- le pulvérisateur fonctionne à plein régime à un réglage élevé de pression.
- si le voyant de pression passe au jaune fixe quand la pression est réglée pour qu'il démarre au vert fixe, il indique l'un des états suivants :
 - usure de l'embout** – pendant une pulvérisation avec du latex ou à haute pression, le voyant passe au jaune fixe. Cela signifie que l'embout est usé et doit être remplacé ;
 - embout trop grand** – si un embout trop grand pour le pulvérisateur est placé sur le pistolet, le voyant de pression passe du vert fixe au jaune fixe ;
 - usure de la partie du fluide** — si le voyant passe au jaune fixe lors de l'utilisation d'un nouvel embout et que la pression est réglée au maximum, il est possible qu'une réparation soit nécessaire (garnitures usées, piston usé, robinet collé ...).

5 TECHNIQUE DE PULVÉRISATION



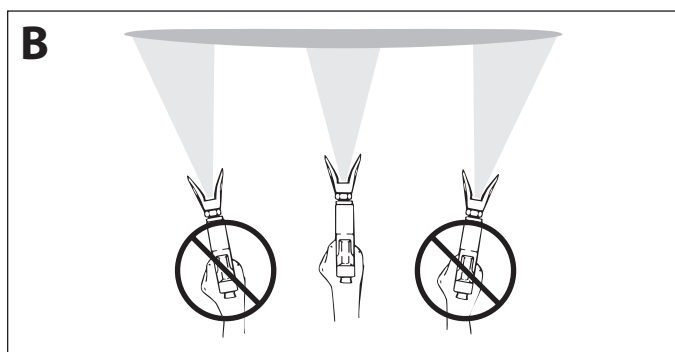
Risque d'injection. Ne pulvérisez pas sans avoir installé au préalable le protège-embout. N'appuyez JAMAIS sur la gâchette du pistolet si l'embout n'est pas sur la position de pulvérisation ou de débouchage. Bloquez toujours la gâchette du pistolet avant d'enlever, de remplacer ou de nettoyer l'embout.

- A)** Le secret pour réaliser un bon travail de peinture est d'appliquer une couche homogène sur toute la surface. Déplacez votre bras à une vitesse constante et maintenez le pistolet de pulvérisation à une distance régulière de la surface. La meilleure distance de pulvérisation entre l'embout et la surface est de 25-30 cm.

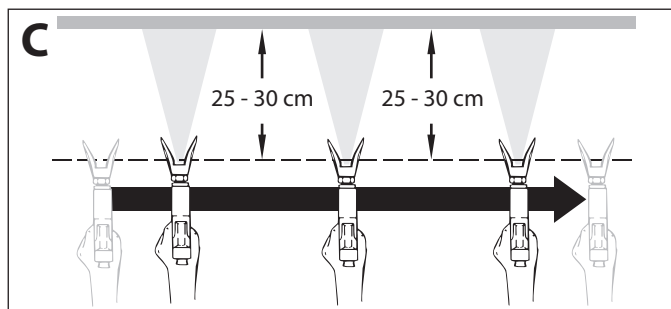


- B)** Maintenez le pistolet de pulvérisation à angle droit par rapport à la surface. Pour ce faire, vous devez faire des allers-retours avec tout le bras au lieu de simplement plier le poignet.

Maintenez le pistolet de pulvérisation perpendiculaire à la surface pour que la couche ne soit pas plus épaisse d'un côté que de l'autre.



- C)** Actionnez le pistolet après avoir commencé le passage. Relâchez la gâchette avant la fin du passage. Le pistolet pulvérisateur doit être en mouvement au moment d'appuyer sur la gâchette ou de la relâcher. Faites chevaucher les passages sur environ 30 %, pour garantir une couche uniforme.



Si les bords de projection sont trop nets ou s'il y a des bandes dans le jet, il faut soit augmenter la pression de projection soit diluer davantage le produit.

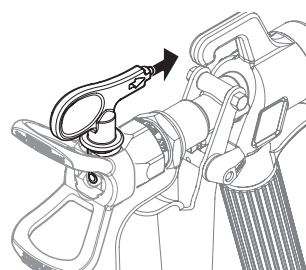
5.1 DÉGAGER LA BUSE DE PULVÉRISATION



Si la répartition de votre pulvérisation devient déformée ou si la pulvérisation cesse complètement au cours de la pulvérisation, suivez ces étapes.

1. Suivre la "Procédure de décompression" à la section Fonctionnement du présent manuel.
2. Si la buse devient bouchée, tournez la poignée de la buse de 180 degrés jusqu'à ce que la flèche sur la poignée soit orientée vers la direction opposée à la pulvérisation et la poignée s'enclenche dans la position inverse (fig. 9).

9





3. Soulever la soupape PRIME/SPRAY à la position SPRAY.
4. Appuyez sur la détente du pistolet une fois dans un contenant de déchets de façon à ce que la pression puisse déboucher la buse. N'utilisez JAMAIS la buse dans la position INVERSE plus longtemps qu'UNE pression sur la détente du pistolet à la fois. Cette procédure peut être répétée jusqu'à ce que la buse soit débouchée.



Le débit passant par la buse de pulvérisation est à une pression très élevée. Le contact avec une quelconque partie du corps peut être dangereux. Ne placez pas un doigt sur la sortie du pistolet. Ne pointez quiconque avec le pistolet. N'utilisez jamais le pulvérisateur sans le dispositif de protection de buse approprié.

6 NETTOYAGE


 <p>Attention</p>	<p>Le vaporisateur, le flexible et le pistolet doivent être nettoyés en profondeur après chaque journée d'utilisation et ce, afin d'éviter les accumulations de produit susceptibles de nuire grandement au rendement de l'appareil.</p>
	<p>Lorsqu'on se sert d'essence minérale ou d'autres solvants pour nettoyer le vaporisateur, le flexible ou le pistolet, on doit régler la pression au minimum et retirer l'embout de la buse du pistolet. L'accumulation d'électricité statique risque de provoquer des incendies en présence de vapeurs inflammables.</p>

6.1 DIRECTIVES PARTICULIÈRES POUR LE NETTOYAGE AU MOYEN DE SOLVANTS INFLAMMABLES

- Purger le pistolet à l'extérieur de préférence, à une distance d'au moins une longueur de flexible de la pompe.
- Si le solvant usé est recueilli dans un contenant métallique de 4 litres (1 gallon), celui-ci doit être inséré dans un second contenant d'au moins 20 litres (5 gallons).
- L'endroit choisi doit être exempt de vapeurs inflammables.
- On doit suivre les directives de nettoyage à la lettre.


6.2 NETTOYAGE DU PULVÉRISATEUR

1. Suivre la Procédure de décompression à la section Fonctionnement du présent manuel.
2. Retirer l'embout et le protège-embout, et les nettoyer au moyen d'une brosse et du solvant approprié.
3. Mettre le flexible d'aspiration dans un contenant de solvant approprié (de l'eau dans le cas de peintures au latex, de l'essence minérale dans le cas de peintures à l'huile, etc.).
4. Mettre le flexible de retour dans un contenant de purge métallique.
5. Abaisser la soupape PRIME/SPRAY à la position PRIME.


	<p>Tenez le tube de retour dans le conteneur de déchets en faisant passer le PRIME / SPRAY soupape de PRIME dans le cas où le pulvérisateur est sous pression.</p>
---	--

6. Régler la pression pour le rapid clean par pulsations en mettant le bouton de régulation à la position RAPID CLEAN.
7. Mettre l'appareil en marche en mettant le commutateur à la position ON.
8. Laisser le solvant circuler dans l'appareil pour évacuer le produit de peinture par le flexible de retour, jusqu'au contenant de purge.
9. Arrêter l'appareil en mettant le commutateur à la position OFF.


10. Soulever la soupape PRIME/SPRAY à la position SPRAY.
11. Mettre l'appareil en marche.

	<p>On doit mettre le pistolet à la terre en le tenant contre le bord du contenant de purge métallique pendant qu'il se vide afin d'éviter les risques de décharges électrostatiques, lesquelles peuvent provoquer un incendie.</p>
---	--



12. Appuyer sur la détente en visant le contenant métallique pour purger le produit du flexible, jusqu'à ce que le solvant s'écoule du pistolet.
13. Continuer d'appuyer sur la détente, en direction du contenant métallique, jusqu'à ce que le solvant évacué soit propre.

	<p>Pour l'entreposage à long terme en milieu froid, remplir tous les composants de l'appareil d'essence minérale.</p> <p>Dans le cas de rangement à court terme après utilisation de peinture au latex, remplir tous les composants d'eau mélangée au protecteur Titan Liquid Shield (se reporter à la section Accessoires du présent manuel pour obtenir le numéro de pièce de ce produit).</p>
---	--

14. Suivre la Procédure de décompression à la section Fonctionnement du présent manuel.
15. Débrancher l'appareil et le ranger dans un endroit propre et sec.

 <p>Attention</p>	<p>Ne pas ranger l'appareil sous pression.</p>
--	--

6.3 NETTOYAGE EXTÉRIEUR DU GROUPE

	<p>Tirer d'abord la fiche de la prise de secteur.</p>
 <p>Attention</p>	<p>Danger de court-circuit par la pénétration d'eau! Ne jamais utiliser un jet ou de la vapeur sous pression pour le nettoyage.</p> <p>Ne pas placer le flexible à haute pression dans du solvant. Essuyer l'extérieur uniquement avec un chiffon imprégné.</p>

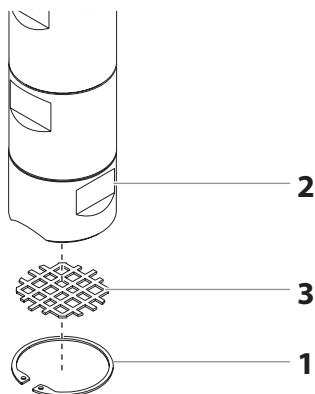
Nettoyer l'extérieur du groupe à l'aide d'un chiffon imbibé du produit de nettoyage adéquat.

6.4 FILTRE D'ASPIRATION

i	Des filtres propres assurent toujours un débit maximum, une pression de projection constante ainsi qu'un fonctionnement correct du matériel.
----------	--

1. La crépine s'obstrue et doit être nettoyée au moins une fois par jour.
2. Retirer l'anneau de retenue (fig. 10, article 1) du logement de clapet de pied (2).
3. Retirer la crépine d'aspiration (3) du logement de clapet de pied (2).
4. Nettoyez-le soigneusement avec le solvant adéquat.

10



6.5 NETTOYAGE DU PISTOLET AIRLESS

i	Nettoyez le pistolet de pulvérisation après chaque utilisation.
----------	---

1. Rincer le pistolet Airless à faible pression de service avec le produit de nettoyage adéquat.
2. Nettoyer soigneusement la buse avec le produit adéquat de manière à éliminer les restes de produit.
3. Nettoyer soigneusement l'extérieur du pistolet.

TAMIS DE CROSSE DANS LE PISTOLET AIRLESS (FIG. 11)

i	Suivez les étapes suivantes si vous utilisez un filtre accessoire (vendu séparément) pour le pistolet de pulvérisation.
----------	---

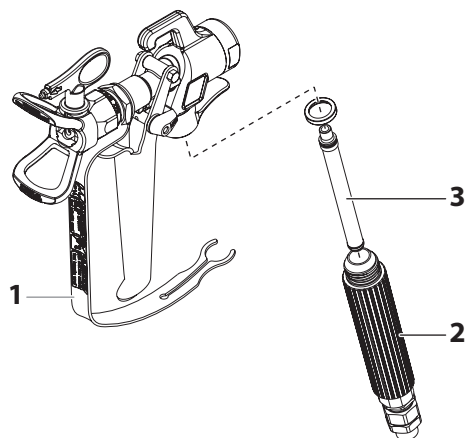
Démontage

1. Tirer la garde de protection (1) fortement vers l'avant.
2. Dévisser la crosse (2) du corps de pistolet. Sortir le tamis (3).
3. Le remplacer s'il est bouché ou défectueux.

Montage

1. Monter le cône plus long du tamis (3) dans le corps de pistolet.
2. Visser la crosse (2) dans le corps et serrer.
3. Emboîter la garde de protection (1).

11



6.3 NETTOYAGE DU FILTRE HAUTE PRESSION



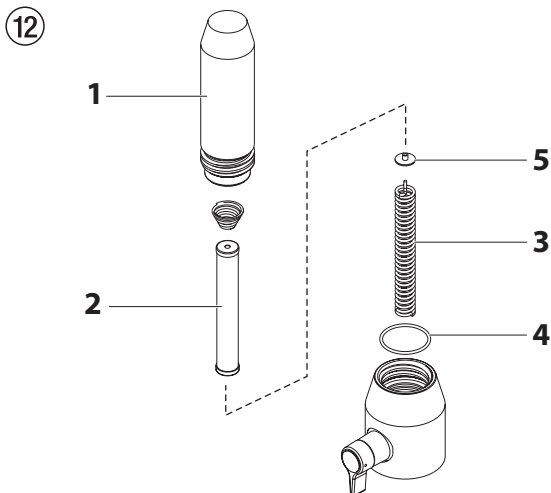
Nettoyer régulièrement la cartouche du filtre. Un filtre haute pression encrassé ou bouché compromet le résultat de projection ou occasionne le bouchage de la buse.

1. Tourner le bouton de réglage de pression à la pression minimale.
2. Abaisser la soupape PRIME/SPRAY à la position PRIME.
3. Arrêter le matériel OFF (ARRET).



Tirer la fiche de la prise de secteur.

4. Dévisser le corps de filtre (fig. 12, pos. 1) à l'aide d'une clé à bande.
5. Dévissez le filtre (2) du collecteur de pompe (3) en tournant dans le sens des aiguilles d'une montre.
6. Nettoyer toutes les pièces avec un produit approprié. Le cas échéant, remplacer la cartouche.
7. Contrôler le joint torique, si nécessaire, le remplacer.
8. Vissez le nouveau filtre ou le filtre nettoyé dans le collecteur de pompe en tournant dans le sens contraire des aiguilles d'une montre.
9. Visser le corps de filtre (1) et serrer à fond avec la clé à bande.



7 DÉPANNAGE

PROBLÈME	CAUSE	SOLUTION
A. L'appareil ne fonctionne pas.	<ol style="list-style-type: none"> L'appareil n'est pas branché. Disjoncteur déclenché. Le réglage de pression est trop bas (le bouton de commande de la pression au réglage minimum n'envoie pas de puissance au vaporisateur). Câblage défectueux ou débranché. Température excessive du moteur. Commutateur MARCHE/ARRÊT défectueux. Transducteur défectueux. 	<ol style="list-style-type: none"> Brancher l'appareil. Réenclencher le disjoncteur. Faire tourner le bouton de commande de la pression pour alimenter l'appareil et accroître la pression. Vérifier ou le faire réparer dans un centre d'entretien agréé par Titan. Laisser le moteur refroidir. Remplacer le commutateur MARCHE/ARRÊT. Remplacer le transducteur.
B. L'appareil ne s'amorce pas.	<ol style="list-style-type: none"> La soupape de PRIME/SPRAY est en position SPRAY. Fuite d'air dans le flexible du siphon/d'aspiration. Le filtre de la pompe et/ou le filtre d'entrée sont bouchés. Le flexible de siphon/d'aspiration est bouché. 	<ol style="list-style-type: none"> Faire tourner la soupape PRIME/SPRAY dans le sens des aiguilles d'une montre en position PRIME. Vérifier le branchement du flexible du siphon/d'aspiration et serrer ou recoller le raccord avec du ruban en PTFE. Démonter le filtre de la pompe et le nettoyer. Démontez le filtre d'entrée et le nettoyer. Démontez le flexible du siphon/d'aspiration et le nettoyer.
C. La pression ne se fait pas dans l'appareil ou la pression n'est pas uniforme.	<ol style="list-style-type: none"> L'embout d'aspiration est usé. L'embout d'aspiration est trop grand. Le bouton de commande de la pression n'est pas correctement fixé. Le filtre de la pompe, le filtre du pistolet ou le filtre d'entrée sont bouchés. Du produit s'échappe du flexible de retour lorsque la soupape de PRIME/SPRAY est en position SPRAY. Fuite d'air dans le flexible du siphon/le flexible d'aspiration. Il y a une fuite de liquide externe. Il y a une fuite interne dans la section des liquides (les tampons graisseurs sont usés et/ou sales, les clapets sont usés). Sièges de soupape usés. Le moteur démarre mais ne tourne pas. 	<ol style="list-style-type: none"> Remplacer l'embout d'aspiration selon les consignes qui accompagnent le pistolet de vaporisation. Remplacer l'embout d'aspiration par un embout à moins large selon les consignes qui accompagnent le pistolet de vaporisation. Tourner le bouton dans le sens des aiguilles d'une montre pour augmenter la pression. Démontez le filtre de la pompe et le nettoyer. Retirez le filtre du pistolet et le nettoyer. Démontez le filtre d'entrée et le nettoyer. Nettoyer ou remplacer la soupape de PRIME/SPRAY. Vérifier le branchement du flexible du siphon/d'aspiration et serrer ou recoller le raccord avec du ruban en PTFE. Vérifier qu'il n'y a pas de fuites externes dans tous les raccords. Resserrer les raccords au besoin. Nettoyer les soupapes et la section des liquides selon la procédure "Maintenance de la Section des Liquides" décrite au chapitre Maintenance de ce manuel. Inverser ou remplacer les sièges de soupape selon la procédure "Maintenance de la Section des Liquides" décrite au chapitre Maintenance de ce manuel. Faire réparer dans un centre d'entretien agréé par Titan.
D. Fuite de liquide dans la partie supérieure de la section des liquides.	<ol style="list-style-type: none"> Les tampons graisseurs supérieurs sont usés. La tige du piston est usée. 	<ol style="list-style-type: none"> Regarnir selon la procédure "Maintenance de la Section des Liquides" décrite au chapitre Maintenance de ce manuel. Remplacer la tige du piston selon la procédure "Maintenance de la Section des Liquides" décrite au chapitre Maintenance de ce manuel.
E. Trop grand afflux au pistolet vaporisateur.	<ol style="list-style-type: none"> Mauvais type de flexible de vaporisation sans air. L'embout d'aspiration est usé ou trop grand. Pression excessive. 	<ol style="list-style-type: none"> Remplacer le flexible par un flexible de vaporisation de peinture sans air en tresse de textile de 1/4" et de 15m de longueur. Remplacer l'embout d'aspiration selon les consignes qui accompagnent le pistolet de vaporisation. Faire tourner le bouton de commande de la pression dans le sens inverse des aiguilles d'une montre pour réduire la pression d'évaporation.
F. Forme de vaporisation incorrecte.	<ol style="list-style-type: none"> L'embout d'aspiration est trop grand pour le produit utilisé. Mauvais réglage de pression. Sortie de liquide insuffisante. Le produit vaporisé est trop visqueux. 	<ol style="list-style-type: none"> Remplacer l'embout d'aspiration par un embout neuf ou plus petit selon les consignes qui accompagnent le pistolet de vaporisation. Faire tourner le bouton de commande de la pression pour régler la pression sur une forme de vaporisation plus adaptée. Nettoyer toutes les crépines et tous les filtres. Ajouter du solvant au produit selon les recommandations du fabricant.
G. L'outil n'est pas alimenté électriquement.	<ol style="list-style-type: none"> Le réglage de la pression est trop faible. Mauvaise tension d'alimentation. 	<ol style="list-style-type: none"> Faire tourner le bouton de commande de la pression dans le sens des aiguilles d'une montre pour augmenter la pression. Rebrancher sur 120 V AC.

8 ENTRETIEN

8.1 ENTRETIEN GÉNÉRAL

L'entretien du groupe doit être effectué une fois par an par le S.A.V. Titan.

1. Contrôler l'état des flexibles de haute pression, du câble d'alimentation et de la fiche de secteur.
2. Contrôler l'usure des clapets d'admission et de refoulement ainsi que des filtres.

8.2 FLEXIBLE À HAUTE PRESSION

Contrôle visuel du tuyau à haute pression (coupures, bosses), spécialement aux environs des raccords, les écrous de fixation doivent tourner librement.



Le risque d'endommagements s'accroît dans le cas des vieux flexibles à haute pression. Titan recommande de remplacer le flexible à haute pression au bout de 6 ans.

9 RÉPARATIONS DU MATÉRIEL



Arrêter le matériel OFF (ARRET).
Avant toute intervention, tirer la fiche de la prise de secteur.



Assurez-vous de vérifier la continuité du terre après le service est effectuée sur tous les composants électriques.

Utilisez un ohmmètre pour déterminer s'il y a une continuité entre les pièces de métal inerte accessibles du produit et la lame de mise à la terre de la fiche de branchement.

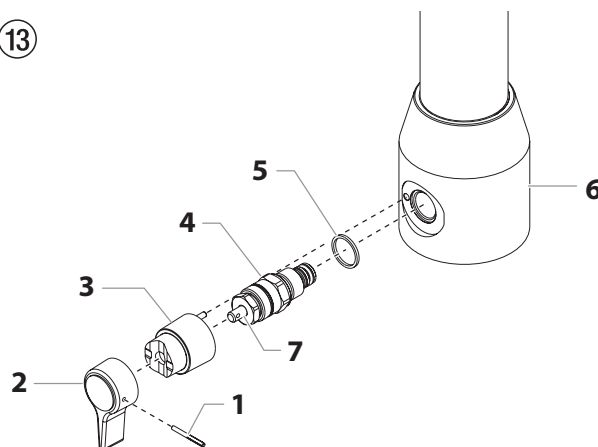
9.1 SOUPAPE DE PRIME/SPRAY



Le logement de soupape (4) ne devrait pas être réparé. Il est toujours préférable de le remplacer par un nouveau logement de soupape s'il est usé.

1. Chasser la goupille cannelée (fig. 13, pos. 1) de la poignée (2) en utilisant un chasse-goupille de 2 mm.
2. Retirer la poignée (2) et l'entraîneur (3).
3. Dévisser le corps de vanne complet (4) avec une clé à molette.
4. S'assurer du positionnement correct du joint (5), puis visser un nouveau corps de vanne complet (4) dans le carter de la pompe à peinture (6). Serrer avec la clé à molette.
5. Aligner l'entraîneur (3) par rapport à l'alésage dans le carter de la pompe à peinture (6). Monter et graisser l'entraîneur.
6. Faire coïncider les alésages de l'axe (7) et de la poignée de vanne (2).
7. Monter la goupille cannelée (1) et tourner la poignée de vanne en position PRIME/SPRAY.

⑬



9.2 CLAPET D'ADMISSION ET DE REFOULEMENT

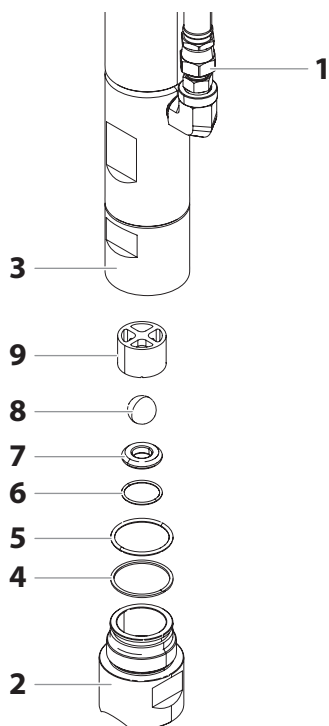
1. Dévisser le 4 vis du couvercle frontal, retirer le couvercle.
2. Mettre le matériel en marche ON (MARCHE) et l'arrêter OFF (ARRET) de façon à ce que le vilebrequin se trouve en position basse.



Danger de contusion – ne pas mettre les doigts ou un outil entre les parties en mouvement.

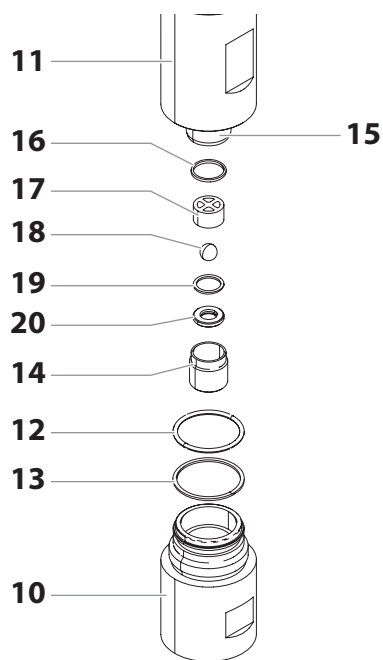
3. Tirer la fiche de la prise de secteur.
4. Enlever l'agrafe au tube d'aspiration, retirer le tuyau de retour.
5. Desserrez et enlevez le tuyau à haute pression (fig. 14, pos. 1) du raccord sur le boîtier supérieur de la section des liquides.
6. Pivoter le matériel de 90° en arrière pour faciliter les travaux sur la pompe de produit.
7. Avec des légers coups de marteau desserrer le corps du clapet d'aspiration (2) du boîtier inférieur (3) et le dévisser avec une clé à fourche.
8. Démontez la bague (4), les joints torique (5) et (6), le siège du clapet d'aspiration (7), la bille (8) et le guide de bille supérieur (9).
9. Nettoyer toutes les pièces avec un produit approprié.
Contrôler le corps du clapet d'aspiration (2), le siège (7), la bille (8) quant à une usure éventuelle; si nécessaire les remplacer. Si le siège (7) est usé d'un côté seulement, le tourner.

14



10. Effectuer le remontage en ordre inverse. Graisser le joint torique (5) et veiller à sa position correcte dans le corps (2).
11. Dévisser le boîtier inférieur (fig. 15, pos.10) avec une clé à fourche en maintenant le boîtier supérieur (11) avec une seconde clé.
12. Retirer la bague (13) et le joint torique (12).
13. Dévisser le corps de clapet de refoulement à l'aide d'une clé pour vis hexagonale de 3/8 pouce du piston (15).
14. Démontez le joint supérieur (16), le guide de bille supérieur (17), la bille (18), la rondelle (19) et le siège (20).
15. Nettoyer toutes les pièces avec un produit approprié.

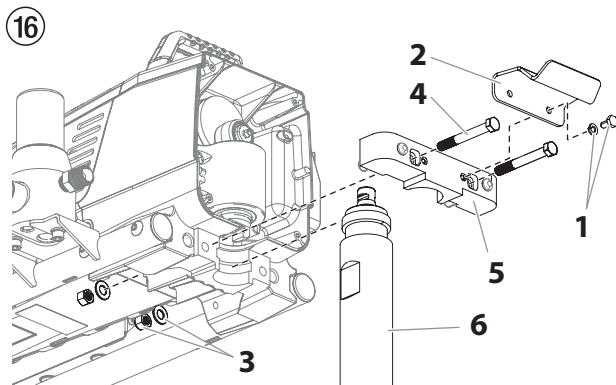
15



- Contrôler le corps du clapet de refoulement (14), le siège (20), la bille (18) et le guide de bille supérieur (17) quant à une usure éventuelle; si nécessaire les remplacer. Si le siège (20) est usé d'un côté seulement, le tourner à l'autre côté.
16. Effectuer le remontage en ordre inverse. Graisser le joint torique (12) et veiller à sa position correcte dans le corps inférieur (10).

9.3 GARNITURES

1. Démontez le corps du clapet d'admission en suivant les pas du chapitre 9.2, page 47.
2. Il n'est pas nécessaire de démonter le clapet de refoulement.
3. Retirez les boulons et les rondelles du support du contenant (fig. 16, article 1). Retirez le support du contenant (2). Dévissez et retirez les deux écrous et les deux rondelles (3) au-dessous du pulvérisateur. Retirez les boulons (4) qui fixent la bague d'arrêt de la section des liquides (5). Cela débloque l'ensemble de la section fluide (6).
4. Faites glisser la section fluide (6) vers l'avant pour l'enlever du bloc de transmission.



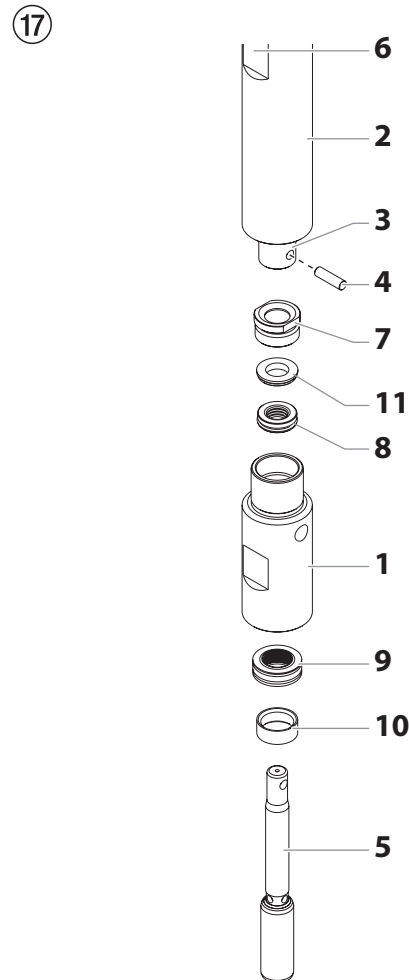
5. Tournez le boîtier supérieur (fig. 17, article 1) dans le sens contraire des aiguilles d'une montre afin de desserrer du cylindre (2).
6. Tirez lentement le boîtier supérieur (1) vers le bas juste assez pour exposer le coulisseau d'extension (3) et l'axe de liaison (4) qui relie le piston (5) au coulisseau d'extension (3).
7. Poussez l'axe de liaison (4) pour le sortir du coulisseau d'extension et du piston et enlevez le piston (5)/boîtier supérieur (1).
8. Placez le cylindre de la pompe à peinture à la verticale sur un étau en le maintenant au niveau de ses parties plates (Fig. 17, pos. 6).

 Attention	<p>Ne pas trop serrer l'étau pour éviter des déformations.</p>
----------------------	--

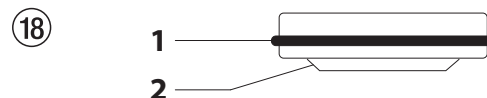
9. À l'aide d'une clé, enlevez l'écrou de guidage (7).
10. Sortez le piston (5) du bas du boîtier supérieur (1).
11. Vérifiez si le piston est usé et remplacez-le, au besoin.

12. Démontez les garnitures supérieure (8) et inférieure (9) du boîtier supérieur (6).

 Attention	<p>Eviter d'endommager le boîtier supérieur.</p>
----------------------	--

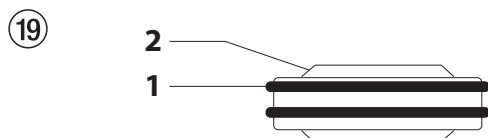


13. Nettoyez le boîtier supérieur. Vérifiez si le boîtier supérieur est endommagé et remplacez-le, au besoin.
14. Graisser les garnitures supérieure (8) et inférieure (9).
15. Monter la garniture supérieure (fig. 18) avec le joint torique (1) et la lèvres en saillie en bas (2) dans le boîtier supérieur (6).



16. Insérez l'entretoise (11) sur le dessus de la garniture supérieure.

17. Vissez l'écrou de guidage (7) dans le boîtier supérieur et serrez-le à un couple de 34 à 41 Nm.
18. Façonnez la garniture inférieure à l'aide du calibre de la garniture inférieure (inclus dans la trousse de remplacement des garnitures).
19. Monter la garniture inférieure (fig. 19) de façon à ce que le côté avec la distance plus faible entre le joint torique (1) et la lèvre (2) en saillie soit en haut.



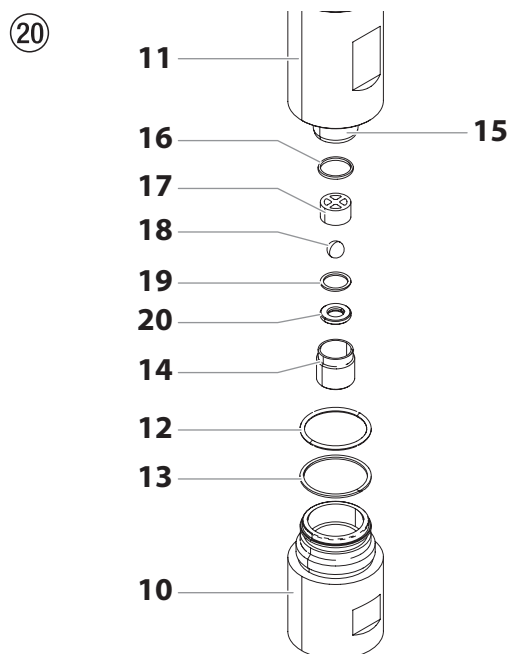
20. Poussez la garniture inférieure (9) en position à l'aide de l'outil de montage de garniture inférieure (obtenez le numéro de pièce de l'outil de montage de la garniture inférieure dans la liste des pièces pour la section des liquides).
21. Placez l'outil d'insertion du piston (inclus dans la trousse de remplacement de la garniture) sur le dessus du piston (5).
22. Graisser le dispositif de montage et le piston (5).
23. Insérez le piston (5) dans la partie inférieure du boîtier supérieur (1), à travers la garniture inférieure (9), la garniture supérieure (8) et l'écrou de guidage (7).



Lorsque vous remplacez la garniture de la section des liquides, assurez-vous que bord surélevé de la partie inférieure de la garniture inférieure est complètement à l'extérieur de la garniture autour du piston après l'insertion du piston.

24. Retirer le dispositif de montage du piston (5).
25. Lubrifiez le filetage du boîtier supérieur (1) de lubrifiant antigrippage. Enlevez le boîtier supérieur de l'étau.
26. Insérez le piston (5) dans le coulisseau d'extension (3). Lorsque le trou de l'axe de liaison du piston s'aligne avec le trou du coulisseau d'extension, insérez l'axe de liaison (4).
27. Vissez le boîtier supérieur (1) dans le cylindre (2), en tournant dans le sens des aiguilles d'une montre.
28. Continuez de tourner le boîtier supérieur dans le sens des aiguilles d'une montre jusqu'à ce qu'il soit au ras du cylindre.
29. Remontez le cylindre (3) sur la fixation de la section fluide dans le bloc de transmission. Veillez à faire glisser le haut de la tige du piston dans la fente en T présente sur le coulisseau.

30. Placez l'ensemble de la section des liquides à sa position sur la section des liquides. Remplacez les boulons qui fixent l'ensemble de la section des liquides au carter d'engrenage. Remplacez les rondelles et vissez les boulons. Remplacez le support du contenant et fixez-le au moyen des boulons.
31. Assurez-vous que le joint torique (fig. 20, pos. 12) et la bague d'appui en PTFE (fig. 20, pos. 13) sont lubrifiés et en place, visser le boîtier inférieur (10) sur le boîtier supérieur (11). En utilisant deux clés, tenez le boîtier supérieur aux surplats de serrage à l'aide d'une clé et serrez le boîtier inférieur de l'autre. Serrez à un couple de 400 +/- 20 pouces-lb.



32. Fixez le tuyau à haute-pression au raccord fileté à l'arrière du boîtier et serrez-le à l'aide d'une clé. Ne pliez pas le tuyau.



Assurez-vous que le tuyau ne touche pas le chariot. Si le tuyau touche le tuyau, repositionnez le raccord fileté en tournant le boîtier supérieur jusqu'à ce que le tuyau ne touche plus le chariot et le raccord fileté est à 45° de l'arrière de l'appareil.

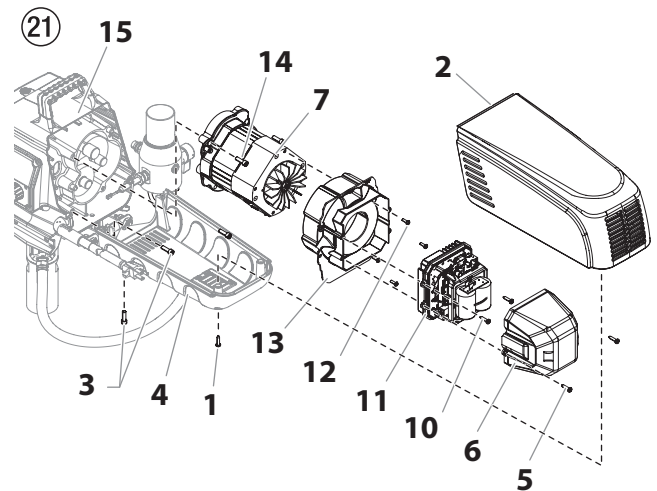
33. Visser le corps du clapet d'aspiration (fig. 14, pos. 2), voir sous chapitre 9.2, point 9.
34. Fixer le tuyau de retour sur le tube d'aspiration à l'aide de l'agrafe.
35. Monter le couvercle frontal.

9.4 REMPLACEMENT DU MOTEUR



La procédure suivante doit être effectuée au centre de service autorisé Titan uniquement.

1. Débranchez l'appareil.
2. Dévissez et retirez les deux vis du capot du moteur (fig. 21, article 1). Retirez le capot (2).
3. Dévissez et retirez les trois vis du ventre pan (3). Retirez le ventre pan (4).
4. Dévissez et retirez les deux vis du carter de moteur (5). Retirez le carter (6).
5. Débranchez tous les fils reliant le moteur (7) au pulvérisateur.
6. Dévissez et retirez les deux vis du contrôleur de moteur (10). Retirez le contrôleur de moteur (11).
7. Dévissez et retirez les quatre vis du joint d'étanchéité du moteur (12). Retirez le joint d'étanchéité (13).
8. Dévissez et retirez les trois vis de montage de moteur (14).
9. Retirez le moteur (7) du carter de boîte d'engrenages (15).
10. Une fois le moteur retiré, vérifiez si les roues d'engrenage dans le carter de boîte d'engrenages sont endommagées ou très usées. Remplacez les roues d'engrenage au besoin.
11. Placez le nouveau moteur (7) dans le carter de boîte d'engrenages (15).
12. Fixez solidement le moteur (7) au moyen des trois vis de montage du moteur (14).
13. Raccordez les fils reliant le pulvérisateur au moteur (consultez le schéma de connexion, section 11.7).
14. Placez le joint d'étanchéité (13) au bout de l'ensemble de moteur (7). Fixez-le solidement au moyen des quatre vis de joint d'étanchéité (12).
15. Remplacez le contrôleur de moteur (11) derrière le joint d'étanchéité (13). Fixez-le solidement au moyen des deux vis du contrôleur de moteur (10).
16. Raccordez tous les fils reliant le moteur (7) au pulvérisateur.
17. Remettez le carter de moteur (6) sur le contrôleur de moteur (11). Fixez-le solidement au moyen des deux vis du carter de moteur (5).
18. Remettez en place le ventre pan (4) et fixez-le solidement au moyen des trois vis de ventre pan (3).
19. Placez le capot du moteur (2) sur l'ensemble de moteur (7).
20. Fixez solidement le capot du moteur (2) au moyen des deux vis du capot du moteur (1).



9.5 REMPLACEMENT DES ROUES D'ENGRENAGE



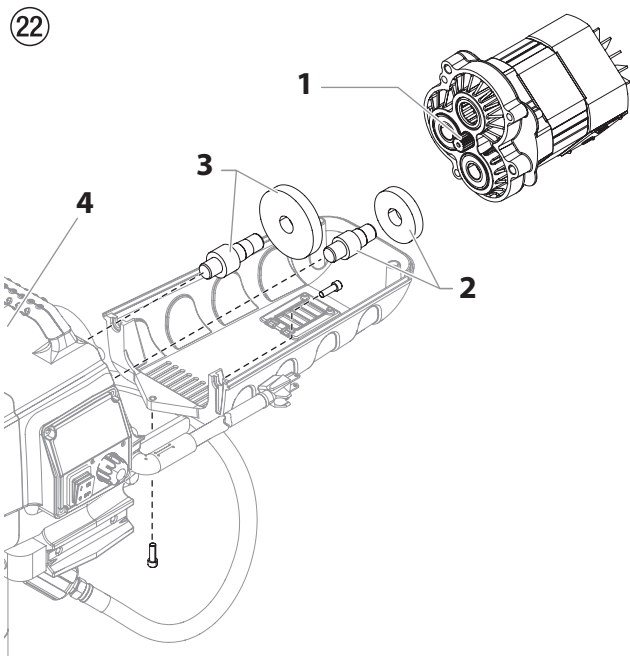
La procédure suivante doit être effectuée au centre de service autorisé Titan uniquement.

1. Suivez les étapes 1 à 9 sous la rubrique Remplacement de l'ensemble de moteur (section 9.4) pour retirer le moteur et le panneau de commandes.
2. Vérifiez si l'engrenage d'armature (fig. 22, article 1) au bout du moteur est endommagé ou très usé. S'il est complètement usé, remplacez l'ensemble de moteur.
3. Retirez les engrenages du 1er (2) et du 2e (3) étage et vérifiez s'ils sont endommagés ou très usés. Remplacez-les au besoin.
4. Vérifiez si l'ensemble de boîte d'engrenages avant (4) est endommagé ou très usé. Le cas échéant, remplacez l'ensemble de boîte d'engrenages avant.



Nettoyez la cavité de la boîte d'engrenages et la remplissez de Lubriplate (no de pièce 314-171) jusqu'à la face arrière de chacun des engrenages.

5. Remplacez le moteur dans le carter de boîte d'engrenages (4).
6. Suivez les étapes 11 à 20 sous la rubrique Remplacement de l'ensemble de moteur (section 9.4) pour remplacer le moteur.

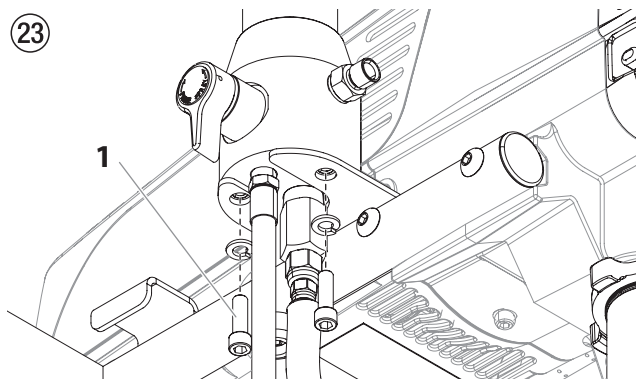


9.6 REMPLACEMENT DU TRANSDUCTEUR



La procédure suivante doit être effectuée au centre de service autorisé Titan uniquement.

1. Débranchez l'appareil.
2. Dévissez et retirez les deux boulons de l'ensemble de filtre (fig. 23, article 1). Retirez l'ensemble de filtre du chariot.



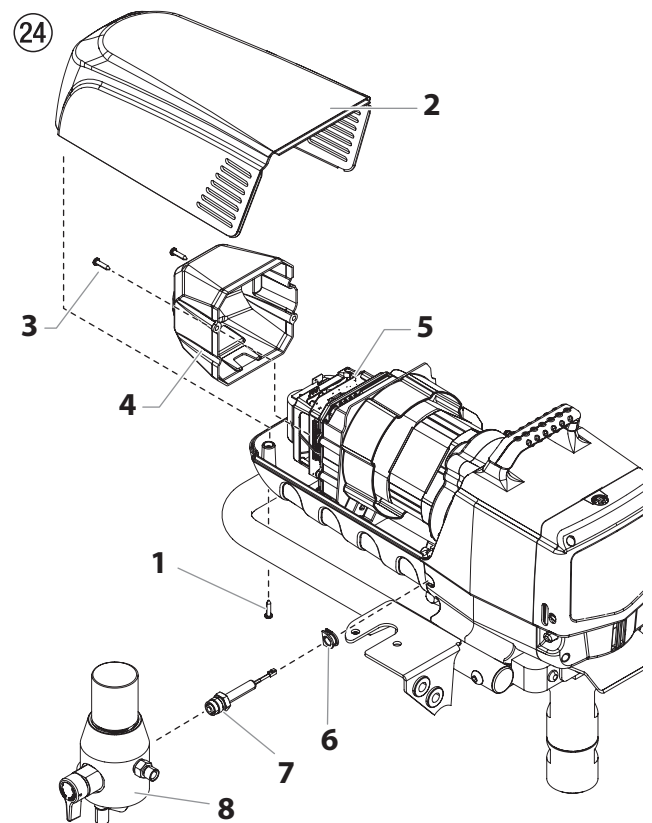
3. Dévissez et retirez les deux vis du capot du moteur (fig. 21, article 1). Retirez le capot du moteur (2).
4. Dévissez et retirez les deux vis du carter de moteur (3). Retirez le carter du moteur (4).
5. Débranchez le câble du transducteur du contrôleur de moteur (5).
6. Retirez l'anneau isolant (6) de la plaque d'assemblage et faites-le glisser sur l'arbre du transducteur (7) de sorte qu'il ne touche plus la plaque d'assemblage.

7. À l'aide d'une clé plate, dévissez et retirez le transducteur (7) du logement de filtre (8). Dévissez délicatement le câble du transducteur à travers la plaque d'assemblage.
8. Retirez l'anneau isolant (6) du vieux transducteur (7) et placez-le sur le nouveau.
9. Vissez le câble du nouveau transducteur à travers la plaque d'assemblage et raccordez-le au contrôleur de moteur (5).
10. Vissez le nouveau transducteur (7) dans le logement de filtre (8) et fixez-le solidement à l'aide d'une clé plate.

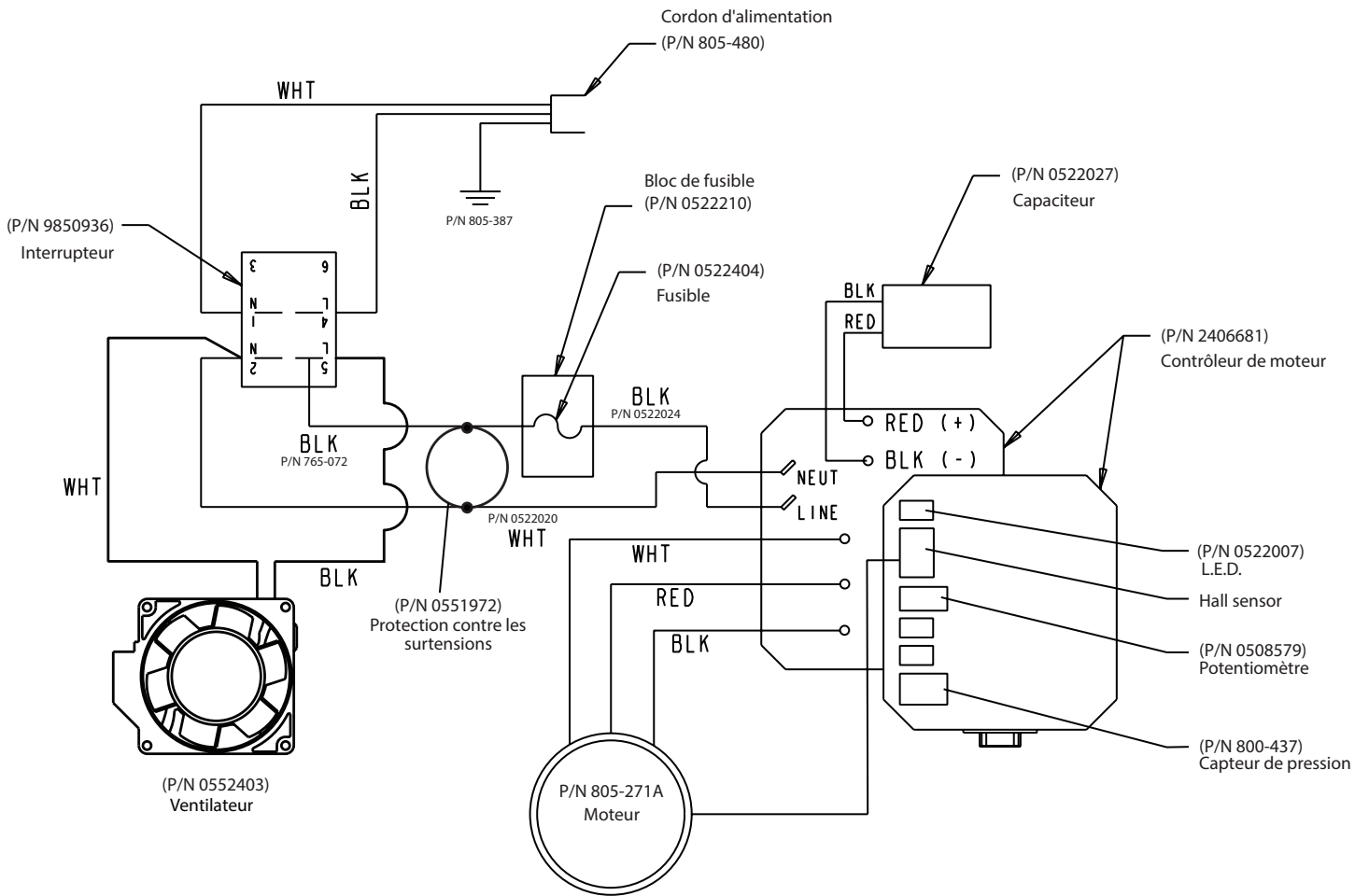


Assurez-vous que le joint torique du transducteur soit bien en place avant de visser le transducteur dans le logement de filtre.

11. Poussez l'anneau isolant (6) dans la plaque d'assemblage.
12. Branchez le câble du transducteur au contrôleur de moteur (consultez le schéma de connexion, section 9.7).
13. Remplacez le carter de moteur (4) sur le contrôleur de moteur (5). Fixez-le solidement au moyen des deux vis du carter de moteur (3).
14. Remettez le capot du moteur (2) sur l'ensemble de moteur.
15. Fixez solidement le capot du moteur (2) au moyen des deux vis du capot du moteur (1).
16. Remplacez l'ensemble de filtre dans le chariot.



9.7 SCHÉMA ÉLECTRIQUE IMPACT 1040T



GARANTIE

Titan Tool, Inc. ("Titan") garantit qu'au moment de la livraison à l'acheteur initial ("Utilisateur"), l'appareil couvert par la présente garantie sera exempt de défauts de matériaux et de fabrication. Exception faite de toute garantie particulière ou limitée et de toute extension de garantie publiées par Titan, la responsabilité de celui-ci se limite, en vertu de la présente garantie, au remplacement ou à la réparation sans frais des pièces dont le caractère défectueux aura été démontré de manière satisfaisante pour Titan, dans un délai de douze (12) mois après la date d'achat par l'Utilisateur. Cette garantie ne sera applicable que si l'appareil a été installé et utilisé conformément aux recommandations et directives de Titan.

Cette garantie ne sera pas applicable dans les cas d'endommagement ou d'usure dus à l'abrasion, la corrosion, un mauvais usage, la négligence, un accident, une installation incorrecte, un remplacement par des composants non fournis par Titan ou toute autre intervention non autorisée de nature à nuire au fonctionnement normal de l'appareil.

Les pièces défectueuses devront être envoyées à un centre de service / vente Titan autorisé. Les frais de transport couvrant y compris le retour à l'usine, seront, le cas échéant, prépayés par l'Utilisateur. Après réparation ou remplacement, les pièces seront renvoyées à ce dernier par transport prépayé.

AUCUNE AUTRE GARANTIE EXPRESSE N'EST ACCORDÉE. TITAN REJETTE TOUTE AUTRE GARANTIE IMPLICITE Y COMPRIS, NOTAMMENT, LES GARANTIES DE QUALITÉ MARCHANDE ET DE COMPATIBILITÉ AVEC UN USAGE PARTICULIER, DANS LES LIMITES PERMISES PAR LA LOI.

LA DURÉE DES GARANTIES IMPLICITES NE POUVANT FAIRE L'OBJET D'UNE RENONCIATION SE LIMITE À LA PÉRIODE INDIQUÉE DANS LA GARANTIE EXPRESSE.

LA RESPONSABILITÉ DE TITAN NE SAURAIT EN AUCUN CAS ÊTRE ENGAGÉE POUR UN MONTANT SUPÉRIEUR À CELUI DU PRIX D'ACHAT. TITAN EXCLUT TOUTE RESPONSABILITÉ RELATIVE AUX DOMMAGES INDIRECTS, ACCESSOIRES OU PARTICULIERS, DANS LES LIMITES PRÉVUES PAR LA LOI.

TITAN NE DONNE AUCUNE GARANTIE ET DÉCLINE TOUTE GARANTIE IMPLICITE DE QUALITÉ MARCHANDE ET DE COMPATIBILITÉ AVEC UN USAGE PARTICULIER EN CE QUI CONCERNE LES ACCESSOIRES, L'APPAREIL, LES MATÉRIAUX OU LES COMPOSANTS VENDUS MAIS NON FABRIQUÉS PAR TITAN. CES DERNIERS ÉLÉMENTS, VENDUS MAIS NON FABRIQUÉS PAR TITAN (MOTEURS À ESSENCE, COMMULATEURS, FLEXIBLES, ETC.), SONT SOUMIS, LE CAS ÉCHÉANT, À LA GARANTIE DU FABRICANT. TITAN S'ENGAGE À PORTER ASSISTANCE AUX ACHETEURS, DANS LES LIMITES DU RAISONNABLE, POUR LA CONSTITUTION DE RÉCLAMATIONS RELATIVES AU NON RESPECT DE CES GARANTIES.

¡Advertencia!

¡Atención: Peligro de lesiones por inyección!

Los equipos Airless producen unas presiones de pulverización extremadamente altas.



1

¡Nunca poner en contacto con el chorro de pulverización ni los dedos, ni las manos ni otras partes del cuerpo!

No dirigir nunca la pistola de pulverización hacia sí mismo, en dirección a otras personas y a animales.

No utilizar jamás la pistola sin el protector contra contactos.

No trate una lesión por pulverización como una lesión de corte inocua. En caso de lesiones cutáneas por contacto con material de recubrimiento o disolvente, consultar inmediatamente a un médico para un tratamiento rápido y correcto. Informe al médico sobre el material de recubrimiento o disolvente utilizado.

2

Antes de toda puesta en funcionamiento se tendrán en cuenta los puntos siguientes; conforme a las instrucciones de uso:

1. No utilizar equipo defectuoso.
2. Asegurar la pistola mediante la palanca de seguridad que se encuentra en la misma.
3. Asegurar la puesta a tierra.
4. Verificar la presión de servicio admitida por la manguera de alta presión y la pistola de pulverización.
5. Controlar la hermeticidad de todos los elementos de unión.

3

Respetar estrictamente las instrucciones dadas para la limpieza y el mantenimiento del equipo que deben efectuarse con toda regularidad.

Antes de cualquier trabajo en el equipo y durante todas las pausas de trabajo, respetar sin falta las reglas siguientes:

1. Descargar la presión de la pistola y la manguera.
2. Asegurar la pistola mediante la palanca de seguridad que se encuentra en la misma.
3. Desconectar el aparato.

¡Preste atención a la seguridad!

1	NORMAS DE SEGURIDAD PARA LA PULVERIZACIÓN AIRLESS	56	7	PROCEDIMIENTO EN CASO DE AVERÍAS	71
1.1	Explicación de los símbolos utilizados	56	8	MANTENIMIENTO	72
1.2	Instrucciones para la conexión a tierra	56	8.1	Mantenimiento general	72
1.3	Peligros para la seguridad	57	8.2	Manguera de alta presión	72
2	SINOPSIS DE APLICACIÓN	60	9	REPARACIONES EN EL APARATO	72
2.1	Datos técnicos	60	9.1	Válvula de PRIME/SPRAY	72
3	DESCRIPCIÓN DEL APARATO	60	9.2	Válvula de admisión y escape	73
3.1	Proceso Airless	60	9.3	Volver a colocar la empaquetadura de la sección de líquido	74
3.2	Funcionamiento del aparato	60	9.4	Reemplazo del motor	76
3.3	Diagrama del sistema	61	9.5	Reemplazo de los engranajes	76
4	OPERACIÓN	62	9.6	Reemplazo del transductor	77
4.1	Utilización del seguro del gatillo de la pistola	62	9.7	Esquema eléctrico Impact 1040T	78
4.2	Configuración	62	GARANTÍA		79
4.3	Preparación de un rociador nuevo	63	ACCESORIOS Y PIEZAS DE RECAMBIO		80
4.4	Preparación para pintar	64	Lista de piezas de recambio conjunto principal	80/81	
4.5	Rociado	65	Lista de piezas de recambio zona de pintura	82/83	
4.6	Procedimiento para aliviar la presión	65	Lista de piezas de recambio del conjunto del mecanismo impulsor	84/85	
4.7	Indicadores del panel de control	66	Lista de piezas de recambio del tapón de filtración	86/87	
5	TÉCNICA DE PULVERIZACIÓN	67	Lista de piezas de recambio del carro alto	88/89	
5.1	Limpieza de la boquilla pulverizadora	67	ACCESORIOS		90/91
6	LIMPIEZA	68			
6.1	Instrucciones de limpieza especiales para usar con solventes inflamables	68			
6.2	Limpieza del rociador	68			
6.3	Limpieza del aparato por fuera	68			
6.4	Filtro de aspiración	69			
6.5	Limpieza de la pistola de pulverización Airless	69			
6.6	Limpieza del filtro de alta presión	70			

1 NORMAS DE SEGURIDAD PARA LA PULVERIZACIÓN AIRLESS

1.1 EXPLICACIÓN DE LOS SÍMBOLOS UTILIZADOS

El presente manual contiene información que deberá leer y comprender bien antes de utilizar el equipo. Cuando llegue a una sección que tenga uno de los siguientes símbolos, preste especial atención y asegúrese de que se cumplen las medidas de seguridad.



→ Este símbolo indica un peligro potencial que puede provocar lesiones graves e incluso la muerte. A continuación se incluye información importante de seguridad.



→ Este símbolo indica un peligro potencial para usted o para el equipo. A continuación se incluye información importante para evitar daños al equipo o evitar situaciones que podrían provocar lesiones de segundo orden.



→ Peligro de lesiones por inyección



→ Peligro de incendio



→ Peligro de explosión



→ Mezclas de vapores tóxicos y/o inflamables. Peligro de intoxicación y quemadura



→ Peligro de descarga eléctrica



→ Las notas añaden información importante a la que debe prestarse especial atención.

1.2 INSTRUCCIONES PARA LA CONEXIÓN A TIERRA

Este producto debe conectarse a tierra. En caso de un cortocircuito eléctrico, la conexión a tierra reduce el riesgo de choque eléctrico al aportar un alambre de escape para la corriente eléctrica. Este producto está equipado con un cable que tiene alambre a tierra con un enchufe a tierra adecuado. Debe usarse el enchufe para conectar a un receptáculo que esté debidamente instalado y conectado a tierra en conformidad con los códigos y las ordenanzas locales.



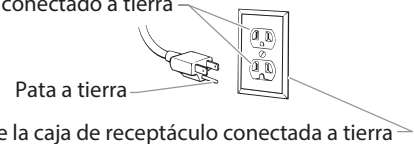
ADVERTENCIA - La instalación incorrecta del enchufe a tierra puede ocasionar un riesgo de choque eléctrico.

Si es necesario reparar o cambiar el cable o el enchufe, no conecte el cable verde a tierra a ninguno de las terminales de espiga plana. El cable con aislamiento de color verde por fuera con o sin rayas amarillas es el alambre a tierra y debe conectarse a la espiga a tierra.

Consulte a un electricista o técnico de servicio capacitado si las instrucciones para la conexión a tierra no se entienden claramente o si tiene dudas en cuanto a que el producto esté debidamente conectado a tierra. No modifique el enchufe que se incluye. Si el enchufe no encaja en el receptáculo, pida a un electricista capacitado que instale un receptáculo adecuado.

Este producto es para utilizarse en un circuito de 120 voltios nominales y tiene un enchufe a tierra que tiene un aspecto similar al ilustrado más abajo. Asegúrese que el producto esté conectado a un tomacorriente que tenga la misma configuración que el enchufe. No deben utilizarse adaptadores para este producto.

Receptáculo conectado a tierra



Cuando se usa el rociador con un generador o línea o sin control, uncontrolled line voltage, se recomienda que Titan's "Line Surge Protector" (P/N 800-935) se utiliza.

1.3 PELIGROS PARA LA SEGURIDAD



PELIGRO: LESIÓN CAUSADA POR INYECCIÓN

La corriente de líquido a alta presión que produce este equipo puede perforar la piel y tejidos interiores, pudiendo provocar graves lesiones e incluso hay posibilidad de amputación.

No trate una lesión por pulverización como una lesión de corte inocua. En caso de lesiones cutáneas por contacto con material de recubrimiento o disolvente, consultar inmediatamente a un médico para un tratamiento rápido y correcto. Informe al médico sobre el material de recubrimiento o disolvente utilizado.

PREVENCIÓN:

- No apunte con la pistola ni pulverice sobre ninguna persona ni animal.
- Mantenga las manos y el resto del cuerpo lejos de la descarga. Por ejemplo, no trate de detener fugas con ninguna parte de su cuerpo.
- NUNCA ponga la mano frente a la pistola. Los guantes no protegen contra una lesión por inyección.
- SIEMPRE mantenga la protección de la boquilla en su sitio al rociar. La protección de la boquilla sirve principalmente de dispositivo de advertencia.
- Utilice solamente la boquilla especificada por el fabricante.
- Tenga cuidado al limpiar y cambiar las boquillas. Si la boquilla se atasca durante la pulverización, ponga SIEMPRE el seguro del gatillo de la pistola, apague la bomba y libere toda la presión antes de reparar, limpiar el protector o la boquilla o cambiar la boquilla. La presión no se libera apagando el motor. Para liberar la presión hay que poner la manija de la válvula PRIME/SPRAY en PRIME. Consulte el Procedimiento de Alivio de Presión que se describe en el manual de la bomba.
- No deje el aparato con corriente ni con presión cuando nadie esté pendiente de ella. Cuando no utilice el aparato, apáguelo y libere la presión siguiendo las instrucciones del fabricante.
- La pulverización a alta presión puede inyectar toxinas en el cuerpo y producir daños graves en el mismo. En caso de que esto ocurra, visite a un médico inmediatamente.

- Compruebe las mangueras y las piezas en busca de daños; una fuga puede inyectar material en la piel. Inspeccione la manguera antes de cada uso. Sustituya las mangueras o las piezas dañadas. Por razones de funcionamiento, seguridad y duración, emplear únicamente mangueras de alta presión originales de TITAN.
- Este sistema es capaz de producir 3300 PSI / 22,8 MPa Bar. Utilice solamente piezas de repuesto o accesorios especificados por el fabricante y con una capacidad nominal de 3300 PSI como mínimo. Entre ellos se incluyen boquillas pulverizadoras, protectores para las boquillas, pistolas, alargadores, racores y mangueras.
- Ponga siempre el seguro del gatillo cuando no esté pulverizando. Verifique que el seguro del gatillo funciona correctamente.
- Antes de utilizar el aparato, verifique que todas las conexiones son seguras.
- Aprenda a detener el aparato y a liberar la presión rápidamente. Familiarícese a conciencia con los controles. La presión no se libera apagando el motor. Para liberar la presión hay que poner la manija de la válvula PRIME/SPRAY en PRIME. Consulte el Procedimiento de Alivio de Presión que se describe en el manual de la bomba.
- Quite siempre la boquilla pulverizadora antes de enjuagar o limpiar el sistema.



NOTA PARA EL MÉDICO: La inyección a través de la piel es una lesión traumática. Es importante tratar la lesión tan pronto sea posible. NO retrase el tratamiento para investigar la toxicidad. La toxicidad es un factor a considerar con ciertos revestimientos inyectados directamente en la corriente sanguínea. Puede ser aconsejable consultar con un cirujano plástico o un cirujano especialista en reconstrucción de las manos.



PELIGRO: MANGUERA DE ALTA PRESIÓN

En la manguera de pintura pueden aparecer fugas a causa del desgaste, de retorcimientos o de un mal uso. Una fuga puede proyectar material hacia la piel. Revise siempre la manguera antes de usarla.

PREVENCIÓN:

- Evitar doblar mucho o plegar la manguera de alta presión, radio de flexión mínimo, aprox. 20 cm.
- No pasar por encima de la manguera de alta presión, protegerla contra contactos con objetos agudos y cantos cortantes.
- Sustituir inmediatamente la manguera de alta presión dañada.
- ¡No reparar nunca una manguera de alta presión defectuosa!
- La carga electrostática de la pistola de pulverización y la manguera de alta presión se descarga a través de la manguera de alta presión. Por esa razón, la resistencia eléctrica entre los empalmes de la manguera de alta presión debe ser igual o menor a un Megaohm.
- Por razones de funcionamiento, seguridad y duración, emplear únicamente mangueras de alta presión originales de Titan.
- Cada vez que vaya a utilizar el equipo, compruebe antes todas las mangueras en busca de cortes, fugas, abrasión o bultos en la cubierta. Compruebe el movimiento de los acoplamientos y si están dañados. Sustituya inmediatamente una manguera si descubre alguna de estas anomalías. No repare nunca una manguera de pintar. Sustitúyala por una manguera a alta presión puesta a tierra.
- Asegúrese de que la manguera de aire y las mangueras de pulverización estén dispuestos de forma que minimicen el peligro de deslizamientos, tropiezos y caídas.



PELIGRO: EXPLOSIONES E INCENDIOS



Los vapores inflamables, como los vapores de las pinturas y los solventes, pueden encenderse o explotar en el área de trabajo.

PREVENCIÓN:

- No pulverice materiales inflamables ni combustibles cerca de llamas desnudas, pilotos o fuentes de ignición como objetos calientes, cigarrillos, motores, equipos eléctricos o electrodomésticos. Evite producir chispas al conectar y desconectar los cables de alimentación.
- Tenga muchísimo cuidado al usar materiales cuyo punto de ignición sea inferior a 38 °C (100 °F). El punto de inflamación es la temperatura a la que un fluido puede producir vapor suficiente como para incendiarse.
- La pintura o disolvente que pase por el equipo puede producir electricidad estática. La electricidad estática supone un riesgo de incendio o explosión en presencia de emanaciones de pintura o disolvente. Todas las piezas del sistema pulverizador, incluyendo la bomba, el conjunto de mangueras, la pistola pulverizadora y los objetos dentro y alrededor de la zona de pulverización se conectarán a tierra para protegerlos frente a descargas estáticas y chispas. Utilice solamente mangueras para pulverizadores de pintura airless (sin aire) de alta presión conductoras o con toma a tierra especificadas por el fabricante.
- Compruebe que todos los recipientes y sistemas de recogida están conectados a tierra para evitar descargas eléctricas.
- Conecte a una salida con toma a tierra y utilice cables alargadores puestos a tierra. No utilice un adaptador de 3 a 2.
- No utilice pintura o disolvente que contenga hidrocarburos halogenados, como cloro, fungicida blanqueador, cloruro de metileno y tricloroetano. No son compatibles con el aluminio. Póngase en contacto con el proveedor del material para conocer su compatibilidad con el aluminio.
- Mantenga la zona de pulverización bien ventilada. Asegúrese de que circula aire fresco por la zona para evitar que se acumulen vapores inflamables en el aire de la zona de pulverización. Ponga el conjunto de la bomba en una zona bien ventilada. No pulverice el conjunto de la bomba.
- No fume en la zona de pulverización.
- No encienda interruptores de luces, motores ni productos similares que puedan producir chispas en la zona de pulverización.
- Mantenga la zona limpia y despejada de botes de pintura y disolventes, trapos y otros materiales inflamables.

- Infórmese del contenido de la pintura y de los disolventes que pulverice. Lea las hojas de datos sobre seguridad de los materiales (SDS) y las etiquetas en los botes de pintura y disolvente. Siga las instrucciones de seguridad del fabricante de la pintura y del disolvente.
- Coloque la bomba al menos a 7,62 metros (25 pies) del objeto que se va a pulverizar en una zona bien ventilada (añada más manguera si fuera necesario). Los vapores inflamables suelen ser más pesados que el aire. La zona del suelo debe estar muy bien ventilada. La bomba contiene piezas que forman arcos que producen chispas y pueden inflamar los vapores.
- El plástico puede producir chispas estáticas. Nunca utilice plástico para cercar la zona de pulverización. No utilice cortinas de plástico mientras pulveriza material inflamable.
- Deberá contar con equipos extintores de incendios que funcionen correctamente.



PELIGRO: VAPORES PELIGROSOS

Las pinturas, disolventes, y otros materiales pueden ser perjudiciales si se inhalan o entran en contacto con el cuerpo. Los vapores pueden provocar náuseas intensas, desmayos o envenenamiento.

PREVENCIÓN:

- Ponerse una careta respiratoria durante los trabajos de pulverización. Lea todas las instrucciones facilitadas con la mascarilla para asegurarse de que proporciona toda la protección necesaria.
- Se deben respetar todas las normas de seguridad con respecto a la protección contra vapores dañinos.
- Lleve gafas protectoras.
- Para proteger la piel se necesitan especialmente ropa protectora, guantes y, si es necesario, crema cutánea de protección. Prestar atención a las prescripciones de los fabricantes con respecto a materiales de recubrimiento, disolventes y agentes limpiadores durante la preparación, el tratamiento y la limpieza de los aparatos.



PELIGRO: GENERAL

Pueden producirse lesiones graves o daños materiales.

PREVENCIÓN:

- Cuando pinte, lleve siempre guantes, protección para los ojos, ropa y un respirador o máscara adecuados.
- Nunca utilice el aparato ni pulverice cerca de niños. Mantenga el equipo alejado de los niños en todo momento.
- No se estire demasiado ni se apoye sobre un soporte inestable. Mantenga los pies bien apoyados y el equilibrio en todo momento.
- No se distraiga y tenga cuidado con lo que hace.
- No utilice el aparato si está fatigado o se encuentra bajo la influencia del alcohol o de las drogas.
- No retuerza ni doble la manguera en exceso. En la manguera airless pueden aparecer fugas a causa del desgaste, de retorcimientos o de un mal uso. Una fuga puede inyectar material en la piel.
- No exponga la manguera a temperaturas o presiones que superen las especificadas por el fabricante.
- No utilice la manguera como elemento de fuerza para tirar del equipo o levantarlo.
- Utilice la presión más baja posible para enjuagar el equipo.
- Cumpla todos los reglamentos locales, estatales y nacionales pertinentes relativos a ventilación, prevención de incendios y funcionamiento.
- Las normas sobre seguridad del gobierno de los Estados Unidos se han adoptado al amparo de la Ley de salud y seguridad ocupacional (OSHA). Deben consultarse tres normas, particularmente la sección 1910 de las Normas generales y la sección 1926 de las Normas sobre construcción.
- Cada vez que vaya a utilizar el equipo, compruebe antes todas las mangueras en busca de cortes, fugas, abrasión o bultos en la cubierta. Compruebe el movimiento de los acoplamientos y si están dañados. Sustituya inmediatamente una manguera si descubre alguna de estas anomalías. No repare nunca una manguera de pintura. Sustitúyala por una manguera conductora a alta presión.
- No pulverice al aire libre si hace viento.
- Desenchufe siempre el cable antes de trabajar en el equipo.

2 SINOPSIS DE APLICACIÓN



Este pulverizador sin aire es una herramienta mecánica de precisión que se utiliza para pulverizar diversos tipos de materiales, lo que incluye productos texturados de una composición premezclada o en polvo.

Lea y siga este manual de instrucciones detenidamente para conocer las instrucciones de operación, de mantenimiento y la información de seguridad correspondiente.

2.1 DATOS TÉCNICOS

Capacidad (GPM)	1.15 (4.35 LPM)
Max presión de pulverización	1 pistola - 0.034" 2 pistola - 0.021"
Max presión de pulverización	3300 PSI (22.8 MPa)
Suministro eléctrico	2.5 HP motor DC de Brushless, 100~120V AC, 50/60Hz, 15A
Peso	44.5 kg
Cable de alimentación, dimensión máxima	300' (91.4 m)
Requisitos eléctricos de generador	5000 vatios, 20 A, generador de onda sinusoidal, función de inactividad desactivada

3 DESCRIPCIÓN DEL APARATO

3.1 PROCESO AIRLESS

Los campos de aplicación principales son el recubrimiento con capas gruesas de material de recubrimiento de alta viscosidad de grandes superficies y con alta aplicación de material.

Una bomba de pistón aspira el material de recubrimiento y lo transporta a presión a la boquilla. El material de recubrimiento se pulveriza impulsado a través de la boquilla a una presión de hasta 3300 PSI (22,8 MPa). Esta alta presión produce una pulverización micrométrica del material de recubrimiento.

Dado que en este sistema no se utiliza aire, este proceso se denomina proceso AIRLESS (exento de aire).

Esta forma de pulverizar reúne las ventajas de la más fina pulverización, un funcionamiento pobre en neblinas y una superficie lisa y sin burbujas. Junto a estas ventajas se pueden mencionar la velocidad de trabajo y la gran manejabilidad.

3.2 FUNCIONAMIENTO DEL APARATO

A continuación la estructuración técnica a grandes rasgos, a fin de una mejor comprensión del funcionamiento.

Titan Impact 1040T son equipos de pulverización de alta presión con accionamiento eléctrico.

Un mecanismo de engranajes transfiere la fuerza motriz a un eje de cigüeñal, que mueve arriba y abajo el pistón de la bomba de transporte de material.

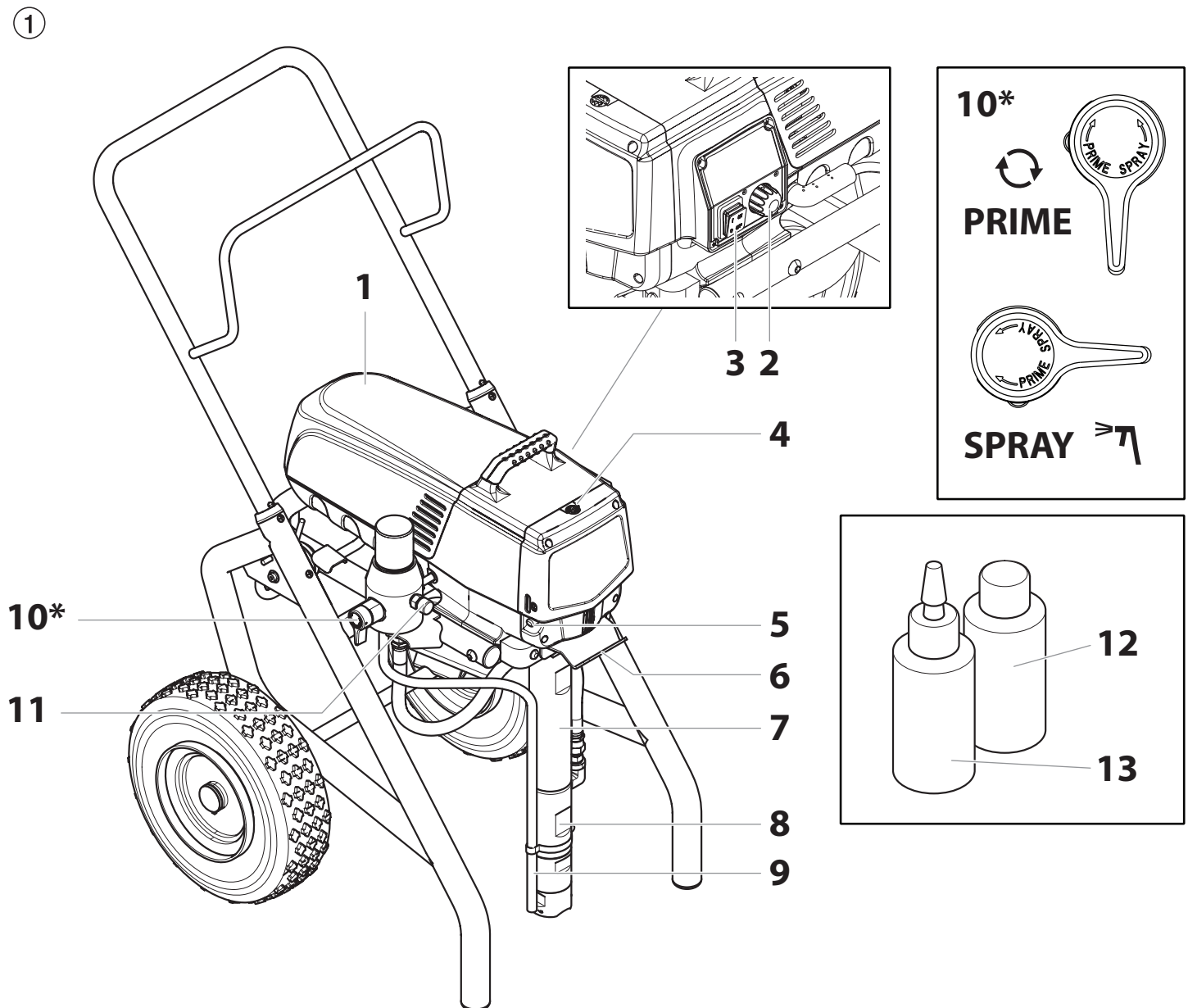
La válvula de admisión abre automáticamente mediante el movimiento ascendente del pistón. La válvula de escape abre durante el movimiento descendente del pistón.

El material de recubrimiento se transporta a alta presión a través de la manguera de alta presión a la pistola de pulverización. El material de recubrimiento se pulveriza al salir por la boquilla.

El regulador de presión regula la cantidad de transporte y la presión de servicio del material de recubrimiento.

3.3 DIAGRAMA DEL SISTEMA

- | | |
|---|-----------------------------|
| 1. Motor | 8. Manguera de sifón |
| 2. Perilla de control de presión | 9. Tubo de retorno |
| 3. Interruptor de ENCENDIDO/ APAGADO (ON/OFF) | 10. Válvula de PRIME/SPRAY |
| 4. Tapa de lubricador | 11. Conector de la manguera |
| 5. Botón de lubricador | 12. Liquid Shield™ (118 ml) |
| 6. Soporte del cubo | 13. Piston Lube™ (118 ml) |
| 7. Sección de líquido | |



4 OPERACIÓN



Este equipo produce un flujo constante a presiones extremadamente altas. Lea detalladamente las advertencias de la sección Precauciones de seguridad en la parte delantera de este manual antes de operar este equipo.

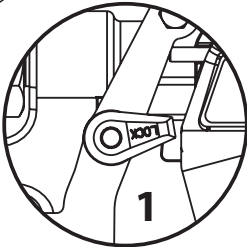
4.1 UTILIZACIÓN DEL SEGURO DEL GATILLO DE LA PISTOLA



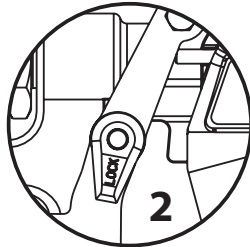
Ponga siempre el seguro del gatillo cuando no esté usando la pistola.

1. Para bloquear el gatillo, gire el seguro hacia atrás hasta su tope.
2. Para desbloquear el gatillo, gire el seguro del gatillo hacia delante hasta su posición vertical.

2



**GATILLO BLOQUEADO
(LA PISTOLA NO
PULVERIZA)**



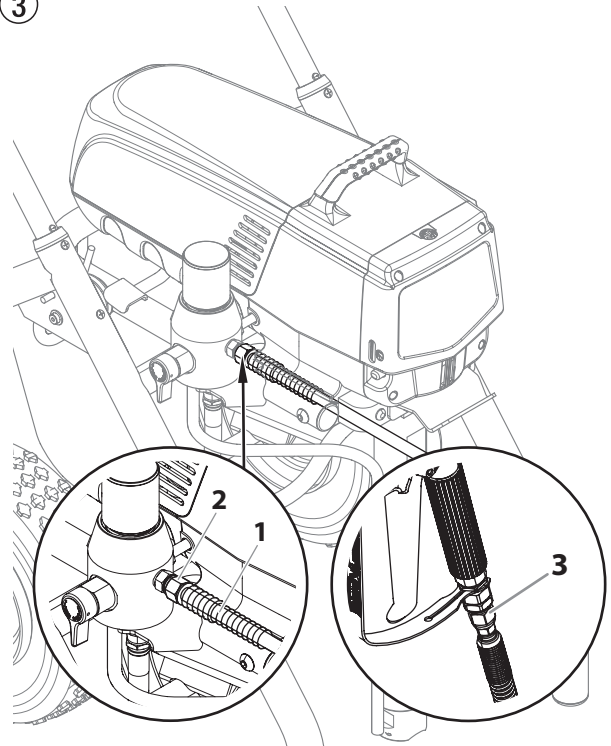
**GATILLO DESBLOQUEADO
(LA PISTOLA SÍ
PULVERIZA)**

4.2 CONFIGURACIÓN

Realice el procedimiento a continuación antes de enchufar el cable de alimentación de una unidad eléctrica.

1. Fíjese que el juego de succión y la manguera de retorno estén conectados y seguros.
2. Conecte un mínimo de 50 pies de manguera rociadora (fig. 3, pos. 1) sin aire de nilón a la conector de la salida (2) de unidad. Apriete firmemente.
3. Conecte la pistola rociadora (3) sin aire a la manguera rociadora. Con dos llaves (una en la pistola y otra en la manguera), apriete firmemente.

3

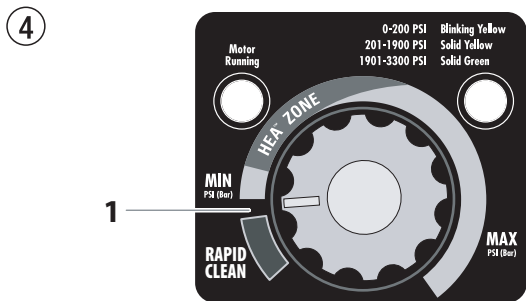


Todavía no conecte la punta a la pistola rociadora. Quite la punta si ya estaba conectada.

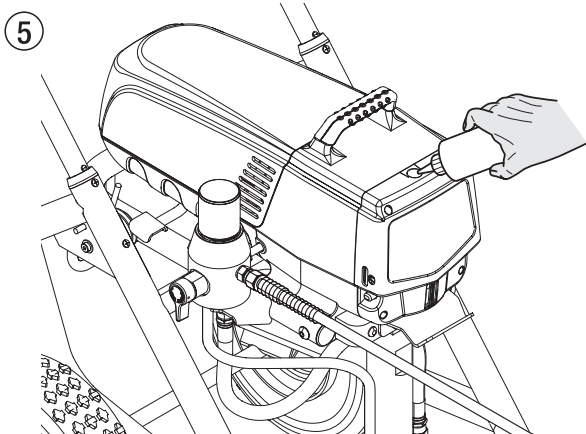


Asegúrese de que todas las mangueras y pistolas pulverizadoras sin aire estén conectadas a tierra y estén clasificadas en o sobre el margen máximo de presión de funcionamiento del pulverizador sin aire.

- Fíjese que la perilla de control de presión esté en la posición OFF en la zona negra (fig. 4, pos. 1).



- Fíjese que el interruptor de ON/OFF esté en la posición OFF.
- Quite la tapa del lubricador usando un destornillador de punta plana. Llene el lubricador con una oz de lubricante de sello de pistón (Piston Lube). Coloque la tapa.



- Presione el botón e 2-5 veces para preparar el lubricador. para lubricar la sección de fluidos. Presione una vez para utilizarlo durante 8 horas para lubricar la sección de líquidos.

 Atención	<p>Nunca haga funcionar la unidad durante más de 10 segundos sin líquido. La operación de esta unidad sin líquido ocasionará un desgaste innecesario de las empaquetaduras.</p>
---------------------	---

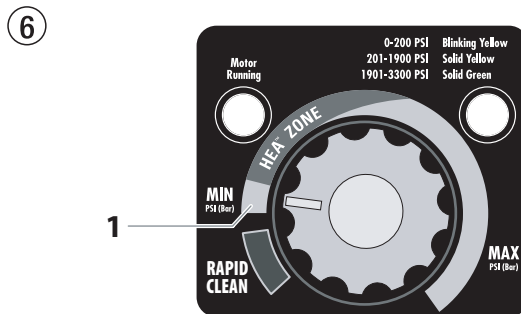
- Revise que el servicio eléctrico sea de 120V, 15 amperios, como mínimo.
- Enchufe el cable de alimentación en un tomacorriente con conexión a tierra apropiada a una distancia mínima de 25 pies del área de rociado.

 Atención	<p>Use siempre un cable de extensión de tres conductores, calibre 12 como mínimo, con enchufe conectado a tierra. Nunca retire la tercera pata ni use un adaptador.</p>
---------------------	---

4.3 PREPARACIÓN DE UN ROCIADOR NUEVO



	<p>Si esta unidad es nueva, se envía con un líquido de prueba en la sección de líquidos para evitar la corrosión durante el envío y almacenamiento. Este líquido debe retirarse completamente del sistema con alcoholes minerales antes de comenzar a rociar.</p>
	<p>Mantenga siempre el seguro del gatillo de la pistola rociadora en la posición bloqueada mientras prepara el sistema.</p>

- Coloque el tubo de succión en un recipiente de alcoholes minerales.
- Coloque la manguera de retorno en un recipiente metálico para desecho.
- Fije la presión al mínimo girando la perilla de control de presión al ajuste "MIN" (fig. 6, pos. 1).




- Mueva hacia abajo la válvula PRIME/SPRAY a la posición PRIME.
- Encienda la unidad moviendo el interruptor de ON/OFF a la posición ON.
- Deje funcionar el rociador entre 15 y 20 segundos para eliminar el resto del líquido de prueba a través de la manguera de retorno hacia el recipiente de desecho.
- Apague la unidad moviendo el interruptor de ON/OFF (ENCENDIDO/APAGADO) a la posición OFF (APAGADO).


4.4 PREPARACIÓN PARA PINTAR

	<p>Antes de pintar, es importante revisar que el líquido del sistema sea compatible con la pintura que va a utilizar.</p> <p>Los líquidos y pinturas incompatibles pueden causar que se atasquen cerradas las válvulas, lo cual puede necesitar que se desmonte y limpie la sección de líquidos del rociador.</p>
	<p>Mantenga siempre el seguro del gatillo de la pistola rociadora en la posición bloqueada mientras prepara el sistema.</p>

1. Coloque el tubo de succión en un recipiente con el solvente apropiado. Los solventes apropiados son, por ejemplo, agua para pintura látex o alcoholes minerales para las pinturas a base de aceite.
2. Coloque la manguera de retorno en un recipiente metálico para desecho.
3. Fije la presión al mínimo girando la perilla de control de presión al ajuste "MIN".
4. Mueva hacia abajo la válvula PRIME/SPRAY a la posición PRIME.


	<p>Sujete el tubo de retorno en el contenedor de residuos al mover el PRIME / SPRAY válvula de PRIME en caso de que el pulverizador es presurizado.</p>
---	---

5. Encienda la unidad moviendo el interruptor de ON/OFF a la posición ON.
6. Deje funcionar el rociador entre 15 y 30 segundos para eliminar el resto del solvente anterior a través de la manguera de retorno hacia el recipiente metálico de desecho.
7. Apague la unidad moviendo el interruptor de ON/OFF a la posición OFF.

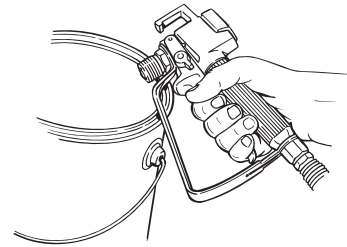
	<p>Fíjese que la pistola rociadora no tenga instalada una punta o protección de punta.</p>
---	--

8. Mueva hacia arriba la válvula PRIME/SPRAY a la posición SPRAY.
9. Encienda la unidad.


10. Desbloquee la pistola girando el seguro del gatillo de la pistola a la posición liberada.

	<p>Conecte a tierra la pistola apoyándola contra el borde del recipiente de metal mientras elimina el líquido. De lo contrario puede provocar la descarga de electricidad estática, lo cual a su vez puede ocasionar un incendio.</p>
---	---

7



11. Apriete el gatillo en el recipiente metálico para desecho hasta que el solvente usado salga y comience a salir solvente fresco de la pistola.
12. Bloquee la pistola mueva el seguro del gatillo de la pistola a la posición bloqueada.
13. Deje hacia abajo la pistola y aumente la presión girando la perilla de control de presión lentamente en el sentido horario hacia la zona verde.
14. Revise todo el sistema en busca de fugas. Si ocurren fugas, siga el "Procedimiento para aliviar la presión" en este manual antes de apretar conectores o mangueras.
15. Siga el "Procedimiento para aliviar la presión" de este manual antes de cambiar de solvente a pintura.

	<p>No deje de seguir el procedimiento para aliviar la presión cuando apague la unidad por cualquier motivo, incluso el servicio o ajuste de alguna pieza del sistema de rociado, cambio o limpieza de las puntas rociadoras o la preparación para la limpieza.</p>
---	--

4.5 ROCIADO

1. Coloque el tubo de succión en un recipiente de pintura.
2. Coloque la manguera de retorno en un recipiente metálico para desecho.
3. Fije la presión al mínimo girando la perilla de control de presión al ajuste "MIN".
4. Mueva hacia abajo la válvula PRIME/SPRAY a la posición PRIME.
5. Encienda la unidad moviendo el interruptor de ON/OFF a la posición ON.
6. Deje funcionar el rociador hasta que empiece a pasar pintura a través de la manguera de retorno hacia el recipiente metálico de desecho.
7. Apague la unidad moviendo el interruptor de ON/OFF a la posición OFF.
8. Retire la manguera de retorno del recipiente para desecho y colóquela en la posición de operación, sobre el recipiente de pintura.
9. Mueva hacia arriba la válvula PRIME/SPRAY a la posición SPRAY.
10. Encienda la unidad.
11. Desbloquee la pistola girando el seguro del gatillo de la pistola a la posición liberada.



Conecte a tierra la pistola apoyándola contra el borde del recipiente de metal mientras elimina el líquido. De lo contrario puede provocar la descarga de electricidad estática, lo cual a su vez puede ocasionar un incendio.

12. Apriete el gatillo en el recipiente metálico para desecho hasta que todo el aire y el solvente usado salga de la manguera rociadora y comience a salir pintura libremente de la pistola.
13. Bloquee la pistola mueva el seguro del gatillo de la pistola a la posición bloqueada.
14. Apague la unidad.
15. Coloque la protección y la punta en la pistola según se indica en los manuales de las mismas.



POSIBLE PELIGRO DE INYECCIÓN. No rocíe sin la protección de la punta en su lugar. Nunca apriete el gatillo de la pistola a menos que la punta esté en la posición de rociado o desatasco. Siempre coloque el seguro del gatillo de la pistola antes de retirar, reemplazar o limpiar la punta.

16. Encienda la unidad.
17. Aumente la presión girando la perilla de control de presión lentamente en el sentido horario hacia la zona verde y pruebe el patrón de rociado en un trozo de cartón. Ajuste la perilla de control de presión hasta que la pistola rocíe en forma completamente atomizada.



Si se sube la presión más de lo necesario para atomizar la pintura causará el desgaste prematuro de la punta y rociará en exceso.

4.6 PROCEDIMIENTO PARA ALIVIAR LA PRESIÓN



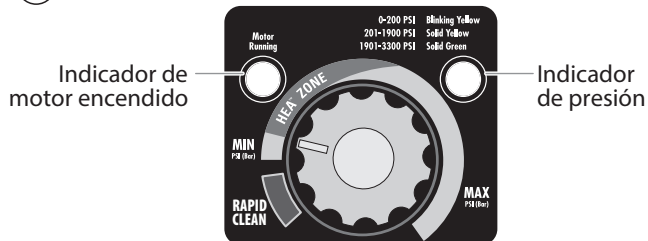
No deje de seguir el procedimiento para aliviar la presión cuando apague la unidad por cualquier motivo, incluso el servicio o ajuste de alguna pieza del sistema de rociado, cambio o limpieza de las puntas rociadoras o la preparación para la limpieza.

1. Bloquee la pistola mueva el seguro del gatillo de la pistola a la posición bloqueada.
2. Mueva hacia abajo la válvula PRIME/SPRAY a la posición PRIME.
3. Apague la unidad moviendo el interruptor de ON/OFF a la posición OFF.
4. Desbloquee la pistola girando el seguro del gatillo de la pistola a la posición liberada.
5. Desbloquee la pistola girando el seguro del gatillo de la pistola a la posición liberada.
6. Sostenga firmemente la parte metálica de la pistola contra el lado de un recipiente metálico para conectar a tierra la pistola y evitar la acumulación de electricidad estática.
7. Accione el gatillo para aliviar toda presión que haya quedado en la manguera.
8. Bloquee la pistola mueva el seguro del gatillo de la pistola a la posición bloqueada.

4.7 INDICADORES DEL PANEL DE CONTROL

A continuación se muestra una descripción de los indicadores del panel de control.

8



INDICADOR DE FUNCIONAMIENTO DEL MOTOR

El indicador de funcionamiento del motor se enciende al poner en marcha el motor. Este indicador se utiliza en los centros de servicio para solucionar problemas del motor.

INDICADOR DE PRESIÓN

El indicador de presión muestra la presión de funcionamiento actual del pulverizador. Muestra tres indicaciones diferentes: amarillo intermitente, amarillo fijo y verde fijo.

Amarillo intermitente

Cuando el indicador de presión parpadea en amarillo, el pulverizador está funcionando entre 0 y 200 PSI (14 bar). Un indicador de presión amarillo intermitente indica que:

- El pulverizador está enchufado y encendido ("ON")
- El pulverizador está funcionando con una presión de cebado (con muy poca presión o sin presión)
- Es seguro cambiar la válvula PRIME/SPRAY (cebar/pulverizar) de posición
- Es seguro cambiar o reemplazar la boquilla pulverizadora



Si el indicador de presión comienza a parpadear en amarillo al poner el mando de control en una presión mayor y la válvula PRIME/SPRAY está en la posición SPRAY, o la boquilla está desgasta o el pulverizador necesita servicio/repación.

Amarillo fijo

Cuando el indicador de presión está amarillo fijo, el pulverizador está funcionando entre 201 PSI (14 bar) y 1900 PSI (120 bar). Un indicador de presión amarillo fijo indica que:

- La presión del pulverizador está configurada correctamente para pulverizar tinte, laca y barniz y para pintado multicolor

Verde fijo

Cuando el indicador de presión está verde fijo, el pulverizador está funcionando entre 1901 PSI (120 bar) y 3300 PSI (230 bar). Un indicador de presión en verde fijo indica que:

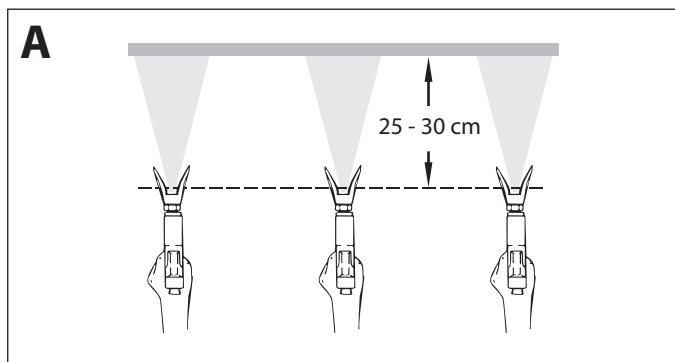
- La presión del pulverizador está configurada correctamente para pulverizar pinturas con base de aceite y pinturas de látex para viviendas
- El pulverizador está funcionando al máximo rendimiento con una configuración de alta presión
- Si el indicador de presión se pone amarillo fijo cuando la presión está configurada de modo que tenía que empezar en verde fijo, eso indica uno de los siguientes factores:
 - Indicador de desgaste de la boquilla:** se pone amarillo al pulverizar con látex o a altas presiones. Esto significa que la boquilla está desgastada y debe reemplazarse.
 - Boquilla demasiado grande:** cuando una boquilla es demasiado grande para el pulverizador colocado en la pistola, el indicador de presión pasa de verde a amarillo.
 - Desgaste de la parte del líquido:** si aparece un indicador de presión amarillo fijo al usar una boquilla nueva y poner la presión al máximo, puede que sea necesaria una revisión (empaquetaduras desgastadas, pistón desgastado, válvula atascada, etc.).

5 TÉCNICA DE PULVERIZACIÓN



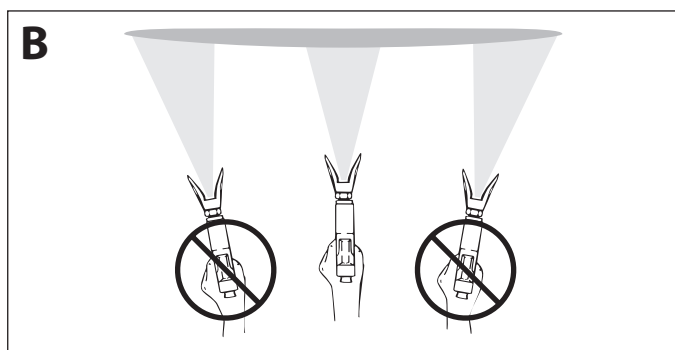
Peligro de inyección. No pulverice sin la protección de la punta en su lugar. NUNCA apriete el gatillo de la pistola a menos que la punta esté completamente girada en la posición de pulverización o de destrabado. SIEMPRE bloquee el gatillo de la pistola antes de retirar, reemplazar o limpiar la punta.

- A)** La clave para un buen trabajo de pintura es recubrir de forma pareja toda una superficie. Mueva su brazo a una velocidad constante y mantenga la pistola pulverizadora a una distancia constante de la superficie. La mejor distancia para pulverizar es de 25 a 30 cm entre la punta de pulverización y la superficie.

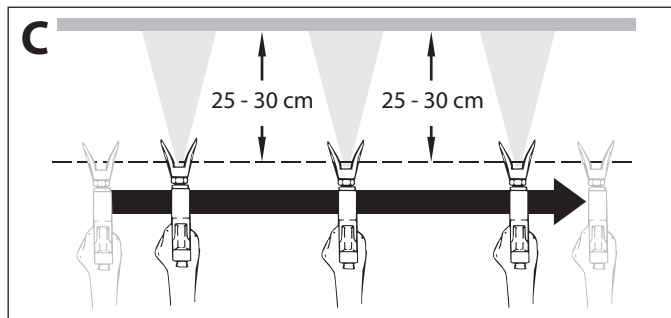


- B)** Mantenga la pistola pulverizadora en ángulos rectos respecto de la superficie. Esto quiere decir que debe mover todo el brazo de un lado a otro y no solo mover la muñeca.

Mantenga la pistola pulverizadora de forma perpendicular a la superficie, de lo contrario un extremo del patrón será más grueso que el otro.



- C)** Apriete el gatillo después de comenzar el trazo. Suelte el gatillo antes de terminar el trazo. La pistola pulverizadora debería estar en movimiento cuando se aprieta y suelta el gatillo. Superponga cada trazo cerca de 30%. Esto garantizará un recubrimiento pareja.



Al presentarse zonas con bordes y franjas en el chorro de pulverizado – aumentar la presión de servicio o diluir el material de recubrimiento.

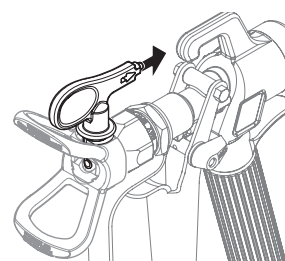
5.1 LIMPIEZA DE LA BOQUILLA PULVERIZADORA



Si el patrón de pulverización se distorsiona o se detiene completamente durante la pulverización, siga estos pasos.

1. Siga el “Procedimiento de alivio de presión” de la sección Operación de este manual.
2. Si la boquilla se obstruye, gire la manilla de la boquilla en 180° hasta que la flecha en la manilla esté orientada opuesta a la dirección de pulverización y la manilla haga clic en posición inversa (fig. 9).

9





3. Mueva hacia arriba la válvula PRIME/SPRAY a la posición SPRAY.
4. Apriete el gatillo de la pistola una vez en un recipiente de desechos para que la presión pueda despejar la obstrucción. NUNCA use la boquilla en posición inversa por más de UNA vez que apriete el gatillo. Este procedimiento se puede repetir hasta que la boquilla esté libre de obstrucciones.



El flujo de la boquilla pulverizadora tiene una presión muy alta. El contacto con cualquier parte del cuerpo puede ser peligroso. No coloque el dedo en la salida de la pistola. No apunte la pistola hacia otra persona. Nunca opere la pistola pulverizadora sin la protección adecuada de la boquilla.

6 LIMPIEZA


 <p>Atención</p>	<p>Deben limpiarse el rociador, la manguera y la pistola totalmente después del uso diario. De lo contrario, se permite la acumulación de material, afectando seriamente el rendimiento de la unidad.</p>
	<p>Siempre rocíe con la presión mínima y sin la boquilla de la pistola al utilizar alcoholes minerales u otros solventes para limpiar el rociador, la manguera o la pistola. La acumulación de electricidad estática puede producir un incendio o explosión en la presencia de vapores inflamables.</p>

6.1 INSTRUCCIONES DE LIMPIEZA ESPECIALES PARA USAR CON SOLVENTES INFLAMABLES

- Siempre lave la pistola rociadora preferiblemente afuera y alejada por lo menos un largo de manguera de la bomba rociadora.
- Si recoge los solventes lavados en un recipiente metálico de un galón, colóquelo en un recipiente vacío de cinco galones, luego lave los solventes.
- El área debe estar libre de vapores inflamables.
- Siga todas las instrucciones de limpieza.


6.2 LIMPIEZA DE ROCIADOR

1. Siga el "Procedimiento de alivio de presión" de la sección Operación de este manual.
2. Retire la punta de la pistola y la protección y limpie con un cepillo usando el solvente adecuado.
3. Coloque el tubo de succión en un recipiente con el solvente apropiado. Los solventes apropiados son, por ejemplo, agua para pintura látex o alcoholes minerales para las pinturas a base de aceite.
4. Coloque la manguera de retorno en un recipiente metálico para desecho.
5. Mueva hacia abajo la válvula PRIME/SPRAY a su posición PRIME.


	<p>Sujete el tubo de retorno en el contenedor de residuos al mover el PRIME / SPRAY válvula de PRIME en caso de que el pulverizador es presurizado.</p>
---	---

6. Fije la presión en RAPID CLEAN girando la perilla de control de presión a su posición RAPID CLEAN.
7. Encienda la unidad moviendo el interruptor de ON/OFF a la posición ON.
8. Deje circular el solvente a través de la unidad y purgue la pintura de la manguera de retorno hacia el recipiente metálico para desecho.


9. Apague la unidad moviendo el interruptor de ON/OFF a la posición OFF.
10. Mueva hacia arriba la válvula PRIME/SPRAY a su posición SPRAY.
11. Encienda la unidad.

	<p>Conecte a tierra la pistola apoyándola contra el borde del recipiente de metal mientras elimina el líquido. De lo contrario puede provocar la descarga de electricidad estática, lo cual a su vez puede ocasionar un incendio.</p>
---	---



12. Dispare la pistola en el recipiente metálico para desecho hasta que se haya purgado toda la pintura de la manguera y esté saliendo solvente de la pistola.
13. Continúe apretando el gatillo de la pistola rociadora en el recipiente de desecho hasta que el solvente que salga por la pistola esté sin pintura.

	<p>Para el almacenamiento a largo plazo o en temperaturas frías, haga pasar alcoholes minerales a través del sistema completo.</p> <p>Para el almacenamiento a corto plazo cuando esté usando pintura látex, haga pasar agua mezclada con Titan Liquid Shield a través del sistema completo (para ver el número de pieza, consulte la sección Accesorios de este manual).</p>
---	---

14. Siga el "Procedimiento de alivio de presión" de la sección Operación de este manual.
15. Desenchufe la unidad y almacénela en un área limpia y seca.

 <p>Atención</p>	<p>No almacene la unidad bajo presión.</p>
--	--

6.1 LIMPIEZA DEL APARATO POR FUERA

	<p>Extraer primero la clavija de red de la caja de enchufe.</p>
 <p>Atención</p>	<p>¡Peligro de cortocircuito mediante agua infiltrada. No pulverizar nunca el aparato con detergente o vapor detergente de alta presión.</p> <p>No sumergir la manguera de alta presión en disolventes. Limpiar el exterior únicamente con un paño empapado.</p>

Restregar el aparato por fuera con un paño empapado con agente limpiador adecuado.

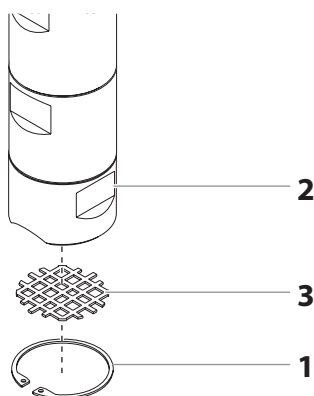
6.4 FILTRO DE ASPIRACIÓN



Un filtro de aspiración limpio garantiza siempre máxima cantidad transportada, presión de pulverización constante y un correcto funcionamiento del aparato.

1. La rejilla de entrada se obstruirá y se debe limpiar al menos una vez al día.
2. Retire el anillo de retención (fig. 10, pos. 1) de la carcasa de la válvula de retención (1).
3. Retire la rejilla de entrada (3) de la carcasa de la válvula de retención (2).
4. Limpie completamente con el solvente adecuado.

10



6.5 LIMPIEZA DE LA PISTOLA DE PULVERIZACIÓN AIRLESS



Limpie la pistola pulverizadora después de cada uso.

1. Lavar el interior de la pistola de pulverización Airless a baja presión de servicio con agente limpiador adecuado.
2. Limpiar a fondo la boquilla con agente limpiador detergente adecuado, de manera que no quede ningún resto de material de recubrimiento.
3. Limpiar a fondo la pistola de pulverización Airless por fuera.

FILTRO ENCHUFABLE EN LA PISTOLA DE PULVERIZACIÓN AIRLESS (FIG. 11)



Siga estos pasos si usa un filtro complementario (se vende por separado) para la pistola pulverizadora.

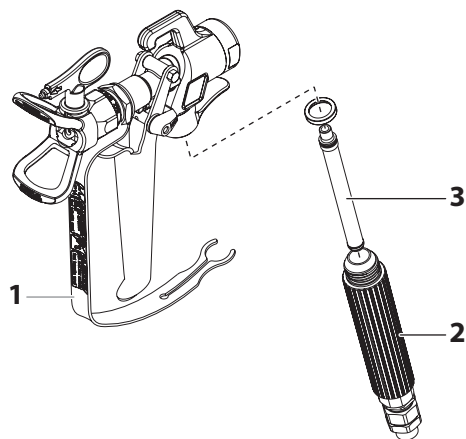
Desmontaje

1. Tirar el estribo protector (1) con fuerza hacia adelante.
2. Destornillar la empuñadura (2) fuera de la carcasa de la pistola. Extraer el filtro enchufable (3).
3. Sustituir el filtro enchufable obstruido o defectuoso.



Montaje

1. Meter el filtro enchufable (3) con el cono más largo en la carcasa de la pistola.
2. Atornillar y apretar la empuñadura (2) en la carcasa de la pistola.
3. Encajar el estribo protector (1)


11



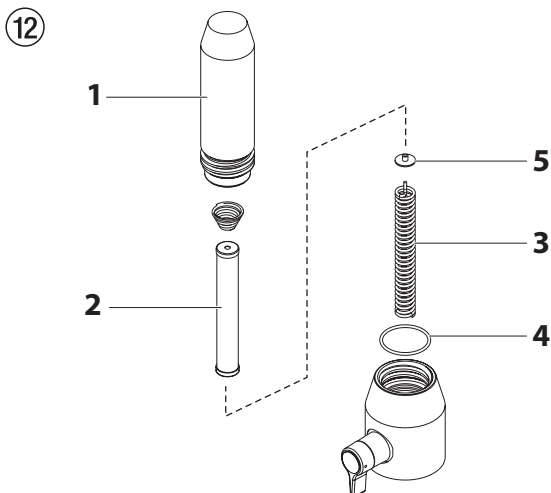
6.6 LIMPIEZA DEL FILTRO DE ALTA PRESIÓN

	Siga estos pasos si usa un filtro complementario (se vende por separado) para la pistola pulverizadora.
	Limpiar el cartucho de filtro con regularidad. Un filtro de alta presión sucio u obstruido da lugar a una proyección del pulverizado deficiente o una boquilla obstruida.

1. Girar el mando regulador de presión a mínima presión.
2. Mueva hacia abajo la válvula PRIME/SPRAY a su posición PRIME.
3. Desconectar el equipo OFF (DES).

	Extraer la clavija de red de la caja de enchufe.
---	--

4. Desenroscar la caja de filtro (Fig. 12, Pos. 1) con llave de cinta abrazadora.
5. Extraer el cartucho de filtro (2) del resorte de apoyo (3).
6. Limpiar todas las piezas con agente limpiador apropiado. Si es necesario, cambiar el cartucho de filtro.
7. Comprobar el anillo tórico (4), sustituirlo si es necesario.
8. Colocar la arandela de apoyo (5) en el resorte de apoyo (3). Deslizar el cartucho de filtro (2) sobre el resorte de apoyo.
9. Atornillar la caja de filtro (1) y apretarla con llave de cinta abrazadora hasta el tope.



7 PROCEDIMIENTO EN CASO DE AVERÍAS

PROBLEMA	CAUSA	SOLUCIÓN
A. No funciona la unidad.	<ol style="list-style-type: none"> 1. La unidad no está enchufada. 2. Disyuntor disparado. 3. Ajuste de presión demasiado bajo (la perilla de control de presión en su ajuste mínimo no suministra energía a la unidad). 4. Conexiones defectuosas o sueltas. 5. Temperatura excesiva del motor 6. Interruptor ON/OFF defectuoso. 7. Transductor defectuoso. 	<ol style="list-style-type: none"> 1. Enchufe la unidad. 2. Reajuste el disyuntor. 3. Gire la perilla de control de presión en la dirección de las agujas del reloj para suministrar energía a la unidad y aumentar el ajuste de presión. 4. Inspeccione o lleve a un centro de servicio autorizado por Titan. 5. Deje que el motor se enfríe. 6. Reemplace el interruptor ON/OFF. 7. Reemplace el transductor.
B. No se ceba la unidad.	<ol style="list-style-type: none"> 1. La válvula PRIME/SPRAY está en la posición SPRAY. 2. Fuga de aire en el tubo de sifón/juego de succión. 3. El filtro de bomba y/o la malla de entrada está obstruido. 4. El tubo de sifón/juego de succión está obstruido. 	<ol style="list-style-type: none"> 1. Gire la válvula PRIME/SPRAY en la dirección de las agujas del reloj hasta la posición PRIME. 2. Compruebe la conexión del tubo de sifón/juego de succión y apriete o vuelva a asegurar la conexión con cinta PTFE. 3. Quite el elemento del filtro de bomba y límpielo. Quite la malla de entrada y límpiela. 4. Quite el tubo de sifón/juego de succión y límpielo.
C. La unidad no crea presión ni la mantiene.	<ol style="list-style-type: none"> 1. La punta rociadora está desgastada. 2. La punta rociadora es demasiado grande. 3. La perilla de control de presión no está debidamente ajustada. 4. El filtro de bomba, el filtro de la pistola o la malla de entrada están obstruidos. 5. El material fluye desde la manguera de retorno cuando la válvula PRIME/SPRAY está en la posición SPRAY. 6. Fuga de aire en el tubo de sifón/juego de succión. 7. Existe una fuga de fluido externa. 8. Existe una fuga en la sección de líquidos interna (las empaquetaduras están desgastadas o sucias, las bolas de las válvulas están desgastadas). 9. Los asientos de las válvulas están desgastados 10. El motor tiene alimentación pero no gira. 	<ol style="list-style-type: none"> 1. Quite la punta rociadora siguiendo las instrucciones suministradas con la pistola rociadora. 2. Reemplace la punta rociadora por una punta que tenga un orificio más pequeño siguiendo las instrucciones suministradas con la pistola rociadora. 3. Gire la perilla de control de presión en la dirección de las agujas del reloj para incrementar el ajuste de presión. 4. Quite el elemento del filtro de bomba y límpielo. Quite el filtro de la pistola y límpiela. Quite la malla de entrada y límpiela. 5. Limpie o reemplace la válvula PRIME/SPRAY. 6. Compruebe la conexión del tubo de sifón/juego de succión y apriete o vuelva a asegurar la conexión con cinta PTFE. 7. Compruebe todas las conexiones en busca de fugas externas. Apriete las conexiones, si fuese necesario. Limpie las válvulas y de servicio a la sección de líquidos siguiendo el procedimiento de "Servicio a la sección de líquidos" de la sección de Mantenimiento de este manual. 8. Invierta o reemplace los asientos de las válvulas siguiendo el procedimiento de "Servicio a la sección de líquidos" de la sección de Mantenimiento de este manual. 9. Invierta o reemplace los asientos de las válvulas siguiendo el procedimiento de "Servicio a la sección de líquidos" de la sección de Mantenimiento de este manual. 10. Lleve la unidad a un centro de servicio autorizado por Titan.
D. Fuga de fluido en el extremo superior de la sección de líquidos.	<ol style="list-style-type: none"> 1. Las empaquetaduras superiores están desgastadas. 2. La vara del pistón está desgastada. 	<ol style="list-style-type: none"> 1. Vuelva a poner las empaquetaduras siguiendo el procedimiento de "Servicio a la sección de líquidos" de la sección de Mantenimiento de este manual. 2. Reemplace el vástago del pistón siguiendo el procedimiento de "Servicio a la sección de líquidos" de la sección de Mantenimiento de este manual.
E. Presión excesiva en la pistola del rociador.	<ol style="list-style-type: none"> 1. El tipo de manguera rociadora sin aire es erróneo. 2. La punta rociadora está desgastada o es demasiado grande. 3. Presión excesiva. 	<ol style="list-style-type: none"> 1. Reemplace la manguera por una manguera rociadora sin aire con trenzado textil conectada a tierra de 1/4" con un largo mínimo de 50 pies (15 metros). 2. Reemplace la punta rociadora siguiendo las instrucciones suministradas con la pistola rociadora. 3. Gire la perilla de control de presión en el sentido contrario a las agujas del reloj para reducir la presión de rociado.
F. Patrón de atomización deficiente.	<ol style="list-style-type: none"> 1. La punta rociadora es demasiado grande para el material que se está utilizando. 2. Ajuste de presión incorrecto. 3. Paso de líquido insuficiente. 4. El material que se está rociando es demasiado viscoso. 	<ol style="list-style-type: none"> 1. Reemplace la punta rociadora con una punta rociadora nueva o más pequeña siguiendo las instrucciones suministradas con la pistola rociadora. 2. Gire la perilla de control de presión para ajustar la presión para obtener un patrón de rociado adecuado. 3. Limpie todas las mallas y filtros. 4. Añada solvente al material de acuerdo con las recomendaciones del fabricante.
G. La unidad no tiene alimentación.	<ol style="list-style-type: none"> 1. El ajuste de la presión es demasiado bajo. 2. Suministro de tensión inadecuado. 	<ol style="list-style-type: none"> 1. Gire la perilla de control de presión en el sentido de las agujas del reloj para aumentar el ajuste de presión. 2. Vuelva a conectar la tensión de entrada para 120V AC.

8 MANTENIMIENTO

8.1 MANTENIMIENTO GENERAL

El mantenimiento del equipo deberá ser realizado por el servicio postventa de Titan una vez al año.

1. Comprobar los deterioros en las mangueras de alta presión, la tubería de conexión de aparatos y los conectores.
2. Comprobar el desgaste de la válvula de admisión, la válvula de escape y el filtro.

8.2 MANGUERA DE ALTA PRESIÓN

Comprobar visualmente la eventual presencia de cortes o desabolladuras en la manguera de alta presión, especialmente en el paso a la grifería. Las tuercas tapón deben tener giro libre.



En mangueras de alta presión viejas aumenta el riesgo de defectos. Titan recomienda sustituir la manguera de alta presión al cabo de 6 años.

9 REPARACIONES EN EL APARATO



Desconectar el equipo OFF (DES).

Antes de toda reparación – extraer la clavija de red la caja de enchufe.



Asegúrese de revisar la continuidad de la puesta a tierra después del servicio se realiza en cualquiera de los componentes eléctricos.

Use un ohmímetro para determinar que haya continuidad entre las piezas accesibles sin corriente del producto y la clavija de conexión a tierra del enchufe de acoplamiento.

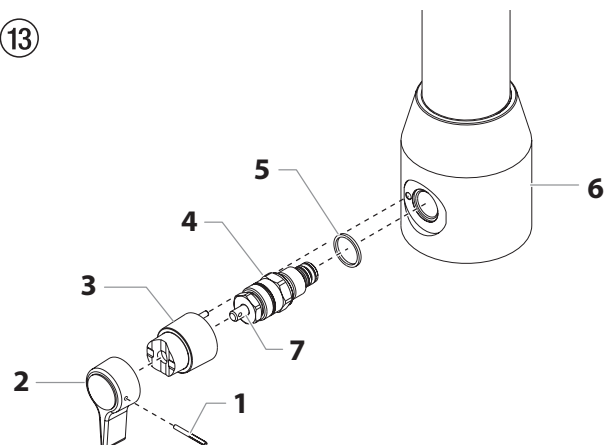
9.1 VÁLVULA DE PRIME/SPRAY



No se debe reparar la carcasa de la válvula (4). Si está desgastada, siempre se debe reemplazar con una nueva.

1. Quitar con un punzón de 2 mm el pasador cónico hendido (Fig. 13, Pos. 1) del agarradero de la válvula de descarga (2).
2. Extraer el agarradero de la válvula de descarga (2) y el tope de arrastre (3).
3. Desenroscar la caja de válvula (4) completa con una llave ajustable por rodillo sin fin.
4. Verificar el asiento correcto de la junta (5), luego enroscar una nueva caja de válvula (4) completa en la caja de escala cromática (6). Apretar con llave ajustable por rodillo sin fin.
5. Alinear el tope de arrastre (3) en el taladro de la caja de escala cromática (6). Deslizar el tope de arrastre y untarlo con grasa de máquinas.
6. Alinear para que el taladro coincida con el eje de válvula (7) y el agarradero de la válvula de descarga (2).
7. Colocar el pasador cónico hendido (1) y poner el agarradero de la válvula de descarga en la posición PRIME/SPRAY.

13



9.2 VÁLVULA DE ADMISIÓN Y ESCAPE

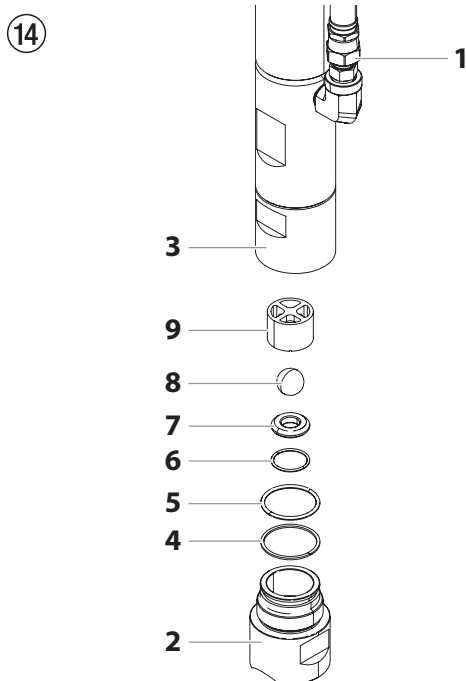
1. Desenroscar los cuatro tornillos de la tapa frontal, quitar la tapa frontal.
2. Conectar (ON) y desconectar (OFF) el equipo, de modo que la pistón articulada quede en posición de carrera inferior.



Peligro de contusión – No meter la mano o alguna herramienta entre las piezas que están en movimiento.

3. Extraer la clavija de red de la caja de enchufe.
4. Extraer el gancho del tubo de aspiración, retirar la manguera de retorno.
5. Suelte y retire la manguera de alta presión (Fig. 14, pos. 1) desde la conexión en la carcasa superior de la sección de líquido.
6. Girar el equipo en 90° hacia atrás para permitir trabajar más fácilmente en la bomba de transporte de material.
7. Aflojar la caja de válvula de admisión (2) con ligeros golpes de martillo de la carcasa inferior (3) y desenroscarla a mano, o con llave ajustable por rodillo sin fin.
8. Desmontar el anillo de seguridad (4), el anillo tórico (5), el encaje de válvula de admisión (7), la bola de válvula de admisión (8) y la guía de bola superior (9).
9. Limpiar todas las piezas con agente limpiador apropiado.

Comprobar el desgaste de la caja de válvula de admisión (2), el encaje de válvula de admisión (7) y la bola de válvula de admisión (8), sustituir las piezas si es necesario. En caso de que el desgaste del encaje de válvula de admisión (7) sea sólo por un lado, montarlo volteado.

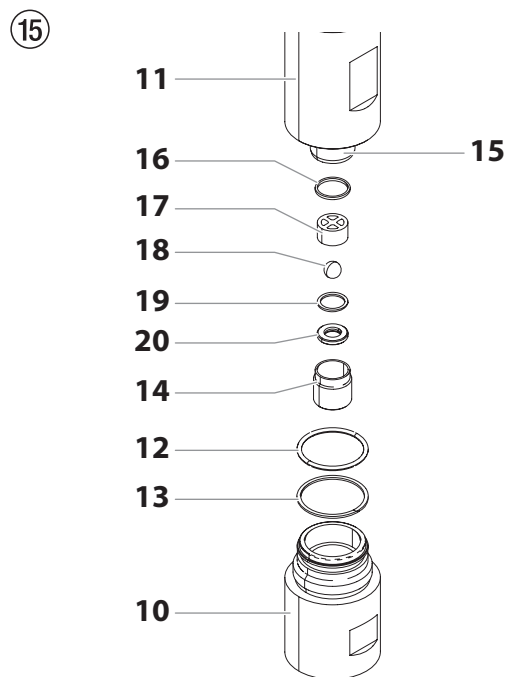


10. Realizar el montaje en orden inverso.

Untar el anillo tórico (5) con grasa de máquinas y prestar atención al encaje correcto en la caja de válvula de admisión (2).

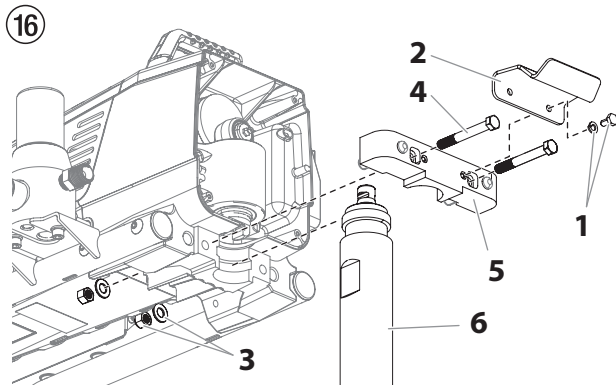
11. Desenroscar la carcasa inferior (Fig. 15, Pos. 10) con llave ajustable por rodillo sin fin, contrarreteniendo la carcasa superior (11) con una segunda llave ajustable por rodillo sin fin.
12. Quitar el anillo de seguridad (13) y el anillo tórico (12).
13. Desenroscar la caja de válvula de escape (14) del pistón con destornillador para tornillos de cabeza hexagonal de 3/8 pulgadas.
14. Desmontar la junta superior (16), la guía de bola superior (17), la bola de válvula de escape (18), la arandela (19) y el encaje de válvula de escape (20).
15. Limpiar todas las piezas con agente limpiador apropiado. Comprobar el desgaste de la caja de válvula de escape (14), el encaje de válvula de escape (20), la bola de válvula de escape (18) y la guía de bola superior (17), sustituir las piezas si es necesario. En caso de que el desgaste del encaje de válvula de escape (20) sea sólo por un lado, montarlo volteado.
16. Realizar el montaje en orden inverso.

Untar el anillo tórico (12) con grasa de máquinas y prestar atención al encaje correcto en la carcasa inferior (10).

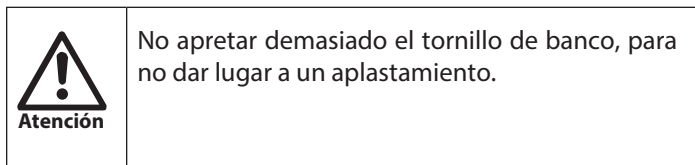


9.3 VOLVER A COLOCAR LA EMPAQUETADURA DE LA SECCIÓN DE LÍQUIDO

1. Desmontar la caja de válvula de admisión conforme a los pasos en capítulo 9.2, página 73.
2. No es necesario desmontar la válvula de escape.
3. Retire los pernos y arandelas del soporte del cubo (fig. 16, elemento 1). Retire el soporte del cubo (2). Suelte y retire las dos tuercas y arandelas (3) de abajo del pulverizador. Retire los pernos (4) que fijan el retén de la sección de líquido (5). Esto soltará toda la sección de líquido (6). Esto soltará toda la sección de líquido.
4. Deslice la sección de líquido (6) hacia delante para retirarla de la carcasa de engranajes.



5. Gire la carcasa superior (Fig. 17, elemento 1) en el sentido contrario a las agujas del reloj para soltarla del cilindro (2).
6. Tire de la carcasa superior (1) lentamente hacia abajo, lo suficiente para exponer el deslizante de extensión (3) y el pasador de conexión (4) que conecta la biela del pistón (5) al deslizante de extensión (3).
7. Empuje el pasador de conexión (4) hacia afuera del deslizante de extensión y de la biela del pistón, y retire la biela del pistón (5) y la carcasa superior (1).
8. Coloque el cilindro de la sección de líquido en posición vertical en una prensa, sujetando las partes planas para llaves (Fig. 17, Pos. 6).



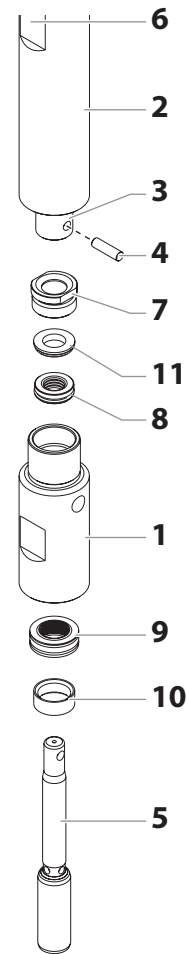
9. Con una llave, retire el retén del sello superior (7).
10. Deslice la biela del pistón (5) hacia fuera por la parte inferior de la carcasa superior (1).
11. Inspeccione que la biela del pistón no tenga desgaste y reemplácela si fuese necesario.

12. Retire la empaquetadura superior (8) y empaquetadura inferior (9) de la carcasa superior (1).



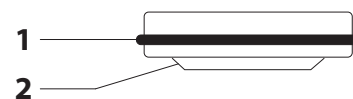
No dañar el interior de la carcasa superior.

17

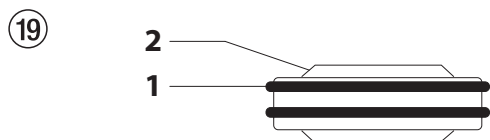


13. Limpie la carcasa superior. Inspeccione que la carcasa superior no esté dañada y reemplácela si fuese necesario.
14. Untar la empaquetadura superior (8) y la empaquetadura inferior (9) con grasa de máquinas.
15. Colocar la empaquetadura superior (Fig. 18) con el anillo tórico (1) y el labio saliente (2) hacia abajo en la carcasa superior (6).

18



16. Inserte el separador (11) en la parte superior de la empaquetadura superior.
17. Enrosque el retén del sello superior (7) en la carcasa superior y apriete de 25 a 30 pie-lb.
18. Forme previamente la empaquetadura inferior con la herramienta de calibración de la misma (incluida en el kit para volver a colocar la empaquetadura).
19. Colocar la empaquetadura inferior (Fig. 19) de manera que el lado con la menor distancia entre el anillo tórico (1) y el labio saliente (2) esté dirigido hacia arriba.

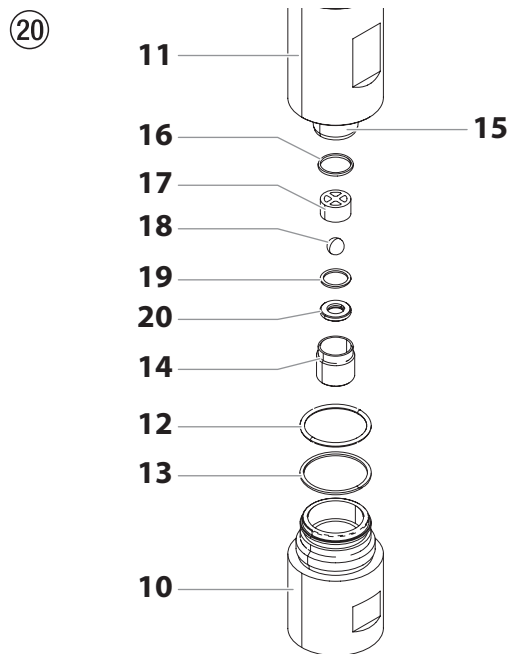


20. Presione la empaquetadura inferior (9) en su posición con la herramienta de inserción de la empaquetadura inferior (consulte la lista de piezas del conjunto de la sección de líquido para conocer el N/P de la herramienta de inserción de la empaquetadura inferior).
21. Coloque la herramienta de inserción del pistón (incluida en el kit para volver a colocar la empaquetadura) sobre la parte superior de la biela del pistón (5).
22. Untar la herramienta de montaje y el pistón (5) con grasa de máquinas.
23. Inserte la biela del pistón (5) en la parte inferior de la carcasa superior (1) a través de la empaquetadura inferior (9), por la empaquetadura superior (8) y finalmente por el retén del sello superior (7).

i	<p>Cuando vuelva a colocar la empaquetadura de la sección de líquido, asegúrese de que el labio elevado en la parte inferior de la empaquetadura inferior esté completamente fuera de la empaquetadura alrededor de la biela del pistón, después de que esta última se inserte.</p>
----------	---

24. Retirar la herramienta de montaje del pistón (4).
25. Lubrique las roscas de la carcasa superior (1) con compuesto antiadherente. Retire la carcasa superior de la prensa.
26. Inserte la biela del pistón (5) en el deslizante de extensión (3). Cuando el orificio del pasador de conexión esté alineado con el orificio del deslizante de extensión, inserte el pasador de conexión (4).
27. Enrosque la carcasa superior (1) en el cilindro (2) en el sentido de las agujas del reloj.
28. Continúe girando la carcasa superior en el sentido de las agujas de reloj hasta que esté a ras contra el cilindro.

29. Vuelva a colocar la cilindro (2) en la abrazadera de la sección de líquido en la carcasa de engranajes. Asegúrese de deslizar la parte superior de la biela del pistón en la ranura en T, en el conjunto deslizante.
30. Coloque el bloque de la sección de líquido de vuelta en su posición sobre la sección de líquido. Vuelva a colocar los pernos que fijan el bloque de la sección de líquido a la carcasa de engranajes. Vuelva a colocar las arandelas y apriete los pernos. Vuelva a colocar el soporte del cubo y fíjelo con los pernos.
31. Asegúrese de que la junta tórica (Fig. 20, pos. 12) y el anillo de retención de PTFE (Fig. 20, pos. 13) estén lubricados y en su lugar, y enrosque la carcasa inferior (10) en la carcasa superior (11). Use dos llaves para sostener la carcasa superior con las partes planas de una y apretar la carcasa inferior con la otra. Apriete de 400 +/- 20 pulg.-lb



32. Conecte la manguera de alta presión en el niple de la parte posterior de la carcasa y apriételo con una llave. No tuerza la manguera.

i	<p>Asegúrese de que la manguera no toque la estructura del carro. Si lo hace, gire la carcasa superior para volver a posicionar el niple hasta que la manguera esté lejos de la estructura y el niple esté dentro de 45° de la parte posterior de la unidad.</p>
----------	--

33. Atornillar la caja de válvula de admisión (Fig. 14, Pos. 2), véase capítulo 9.2.
34. Sujetar la manguera de retorno con gancho en el tubo de aspiración.
35. Montar la tapa frontal.

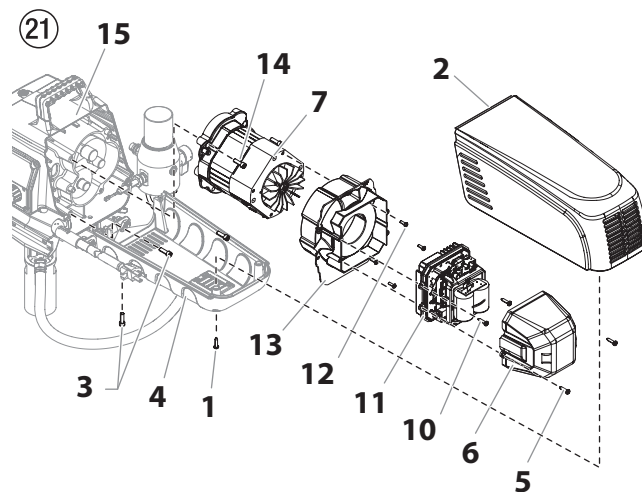
9.4 REEMPLAZO DEL MOTOR



El siguiente procedimiento solo se debe realizar en un Centro de servicio autorizado de Titan.

1. Desconecte la unidad.
2. Suelte y retire los dos tornillos de la carcasa del motor (Fig. 21, elemento 1). Retire la carcasa del motor (2).
3. Suelte y retire los tres (3) tornillos de la cubierta inferior. Retire la cubierta inferior (4).
4. Suelte y retire los dos tornillos de la tapa del motor (5). Retire la tapa del motor (6).
5. Desconecte todos los cables entre el motor (7) y el pulverizador.
6. Suelte y retire los dos tornillos del controlador del motor (10). Retire el controlador del motor (11).
7. Suelte y retire los cuatro tornillos del deflector del motor (12). Retire el deflector del motor (13).
8. Suelte y retire los tres tornillos de montaje del motor (14).
9. Retire el motor (7) de la carcasa de la caja de engranajes (15).
10. Con el motor retirado, inspeccione los engranajes en la carcasa de la caja de engranajes para saber si hay daños o desgaste excesivo. Reemplace los engranajes, si fuese necesario.
11. Instale el nuevo motor (7) en la carcasa de la caja de engranajes (15).
12. Fije el motor (7) con los tres tornillos de montaje del motor (14).
13. Vuelva a conectar los cables entre el pulverizador y el nuevo motor (consulte el Diagrama de conexiones, sección 11.7).
14. Coloque el deflector (13) sobre el extremo del conjunto de motor (7). Fíjelo con los cuatro tornillos del deflector del motor (12).
15. Coloque el controlador del motor (11) de vuelta en su lugar detrás del deflector del motor (13). Fíjelo con los dos tornillos del controlador del motor (10).
16. Vuelva a conectar todos los cables entre el motor (7) y el pulverizador.
17. Coloque la cubierta del motor (6) de vuelta sobre el controlador del motor (11). Fíjelo con los dos tornillos de la tapa del motor (5).
18. Coloque la cubierta inferior (4) de vuelta en su lugar y fíjela con los tres (3) tornillos para la cubierta inferior.

19. Deslice la carcasa del motor (2) sobre el conjunto de motor (7).
20. Fije la carcasa del motor (2) con los dos tornillos de la carcasa del motor (1).



9.5 REEMPLAZO DE LOS ENGRANAJES



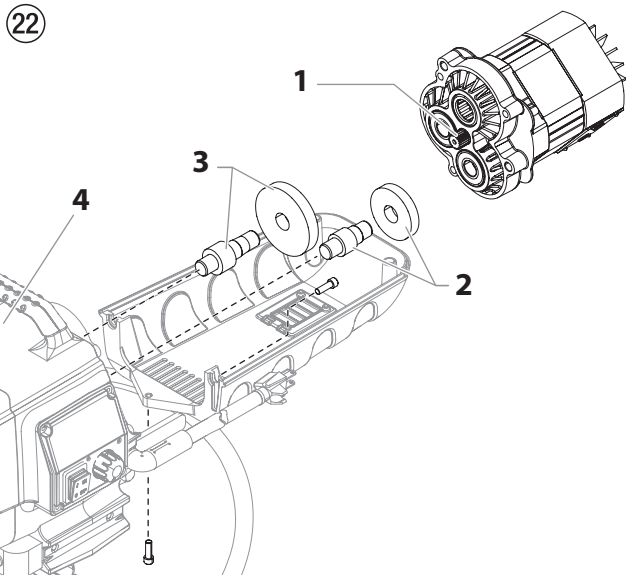
El siguiente procedimiento solo se debe realizar en un Centro de servicio autorizado de Titan.

1. Siga los pasos del 1 al 9 en Reemplazo del conjunto de motor (sección 9.4) para retirar el motor y el panel de control.
2. Inspeccione el engranaje de la armadura (Fig. 22, elemento 1) en el extremo del motor para saber si tiene daños o desgaste excesivo. Si el engranaje está completamente desgastado, reemplace el conjunto de motor.
3. Retire e inspeccione que los conjuntos de la primera (2) y la segunda (3) etapa de engranajes no tengan daños ni desgaste excesivo. Reemplácelos, si fuese necesario.
4. Inspeccione el conjunto de la caja de engranajes (4) delantera para saber si tiene daños o presenta desgaste excesivo. Si están dañados o desgastados, reemplace el conjunto de la caja de engranajes delantera.



Limpie y vuelva a llenar la cavidad de la caja de engranajes hasta la superficie posterior de cada engranaje con Lubriplate (N.º/P 314-171).

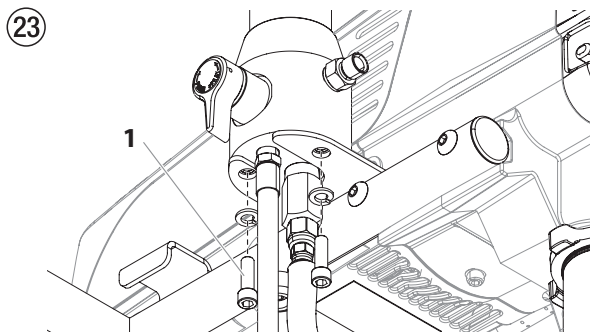
5. Vuelva a instalar el motor en la carcasa de la caja de engranajes (4).
6. Siga los pasos del 11 al 20 en **Reemplazo del conjunto de motor** (sección 9.4) para reemplazar el motor.



9.6 REEMPLAZO DEL TRANSDUCTOR

i El siguiente procedimiento solo se debe realizar en un Centro de servicio autorizado de Titan.

1. Desconecte la unidad.
2. Suelte y retire los dos tornillos del conjunto de filtro (Fig. 23, elemento 1). Deslice el conjunto de filtro del carro.

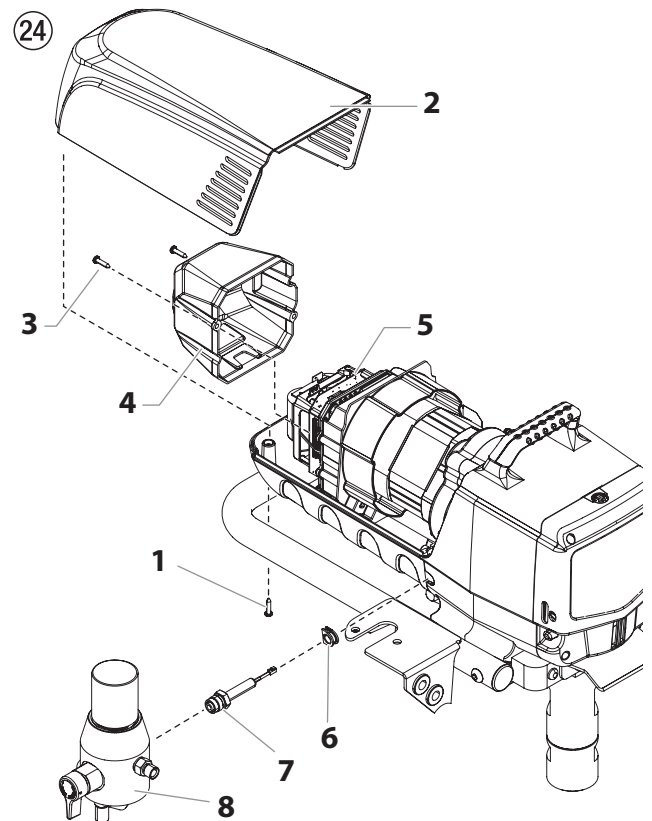


3. Suelte y retire los dos tornillos de la carcasa del motor (Fig. 24, elemento 1). Retire la carcasa del motor (2).
4. Suelte y retire los dos tornillos de la tapa del motor (3). Retire la tapa del motor (4).
5. Desconecte el cable del transductor del controlador del motor (5).
6. Tire el prensaestopas (6) fuera de la placa de montaje y deslícelo hacia arriba por el eje del transductor (7) hasta que salga de la placa de montaje.
7. Use una llave para soltar y retirar el transductor (7) de la carcasa del filtro (8). Pase cuidadosamente el cable del transductor por la placa de montaje.

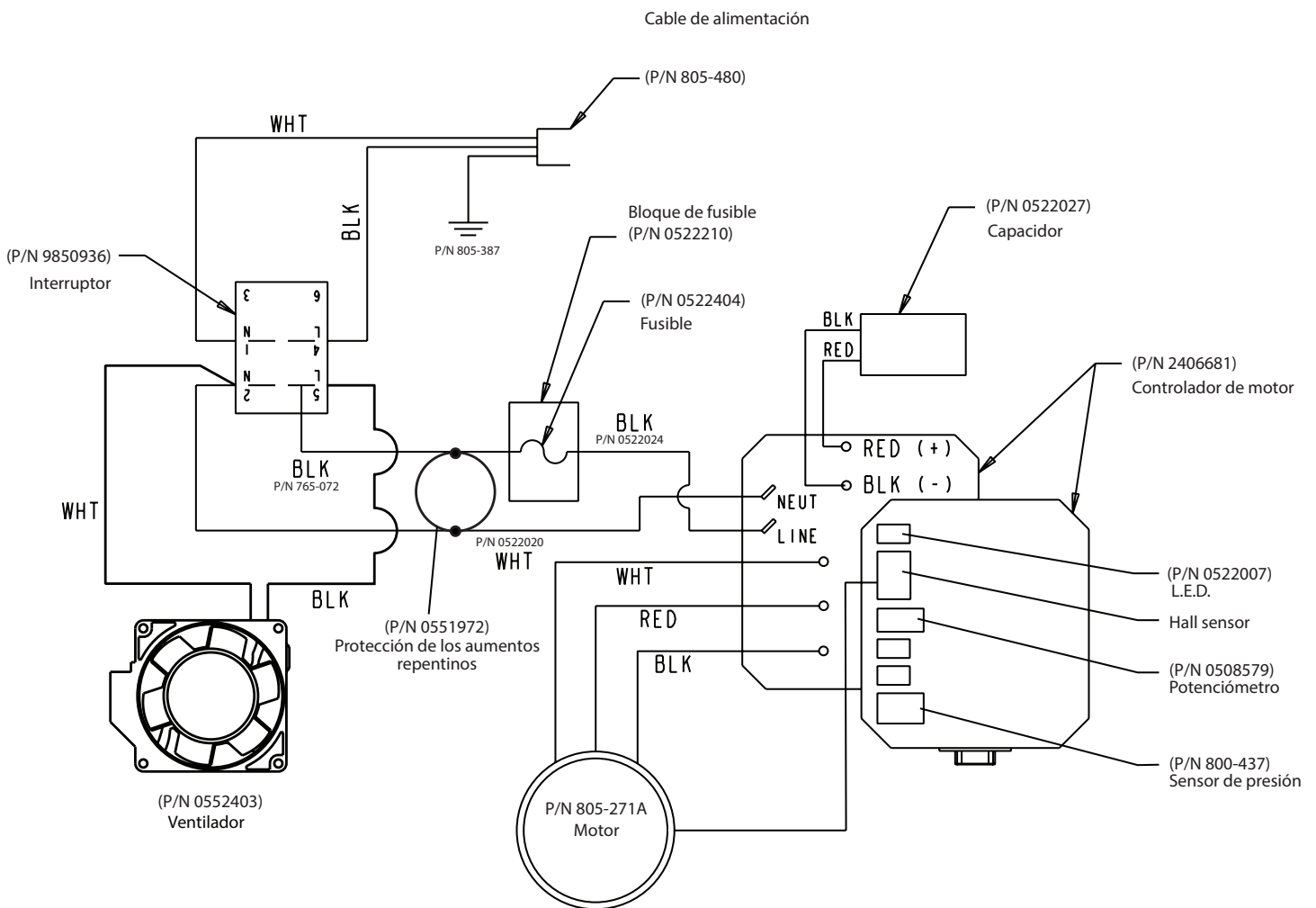
8. Deslice el prensaestopas (6) fuera del transductor antiguo (7) y sobre el nuevo transductor.
9. Pase el cable del nuevo transductor por la placa de montaje y de vuelta al controlador del motor (5).
10. Enrosque el nuevo transductor (7) en la carcasa del filtro (8) y apriételo firmemente con una llave.

i Asegúrese de que la junta tórica en el transductor esté en su lugar antes de roscar el transductor en la carcasa del filtro.

11. Empuje el prensaestopas (6) en la placa de montaje.
12. Conecte el cable del transductor al controlador del motor (consulte el Diagrama de conexiones, sección 9.7).
13. Coloque la cubierta del motor (4) de vuelta sobre el controlador del motor (5). Fíjelo con los dos tornillos de la tapa del motor (3).
14. Deslice la carcasa del motor (2) sobre el conjunto de motor.
15. Fije la carcasa del motor (2) con los dos tornillos de la carcasa del motor (1).



9.7 ESQUEMA ELÉCTRICO IMPACT 1040T



GARANTÍA

Titan Tool, Inc., ("Titan") garantiza que al momento de la entrega al comprador original para su uso ("Usuario Final") el equipo que se encuentra bajo la cobertura de esta garantía no presentará defectos de materiales ni de mano de obra. A excepción de cualquier garantía especial, limitada o extendida publicada por Titan, la obligación de Titan según esta garantía se limita el reemplazo o la reparación sin cargo de las piezas, las que según el criterio de Titan se presenten como defectuosas dentro de doce (12) meses después de la venta al Usuario Final. Esta garantía es aplicable sólo cuando la unidad se instala y se hace funcionar de acuerdo con las recomendaciones e instrucciones de Titan.

Esta garantía no se aplica en caso de daño o desgaste provocado por abrasión, corrosión, uso indebido, negligencia, accidente, instalación defectuosa, sustitución de piezas de componentes que no pertenezcan a Titan o la alteración de la unidad de alguna manera que impida su funcionamiento normal.

Las piezas defectuosas se deben devolver a una tienda de ventas/servicio técnico autorizada de Titan. Todos los cargos de transporte, incluido el regreso a la fábrica de ser necesario, deben ser costeados y pagados por adelantado por el Usuario Final. El equipo que se repare o reemplace se devolverá al Usuario Final con los gastos de envío pagados por adelantado.

NO EXISTE OTRA GARANTÍA EXPRESA. POR ESTE MEDIO TITAN NIEGA TODAS LAS GARANTÍAS IMPLÍCITAS, ENTRE LAS QUE SE INCLUYEN, AQUELLAS DE COMERCIABILIDAD Y APTITUD PARA UN FIN EN PARTICULAR DENTRO DE LO QUE PERMITA LA LEY. LA DURACIÓN DE CUALQUIER GARANTÍA IMPLÍCITA QUE NO SE PUEDA NEGAR SE LIMITA AL PERÍODO QUE SE ESPECIFIQUE EN LA GARANTÍA EXPRESA. LA RESPONSABILIDAD DE TITAN NO EXCEDERÁ EN NINGÚN CASO EL VALOR DE LA COMPRA. LA RESPONSABILIDAD POR DAÑOS ESPECIALES, INDIRECTOS O EMERGENTES SEGÚN CUALQUIERA Y TODAS LAS GARANTÍAS ESTÁ EXCLUIDA DENTRO DE LO QUE PERMITA LA LEY.

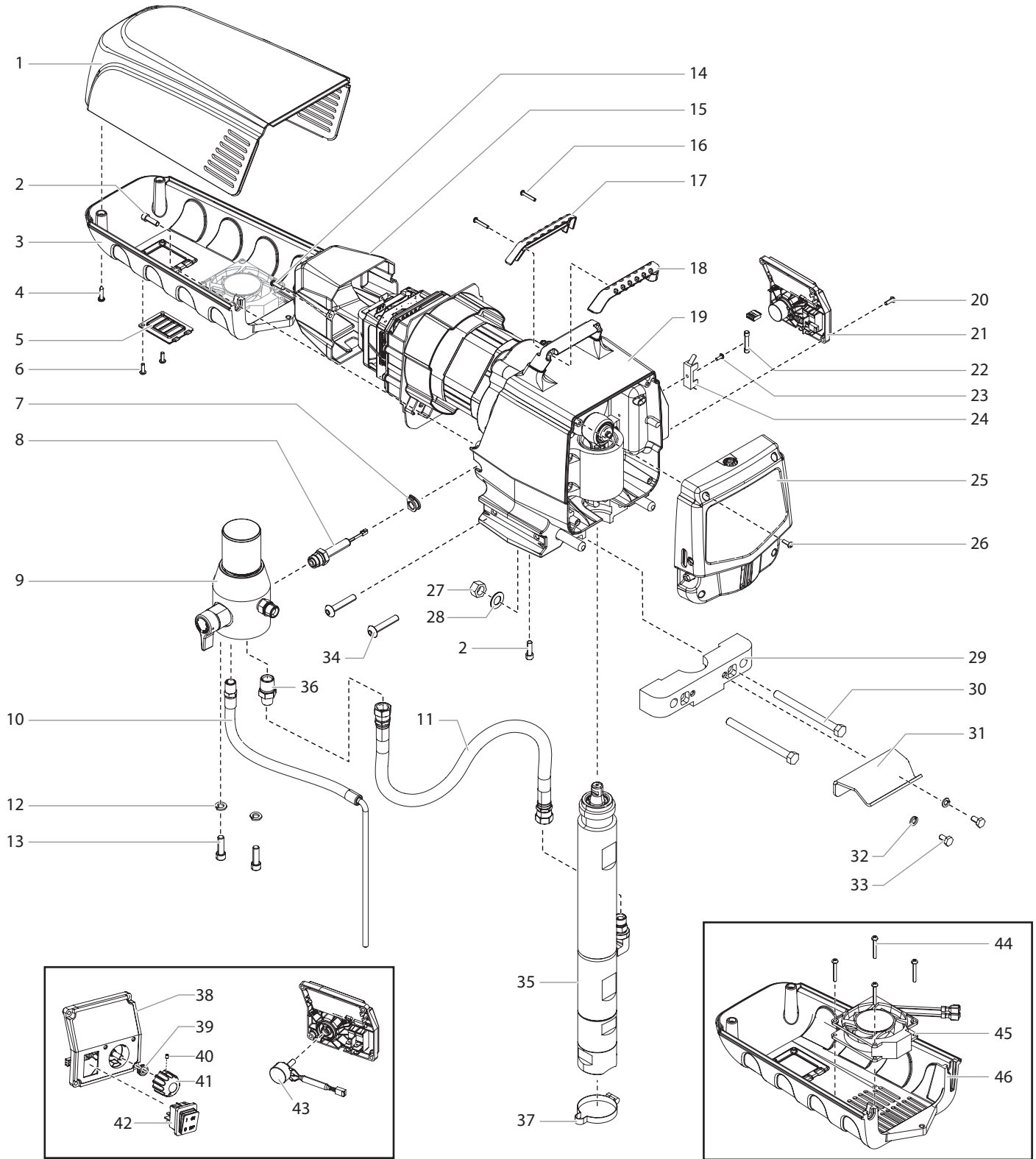
TITAN NO REALIZA NINGUNA GARANTÍA Y NIEGA TODAS LAS GARANTÍAS IMPLÍCITAS DE COMERCIABILIDAD Y APTITUD PARA UN FIN EN PARTICULAR EN RELACIÓN CON ACCESORIOS, EQUIPOS, MATERIALES O COMPONENTES QUE VENDA, PERO QUE NO FABRIQUE TITAN. ESTOS ARTÍCULOS QUE VENDA, PERO QUE NO FABRIQUE TITAN (TALES COMO MOTORES DE GAS, INTERRUPTORES, MANGUERAS, ETC.) ESTÁN SUJETOS A LA GARANTÍA, DE EXISTIR ALGUNA, DE SU FABRICANTE. TITAN PROPORCIONARÁ UNA ASISTENCIA RAZONABLE AL COMPRADOR PARA REALIZAR CUALQUIER RECLAMACIÓN POR EL INCUMPLIMIENTO DE ESTAS GARANTÍAS.

CUADRO DE PIEZAS DE RECAMBIO

EN MAIN ASSEMBLY

F ENSEMBLE PRINCIPAL

ES CONJUNTO PRINCIPAL

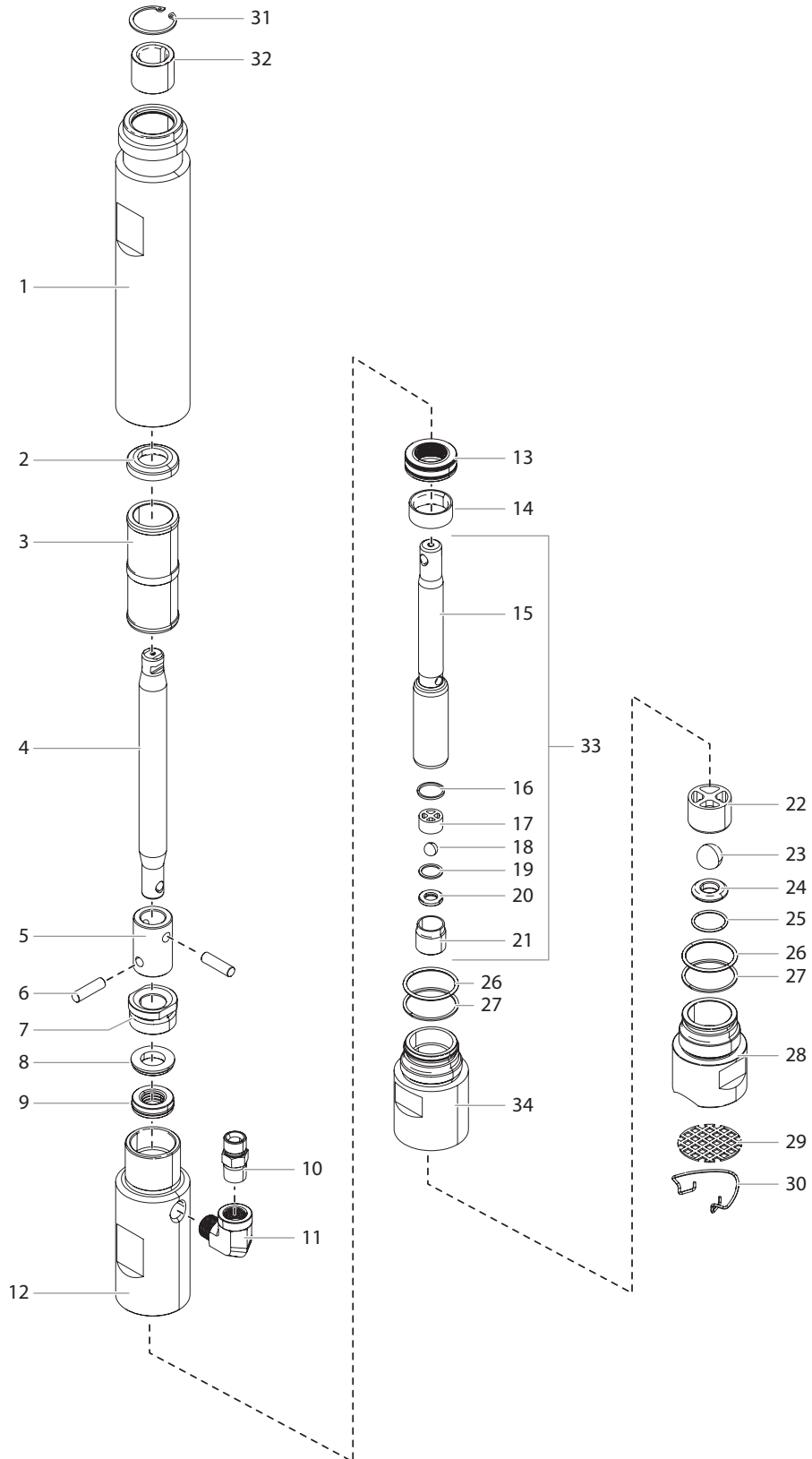


#	Impact 1040T	English Description	Français Description	Español Descripción	Qty. Qté. Cant.
1	805-425	Motor shroud	Carter du moteur	Cubierta del motor	1
2	700-681	Belly pan screw	Vis de ventre pan	Tornillo de vientre pan	3
3	0552404A	Belly pan assembly	Ventre pan	Vientre pan	1
4	9802266	Motor shroud screw	Vis de carter du moteur	Tornillo de cubierta del motor	2
5	805-490	Belly pan cover	Couvercle de ventre pan	Tapa de vientre pan	1
6	700-139	Belly pan cover screw	Vis de couvercle de ventre pan	Tornillo de tapa de vientre pan	2
7	805-439	Grommet	Anneau isolant	Prensaestopas	1
8	800-437	Transducer assembly	Ensemble de transducteur	Ensamblaje de transductor	1
9	0532442A	Filter plug assembly (see separate listing)	Ensemble de bouchon-filtre (voir la liste de pièces distincte)	Conjunto de tapón de filtro (consulte la lista separada)	1
10	800-904	Return tube	Tube de retour	Tubo de retorno	1
11	0552585	Hose	Flexible	Manguera	1
12	860-002	Washer	Rondelle	Arandela	2
13	9805311	Screw	Vis	Tornillo	2
14	9802266	Screw	Vis	Tornillo	2
15	805-462	Motor controller cover	Carter du contrôleur de moteur	Cubierta del controlador del motor	1
16	9805317	Handle screw	Vis de poignée	Tornillo de la manilla	2
17	805-332	Handle cover, back	Couvre-poignée, dos	Cubierta de la manilla, posterior	1
18	805-333	Handle cover, front	Couvre-poignée, face	Cubierta de la manilla, delantera	1
19	-----	Drive assembly (see separate listing)	Boîte d'engrenages (voir la liste de pièces distincte)	Conjunto de transmisión (consulte la lista separada)	1
20	700-139	Control panel screw	Vis de panneau de contrôle	Tornillo de panel de control	4
21	0552550A	Control panel assembly, complete includes items 38-43)	Ensemble de panneau de contrôle, complète (comprend les articles 38-43)	Ensamblaje de panel de control, completa (incluye artículos 38-43)	1
22	0522404	Fuse	Fusible	Fusible	1
23	9804916	Fuse block screw	Vis de bloc de fusible	Tornillo de bloque de fusible	1
24	0522210	Fuse block	Bloc de fusible	Bloque de fusible	1
25	805-250A	Face plate / oiler assembly	Ensemble de couvercle / graisseur	Ensamblaje de cubierta frontal / lubricador	1
26	700-139	Face plate screw	Vis de couvercle	Tornillo de la cubierta frontal	4
27	9812333	Nut	Écrou	Tuerca	2
28	0509285	Washer	Rondelle	Arandela	2
29	805-464	Retainer	Serre boudin	Retén	1
30	9805441	Bolt	Boulon	Perno	2
31	805-434	Pail hook	Crochet pour seau	Gancho para el cubo	1
32	9821503	Lock washer	Rondelle de blocage	Arandela de seguridad	2
33	858-625	Pail hook screw	Vis de crochet pour seau	Tornillo del gancho para el cubo	2
34	9805348	Screw	Vis	Tornillo	4
35	0532437A	Fluid section assembly	Ensemble de section des liquides	Ensamblaje de sección de líquidos	1
36	813-555	Fitting	Raccord	Conector	1
37	9850639	Clamp	Agrafe	Sujetador	1
38	0552991	Control panel cover with label	Couvercle de panneau de contrôle avec étiquette	Tapa de panel de control con etiqueta	1
39	700-176	Nut with seal	Écrou avec joint	Tuerca con sello	1
40	704-598	Set screw	Vis	Tornillo	1
41	805-354	Control knob	Bouton de contrôle	Botón de control	1
42	9850936	Switch	Interrupteur	Interruptor	1
43	800-094	Potentiometer	Potentiomètre	Potenciómetro	1
44	9805400	Screw	Vis	Tornillo	4
45	0552403	Fan	Ventilateur	Ventilador	1
46	805-428	Belly pan	Ventre pan	Vientre pan	1
	0551972	Surge suppressor (not shown, see schematic)	Protection contre les surtensions (non présenté, voir le schéma)	Supresor de sobrecarga (no se muestra, consulte el esquema)	1
	805-480	Power cord assembly (not shown)	Ensemble de cordon d'alimentation (non présenté)	Ensamblaje de cable de alimentación (non présenté)	1

CUADRO DE PIEZAS DE RECAMBIO

EN FLUID SECTION
 ES ZONA DE PINTURA

F POMPE À PEINTURE



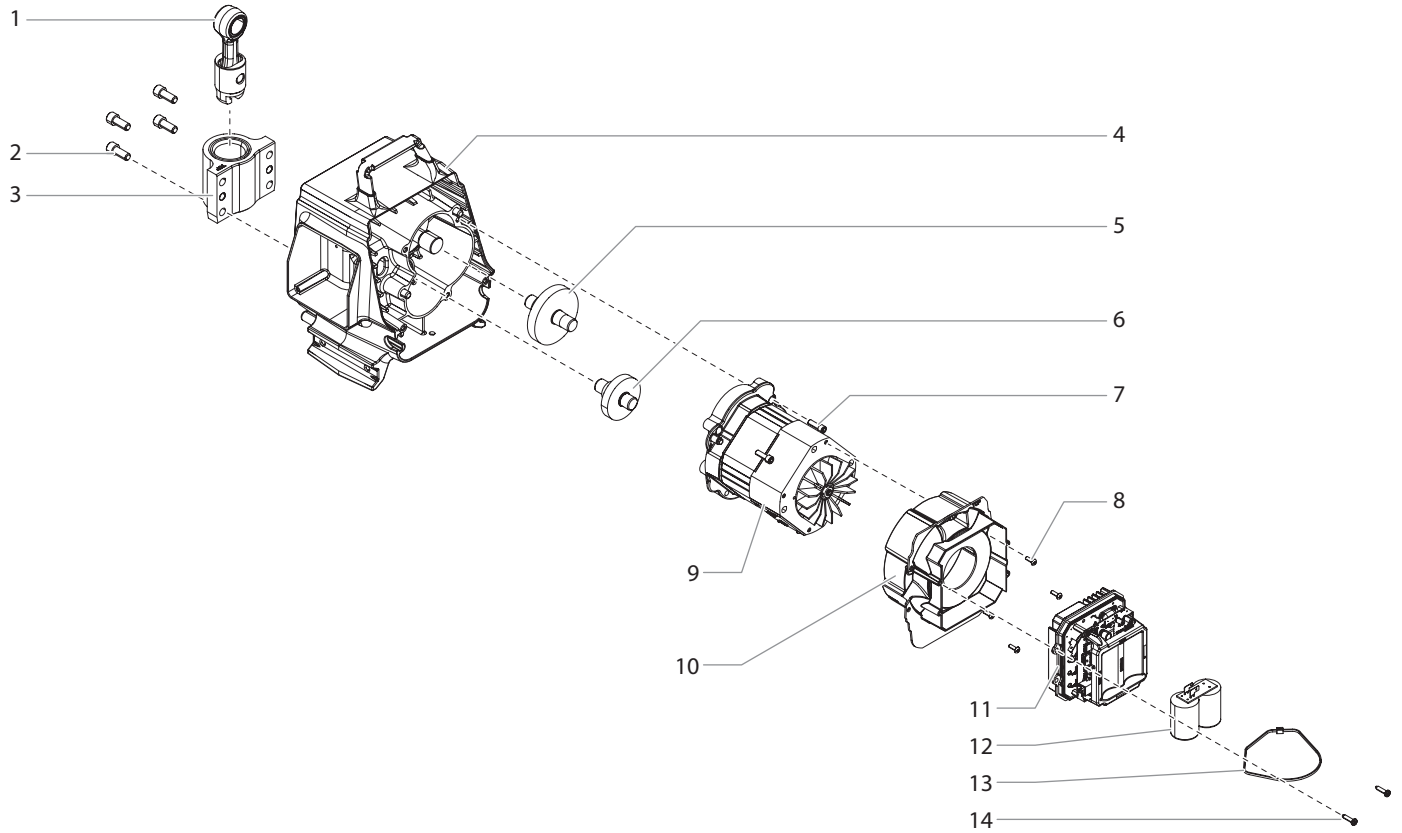
#	Impact 1040T	English Description	Français Description	Español Descripción	Qty. Qté. Cant.
1	0532438A	Cylinder, extension	Cylindre	Cilindro	1
2	800-643	Stopping spacer	Entretoise d'arrêt	Separador de detención	1
3	800-636A	Extension bushing	Douille d'extension	Buje de extensión	1
4	0532439A	Piston extension	Extension piston	Extensión de pistón	1
5	800-637	Extension slider	Coulisseau d'extension	Deslizante de extensión	1
6	800-639	Connecting pin	Axe de liaison	Pasador de conexión	1
7	800-325	Retainer, upper seal	Écrou de guidage	Tuerca guía	1
8	800-327	Spacer	Entretoise	Separador	1
9	800-353A	Upper packing	Garniture supérieure	Empaquetadura superior	1
10	808-555	Fitting	Raccord double	Pieza de unión	1
11	818-002	Elbow, 90°	Coude, 90°	Codo, 90°	1
12	800-351	Upper housing	Boîtier supérieur	Carcasa superior	1
13	800-355A	Lower packing	Garniture inférieure	Empaquetadura inferior	1
14	800-354	Wear ring	Bague d'usure	Anillo de desgaste	1
15	0507732	Piston rod	Piston	Pistón	1
16	800-348	Upper seal	Joint supérieur	Junta superior	1
17	0507452	Upper ball guide	Guide de bille supérieur	Guía de bola superior	1
18	0552234	Outlet valve ball	Bille du clapet de refoulement	Bola de válvula de escape	1
19	0507454	Washer	Rondelle	Arandela	1
20	0294516	Outlet valve seat	Siège du clapet de refoulement	Encaje de válvula de admisión	1
21	800-336	Outlet valve retainer	Corps du clapet de refoulement	Caja de válvula de escape	1
22	800-322	Lower ball guide	Guide de bille inférieur	Guía de bola inferior	1
23	0555595	Inlet valve ball	Bille du clapet d'admission	Bola de válvula de admisión	1
24	00310	Inlet valve seat	Siège du clapet d'admission	Encaje de válvula de admisión	1
25	9871218	O-ring	Joint torique	Anillo tórico	1
26	800-332	O-ring	Joint torique	Anillo tórico	2
27	800-333	Back up ring	Joint torique	Anillo tórico (2)	2
28	800-635A	Inlet valve housing	Corps du clapet d'admission	Caja de válvula de admisión	1
29	451-018	Inlet screen	Grille d'entrée	Filtro de entrada	1
30	0524421	Spring clip	Agrafe à ressort	Sujetador del resorte	1
31	9822556	Snap ring	Circlip	Anillo elástico	1
32	9860727	Bushing	Douille	Manguito	1
33	800-720	Piston assembly (includes items 15-21)	Ensemble piston (comprend les éléments 15 à 21)	Conjunto de pistón (incluye los elementos 15 a 21)	1
34	800-352	Lower housing	Boîtier inférieur	Carcasa inferior	1
	800-730	Repacking kit - 1 (includes items 8-9, 13-14, 16, 18-19, 23 and 25-27)	Kit de remplacement des garnitures - 1 (comprend les éléments 8 à 9, 13 à 14, 16, 18 à 18, 23 et 25 à 27).	Juego para volver a colocar la empaquetadura - 1 (incluye los elementos 8 a 9, 13 a 14, 16, 18 a 19, 23 y 25 a 27).	
	800-359	Lower packing insertion tool	Outil de montage garniture inférieure	Herramienta de montaje de empaquetadura inferior	

CUADRO DE PIEZAS DE RECAMBIO

EN DRIVE ASSEMBLY

F ENSEMBLE MOTEUR

ES CONJUNTO DEL MECANISMO IMPULSOR

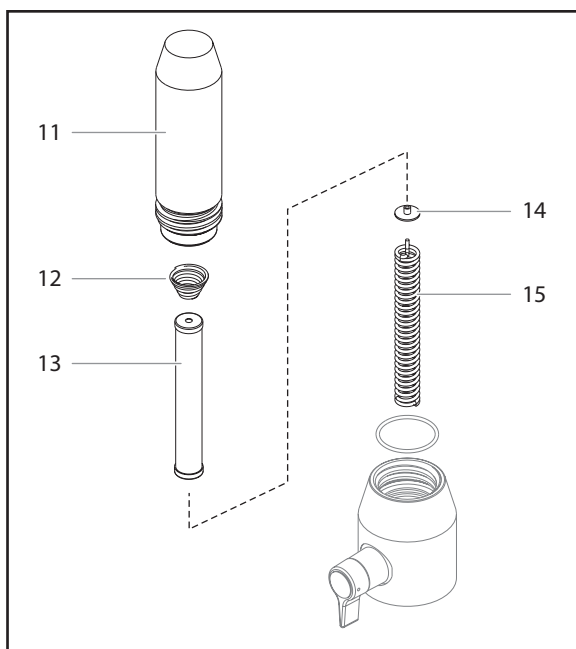
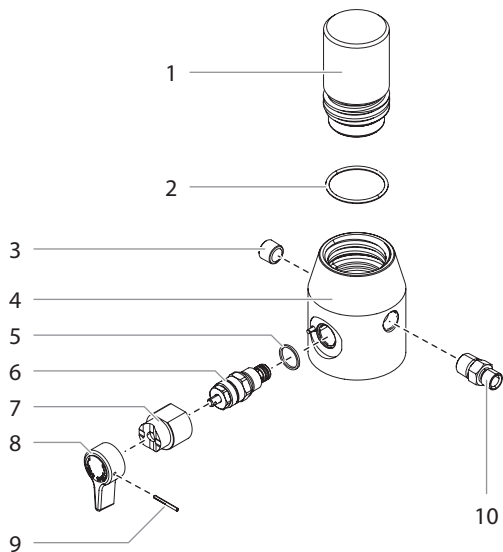


#	Impact 1040T	English Description	Français Description	Español Descripción	Qty. Qté. Cant.
1	805-241A	Slider assembly	Bielle	Vara conectora	1
2	700-283	Screw	Vis	Tornillo	4
3	805-248A	Slider housing	Logement de bielle	Alojamiento de vara conectora	1
4	805-244A	Housing assembly	Logement de la pompe	Caja de la bomba	1
5	0558362A	3rd stage gear	Engrenage du 3e étage	Engranajes de la 3 etapa	1
6	0558363A	2nd stage gear	Engrenage du 2e étage	Engranajes de la 2 etapa	1
7	700-681	Motor mount screw	Vis de moteur	Tornillo de motor	3
8	700-139	Motor baffle screw	Vis de joint d'étanchéité	Tornillo de empaquetadura	4
9	805-271A	Motor assembly	Ensemble de moteur	Ensamblaje del motor	1
10	805-460	Motor baffle	Joint d'étanchéité	Empaquetadura	1
11	2406681	Motor controller	Contrôleur de moteur	Controlador de motor	1
12	0522027	Capacitor assembly	Ensemble condensateur	Conjunto de capacitor	1
13	770-099	Tie wrap	Attache autobloquante	Amarras	1
14	9802266	Motor controller screw	Vis de contrôleur de moteur	Tornillo de controlador de motor	2

CUADRO DE PIEZAS DE RECAMBIO

EN FILTER PLUG ASSEMBLY
 ES TAPÓN DE FILTRACIÓN

F BOUCHON-FILTRE

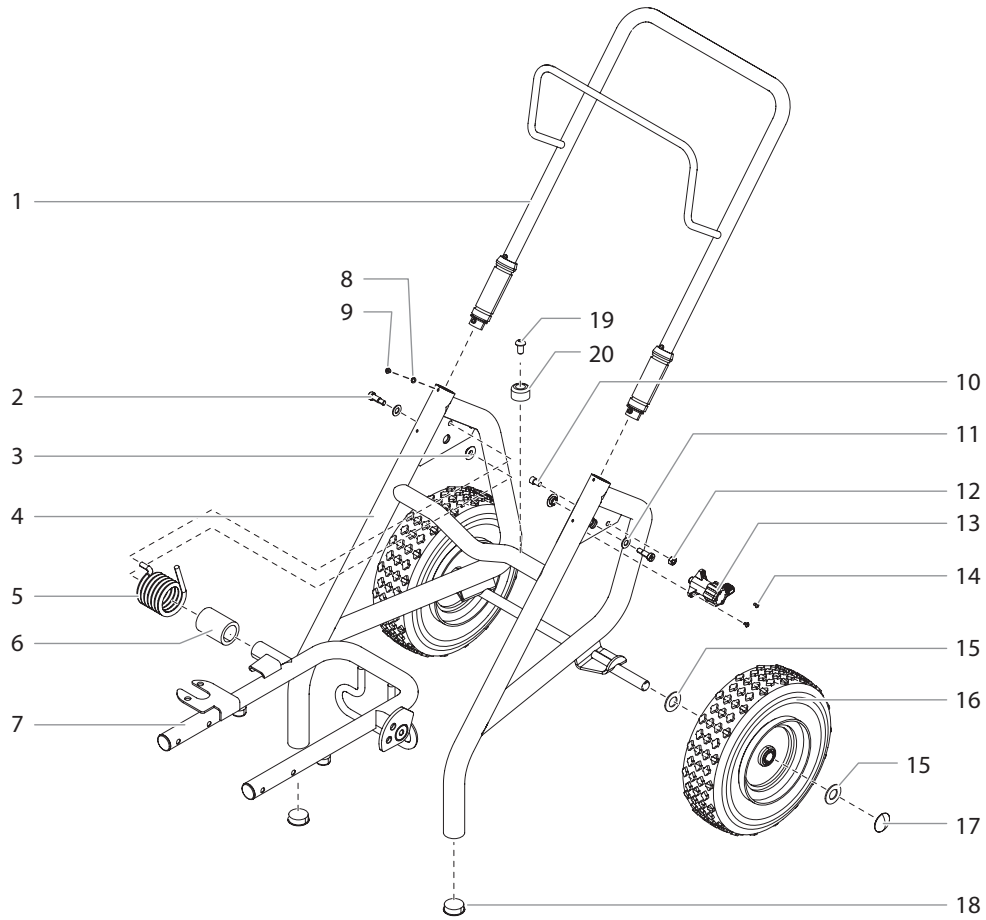


#	Impact 1040T	English Description	Français Description	Español Descripción	Qty. Qté. Cant.
1	800-612	Filter plug	Bouchon-filtre	Tapón de filtración	1
2	800-906	O-ring	Joint torique	Resorte cónico	1
3	227-033	Pipe plug	Bouchon fileté	Tapón de la tubería	1
4	805-508	Housing	Logement	Carcasa	1
5	700-537	Gasket	Joint	Empaquetadura	1
6	800-925	Bypass valve assembly (includes item 5)	Ensemble by-pass (comprend le élément Pos. 5)	Conjunto de válvula de derivación (incluye los pos. 5)	1
7	700-252B	Cam base	Support de came	Manilla de la válvula	1
8	700-697	Relief valve knob	Bouton du robinet	Base de la leva	1
9	700-759	Groove pin	Goupille cannelée	Pasador de ranura	1
10	0508343	Fitting	Raccord double	Pieza de unión	1
Optional • Facultatif • Opcional					
11	0524918	Filter housing	Corpse du filtre	Caja de filtro	1
12	14058	Conical spring	Ressort	Resorte cónico	1
13	0508748	Filter, 60 mesh	Filtre, 60 mailles	Filtro, 60 mallas	1
	0508451	Filter, 30 mesh	Filtre, 30 mailles	Filtro, 30 mallas	1
	0508452	Filter, 100 mesh	Filtre, 100 mailles	Filtro, 100 mallas	1
14	0508603	Bearing ring	Rondelle	Arandela de apoyo	1
15	0508749	Bearing spring	Ressort	Resorte	1
	700-258	PRIME / SPRAY valve assembly (includes items 5-9)	Ensemble de soupape de PRIME/ SPRAY (comprend les articles 5 à 9)	Conjunto de la válvula de PRIME/ SPRAY (incluye artículos 5-9)	

CUADRO DE PIEZAS DE RECAMBIO

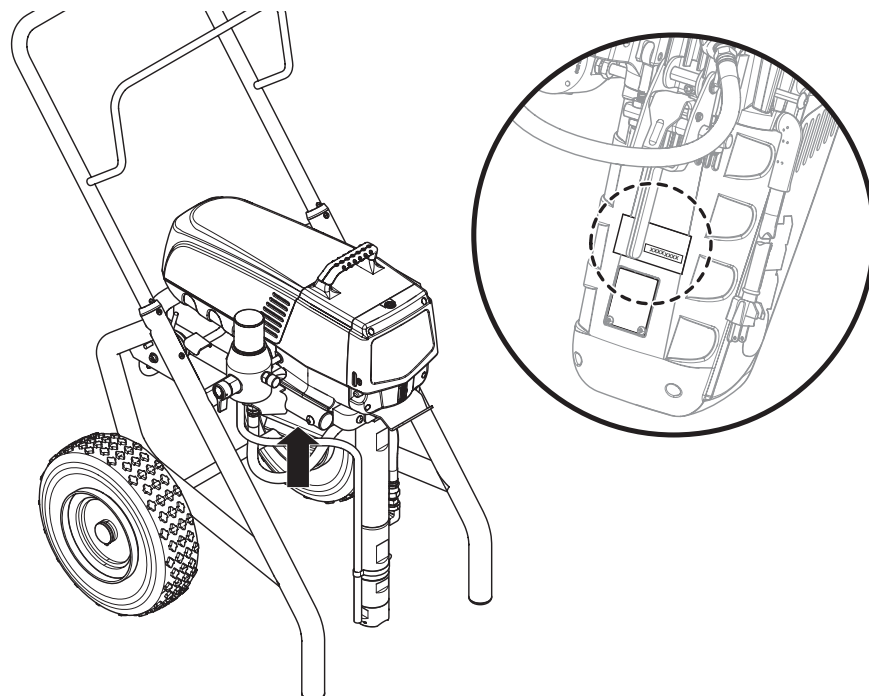
EN UPRIGHT CART ASSEMBLY
 ES CARRO VERTICAL

F CHARIOT HAUT



#	Impact 1040T	English Description	Français Description	Español Descripción	Qty. Qté. Cant.
1	805-206A	Handle assembly	Ensemble de poignée	Ensamblaje del mango	1
2	9805352	Shoulder screw	Vis à épaulement	Tornillo de hombro	2
3	805-451	Bushing	Bague de réduction	Buje	2
4	805-200	Cart weldment	Chariot	Carro	1
5	9894275	Spring	Ressort	Resorte	1
6	805-589	Sleeve	Manchon	Camisa	1
7	805-262A	Carriage assembly	Chariot	Conjunto del carro	1
8	856-002	Washer	Rondelle	Arandela	4
9	856-921	Screw	Vis	Tornillo	4
10	0279481	Screw	Vis	Tornillo	1
11	9820305	Washer	Rondelle	Arandela	2
12	756-114	Jam nut	Contre-écrou	Contratuerca	1
13	805-228A	Cam assembly	Ensemble de cames	Conjunto de la leva	1
14	9805353	Cam assembly screw	Vis d'ensemble de cames	Tornillo para el conjunto de la leva	2
15	0295687	Wheel spacer	Espaceur de roue	Separador de rueda	4
16	670-109	Wheel	Roue	Rueda	2
17	800-019	Axle cap	Chapeau	Tapa	2
18	335-018	Plug	Capuchon	Tapa	2
19	54458	Screw	Vis	Tornillo	2
20	13538	Foot	Couppelles	Amortiguador	2

SERIAL NUMBER LOCATION • EMBLACEMENT DU NUMÉRO DE SÉRIE • UBICACIÓN DEL NÚMERO DE SERIE



EN ACCESSORIES

F ACCESOIRES

ES ACCESORIOS

Spray Guns • Pistolets de pulvérisation • Pistolas de rociadora			
538006	2 Finger RX-80™ with 517 Tip	2-doigts RX-80™ avec l'embout à 517	2-dedos RX-80™ con la punta de 517
538005	4 Finger RX-80™ with 517 Tip	4-doigts RX-80™ avec l'embout à 517	4-dedos RX-80™ con la punta de 517
538010	RX-80™ with Tip and hose	RX-80™ avec l'embout et flexible	RX-80™ con la punta y manguera
538020	RX-Pro® with 517 Tip	RX-Pro® avec l'embout à 517	RX-Pro® con la punta de 517
538022	RX-Pro® with Tip and hose	RX-Pro® avec l'embout et flexible	RX-Pro® con la punta y manguera
538033	RX-Pro® with HEA Tip and hose	RX-Pro® avec l'embout à HEA et flexible	RX-Pro® con la punta de HEA y manguera
550060	S-3 with 517 Tip	S-3 avec l'embout à 517	S-3 con la punta de 517
	M4 Airless Gun	Pistolet sans air M4	Pistola sin aire M4
Multi-spray gun manifolds • Collecteurs à plusieurs pistolets • Múltiples para varias pistolas pulverizadoras			
975-212	2-Gun Manifold with Ball Valves, 1/4"	Collecteur à deux pistolets avec soupapes à bille, 0,6 cm	Múltiple de 2 pistolas con válvulas de bola, 1/4"
975-213	3-Gun Manifold with Ball Valves, 1/4"	Collecteur à trois pistolets avec soupapes à bille, 0,6 cm	Múltiple de 3 pistolas con válvulas de bola, 1/4"
975-312	2-Gun Manifold with Ball Valves, 3/8"	Collecteur à deux pistolets avec soupapes à bille, 1 cm	Múltiple de 2 pistolas con válvulas de bola, 3/8"
975-313	3-Gun Manifold with Ball Valves, 3/8"	Collecteur à trois pistolets avec soupapes à bille, 1 cm	Múltiple de 3 pistolas con válvulas de bola, 3/8"
Spray tips and accessories • Embouts de pulvérisation et accessoires • Puntas de rociadora y accesorios			
662-XXX	SC-6+ Tip*	Embout à SC-6+*	Punta de SC-6+*
330-XXX	HEA Tip*	Embout à HEA*	Punta de HEA*
671-XXX	Synergy® Fine Finish Tip*	Embout à Synergy® Fine Finish*	Punta de Synergy® Fine Finish*
651-139	Tip Swivel	Pivot de buse	Dispositivo giratorio de la boquilla
Pump filter • Filtre de pompe • Filtro de bomba			
730-067-30	Coarse 30-Mesh Filter (Green)	Filtre à grosses 30-maillles (vert)	Filtro de 30-malla gruesa (verde)
730-067	Medium 60-Mesh Filter (White)	Filtre à 60-maillles moyennes (blanc)	Filtro de 60-malla media (blanco)
730-067-10	Fine 100-Mesh Filter (Yellow)	Filtre à 100-maillles fines (jaune)	Filtro de 100-malla fina (amarillo)
930-004	Paint Filter Element, 0 Mesh (for mastics)	Élément filtrant, 0 mesh (pour les mastics)	Elemento de filtro de pintura, malla 0 (para masilla)
930-005	Paint Filter Element, 5 Mesh (for multicolors and heavy materials)	Élément filtrant, 5 mesh (pour les produits multicolores et les produits lourds)	Elemento de filtro de pintura, malla 5 (para múltiples colores y materiales pesados)
930-006	Paint Filter Element, 50 Mesh (for latex and normal architectural materials)	Élément filtrant, 50 mesh (pour les peintures au latex et les produits d'architecture normaux)	Elemento de filtro de pintura, malla 50 (para látex y materiales arquitectónicos normales)
930-007	Paint Filter Elements, 100 Mesh (for stains, lacquers and fine materials)	Élément filtrant, 100 mesh (pour les teintures, les laques et les produits fins)	Elementos de filtro de pintura, malla 100 (para tinturas, lacas y materiales finos)
Gun filter • Filtre de pistolet • Filtro de pistola			
89957	Coarse Mesh Filter (Green)	Filtre à grosses mailles (vert)	Filtro de malla gruesa (verde)
0089958B	Medium Mesh Filter (White)	Filtre à mailles moyennes (blanc)	Filtro de malla media (blanco)
0089959A	Fine Mesh Filter (Yellow)	Filtre à mailles fines (jaune)	Filtro de malla fina (amarillo)

Extensions • Rallonges • Extensi3ns			
2418848	Packaged 5" Tip Extension	Rallonge de embout, 13 cm	Extensi3n de punta, 13 cm
2418850	Packaged 10" Tip Extension	Rallonge de embout, 25 cm	Extensi3n de punta, 25 cm
2418851	Packaged 20" Tip Extension	Rallonge de embout, 51 cm	Extensi3n de punta, 51 cm
2418852	Packaged 30" Tip Extension	Rallonge de embout, 76 cm	Extensi3n de punta, 76 cm
2418836	Bulk 5" Extension	Rallonge, 13 cm	Extensi3n, 13 cm
2418839	Bulk 10" Extension	Rallonge, 25 cm	Extensi3n, 25 cm
2418840	Bulk 20" Extension	Rallonge, 51 cm	Extensi3n, 51 cm
2418841	Bulk 30" Extension	Rallonge, 76 cm	Extensi3n, 76 cm
2418862	3' Extension Pole with swivel	Tige rallonge de 90 cm avec pivot	Barra de extensi3n de 90 cm con pivote
2418863	6' Extension Pole with swivel	Tige rallonge de 180 cm avec pivot	Barra de extensi3n de 180 cm con pivote
Airless hose and accessories • Flexible sans air et accessoires • Manguera sin aire y accesorios			
316-505	1/4" x 50' Airless Hose	Flexible sans air, 15,2 m x 0,6 cm	Manguera, 15,2 m x 0,6 cm
291006	3/8" x 50' Airless Hose	Flexible sans air, 15,2 m x 0,95 cm	Manguera, 15,2 m x 0,95 cm
316-506	3/16" x 5' Whip Hose	Flexible sans air, 1,5 m x 0,5 cm	Manguera, 1,5 m x 0,5 cm
0550063A	1/4" x 1/4" hose connector	Raccord de flexible (0,6 cm ² [1/4 po ²])	Acoplamiento de manguera, 1/4 x 1/4 de pulgada
0550064A	1/4" x 3/8" hose connector	Raccord de flexible, 0,6 cm x 0,95 cm	Acoplamiento de manguera, 1/4 x 3/8 de pulgada
550066	3/8" x 3/8" hose connector	Raccord de flexible (0,95 cm ² [3/8 po ²])	Acoplamiento de manguera, 3/8 x 3/8 de pulgada
2404445	Inner-Feed Roller™	Inner-Feed Roller™	Inner-Feed Roller™
2402013	Sprayroller™ with 3' pole	Sprayroller™ avec rallonge de 1 m	Sprayroller™ con extensi3n de 1 m
Lubricants and cleaners • Lubrifiants et nettoyeurs • Lubricantes y limpiadores			
314-482	LS-10 Liquid Shield™, 1 Quart	LS-10 Liquid Shield™, 0,95 l	LS-10 Liquid Shield™, 0,95 l
314-480	Piston Lube™, 8 oz	Piston Lube™, 8 oz.	Piston Lube™, 8 onzas
508071	Paint Mate, 1 quart	Paint Mate, 0,95 l	Paint Mate, 0,95 l
Service kits (optional) • Trousses de services (facultatif) • Juegos de servicio (opcional)			
0532437A	Complete fluid section	Section fluide, compl#te	Secci3n de fluidos, completa
2404631	Repacking kit	Trousse de tampon graisseurs	Juego de empaquetaduras

* Go to www.titantool.com for tip sizes / voir www.titantool.com pour les dimensions / visite www.titantool.com para conocer los tama#os



TITAN[®]

IMPACT[®] 1040T

PRODUCT REGISTRATION

Register your product online at www.titantool.com.

ENREGISTREMENT DU PRODUIT

Enregistrer votre appareil en ligne à www.titantool.com.

REGISTRO DEL PRODUCTO

Registre su producto en línea en www.titantool.com.

UNITED STATES SALES & SERVICE

WEB: www.titantool.com

PHONE: 1-800-526-5362

1770 Fernbrook Lane

Minneapolis, MN 55447

INTERNATIONAL

EMAIL: international@titantool.com